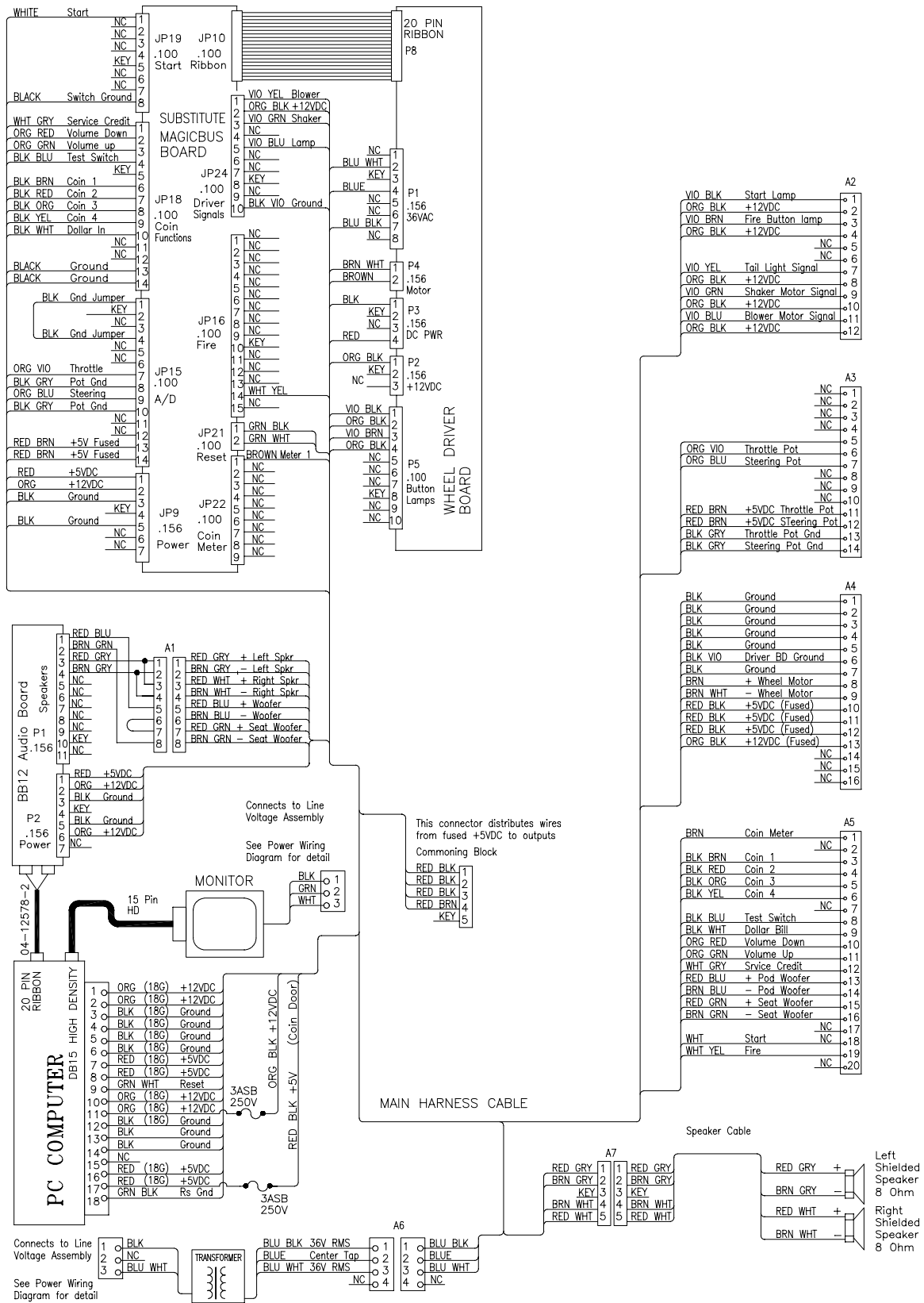
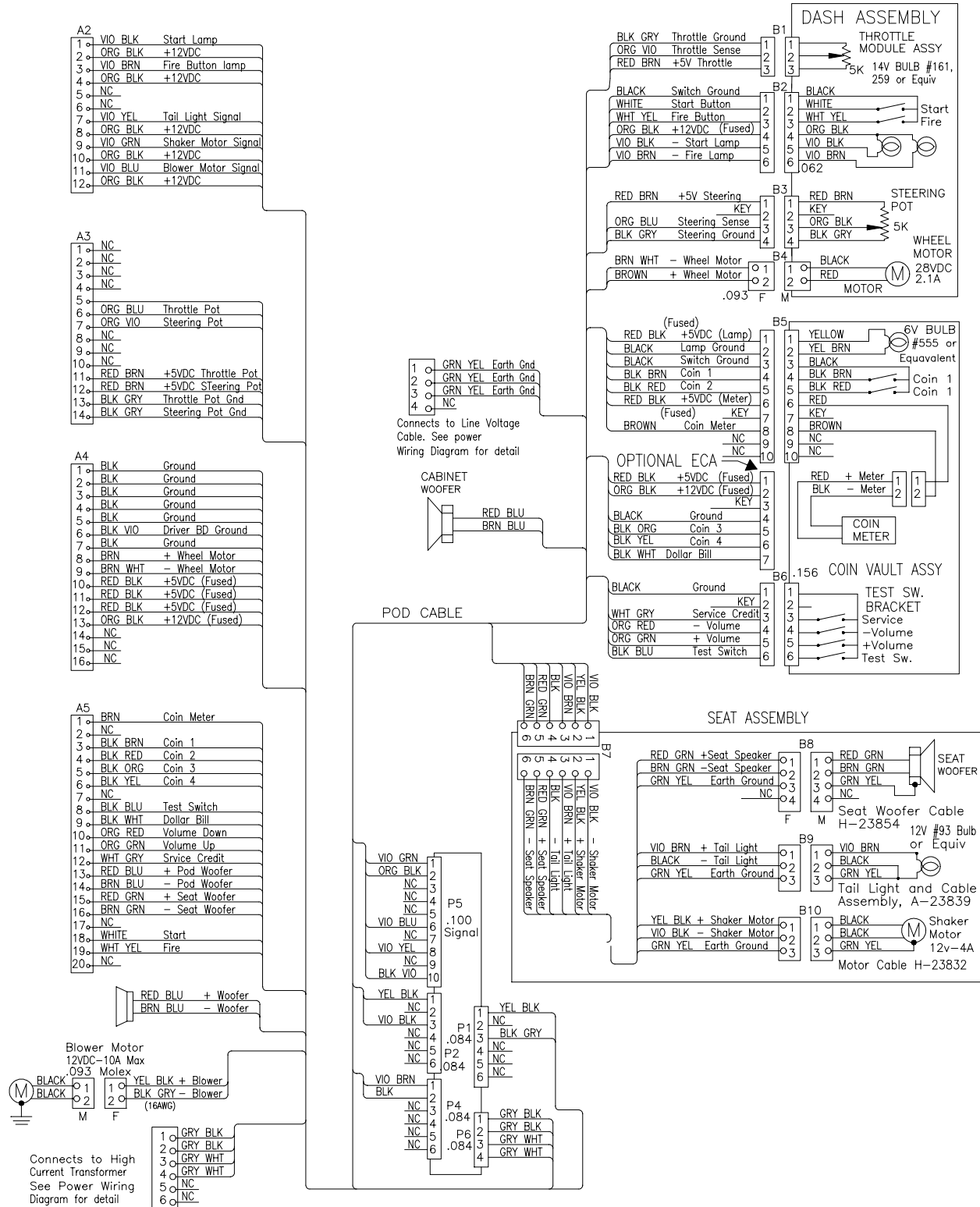


WIRING

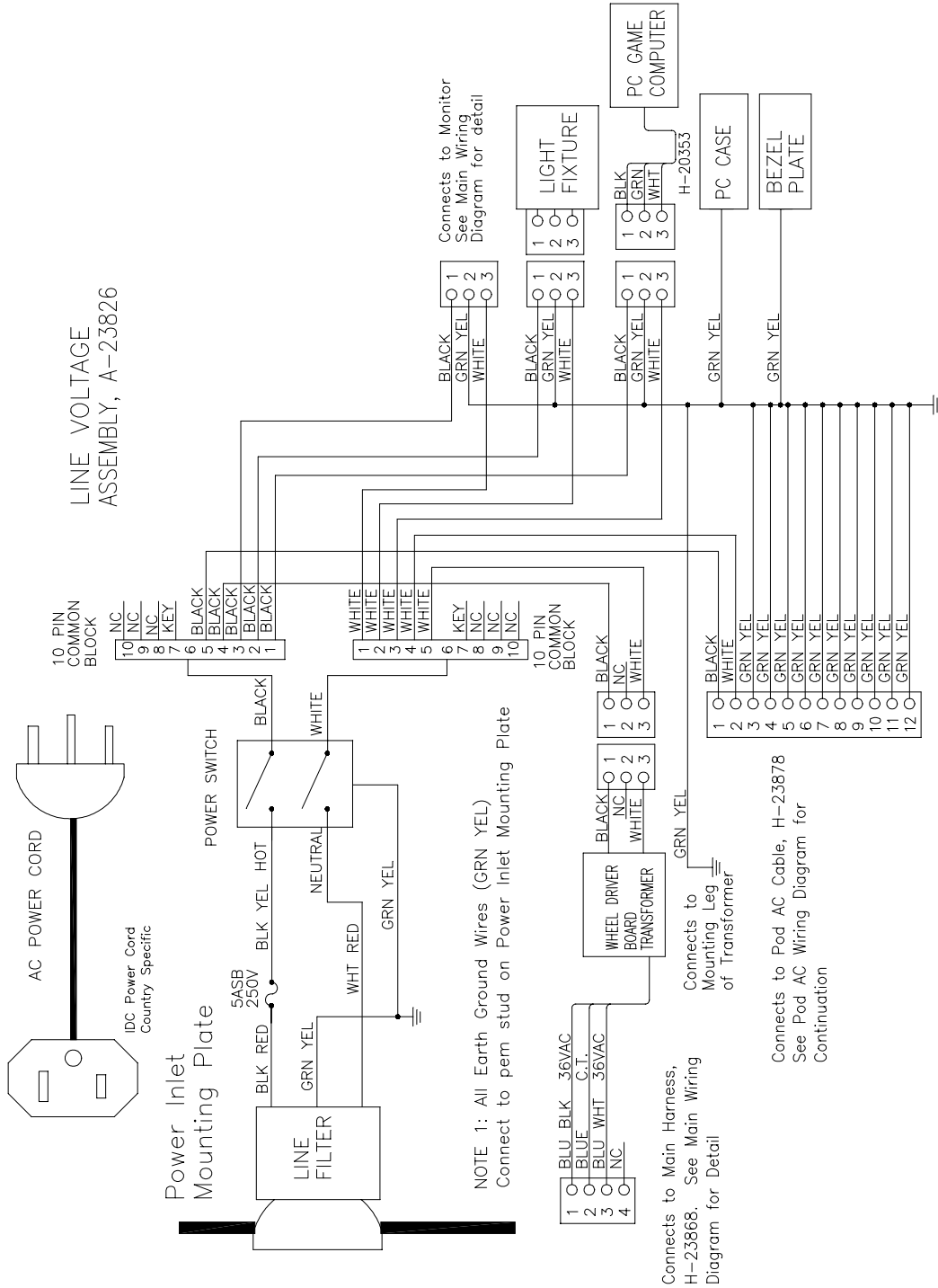
Main Cabinet Wiring



Pod Wiring



Power Wiring Diagram



SUBSTITUTE BOARD S1 DIP SWITCH SETTING TABLE

Function	Sw1	Sw2	Sw3	Sw4	Sw5	Sw6	Sw7	Sw8
Not Used Not Used	On Off							
Not Used Not Used		On Off						
Not Used Not Used			On Off					
Not Used Not Used				On Off				
Arctic Not Valid Position					On Off			
Not Used Not Used						On Off		
Not Used RS-232							On Off	
Disable Watchdog Enable Watchdog								On Off

Default position is shown in boldface type.

S2 DIP SWITCH TABLE

Function	Sw1	Sw2	Sw3	Sw4	Sw5	Sw6	Sw7	Sw8
Boot Diag Boot Game	On Off							
Not Used Not Used		On Off						
Not Used Not Used			On Off					
Not Used Not Used				On Off				
Not Used Not Used					On Off			
Not Used Not Used						On Off		
Not Used Not Used							On Off	
Not Used Not Used								On Off

Default position is shown in boldface type.

SUBSTITUTE BOARD LED INDICATOR STATUS TABLE

Designation	Location	Function	Color	State	Meaning
D 28	Near fuse F2 & JP15 connector	Indicator	Red	OFF ON BLINKING	No +5V +5V Present Intermittent +12V
D 25	Near fuse F1	Indicator	Red	OFF ON BLINKING	No +12V +12V Present Intermittent +12V
D 24	Near U5	Indicator	Red	OFF ON BLINKING	Not in use Communication error Normal operation
D 23	Near U5	Indicator	Red	OFF ON BLINKING	Not in use EEPROM Not Responding Normal operation
D 22	Near U5	Indicator	Red	OFF ON BLINKING	Not in use Security error Normal operation
D 21	Near U5	Indicator	Red	OFF ON BLINKING	Not in use Board reset Normal operation
D 17	Near U5	Indicator	Green	OFF ON BLINKING	Faulty Board Faulty Board Normal operation
D 18	Near U5	Indicator	Green	OFF ON BLINKING	Not in use Faulty Board Normal operation
D 14	Near U5	Indicator	Green	OFF ON BLINKING	Not in use Faulty Board Normal operation
D 20	Near U5	Indicator	Green	OFF ON BLINKING	Not in use Faulty Board Normal operation
D 26	Near JP9	Indicator	Red	OFF ON BLINKING	No power +5V present Intermittent power

AUDIO AMPLIFIER LED INDICATOR TABLE

Designation	Location	Function	Color	State	Meaning
LED 1 (CR1)	Upper Center Nearest C3	Fault Indicator	Red	Off	Normal Operation
				On	Locked-Up (note 1)
				Blinking	Overload (note 2)
LED 2 (CR2)	Lower Center Near U2 & U6	Fault Indicator	Red	Off	Normal Operation
				On	Locked-Up (note 1)
				Blinking	Overload (note 2)

Notes:

1. Active output protection circuit. To reset circuit, clear fault and switch off power.
2. Blinking caused by either intermittent audio overload or overheating. LED is only supposed to blink during start-up.

WHEEL DRIVER LED INDICATOR TABLE

Designation	Location	Function	Color	State	Meaning
LED 1	Right Center Nearest C5 & P2	Indicator	Red	Off	Not Used
				On	Normal Operation
				Blinking	Power Fault (note 1)

Notes:

1. The regulated power supply voltage source is monitored by LED 1, which should remain lit non-stop. Blinking or failure to illuminate indicates an intermittent connection, power problem, circuit fault, etc.

NOTES