

The PHOENIX THERMAL PRINTER



*Designed for Gaming, Kiosk and
Anywhere You Need a Printer !*



- ▲ USB Interface™ (Standard)
- ▲ Pot-O-Gold Interface (Standard)
- ▲ Pulse Interface (Standard) to convert coin hopper games to printer systems
- ▲ Time/Date Stamp applied to Tickets and Coupons using a Real Time Clock
- ▲ Integral Paper Cutter (Full & Partial Cut)
- ▲ Easy Panel Mounting
- ▲ Automated Paper Loading
- ▲ DIP Switch configurable
- ▲ Unique design with multiple patents pending
- ▲ Uses standard 58mm thermal paper
- ▲ Long life print head and cutter
- ▲ User-customizable coupons and tickets
- ▲ Flash memory upgradable
- ▲ We welcome custom applications!

1718 North Quail
Mesa, AZ 85205 USA
Tel: 480.507.0088
Fax: 480.507.1922



PYRAMID
TECHNOLOGIES, INC.

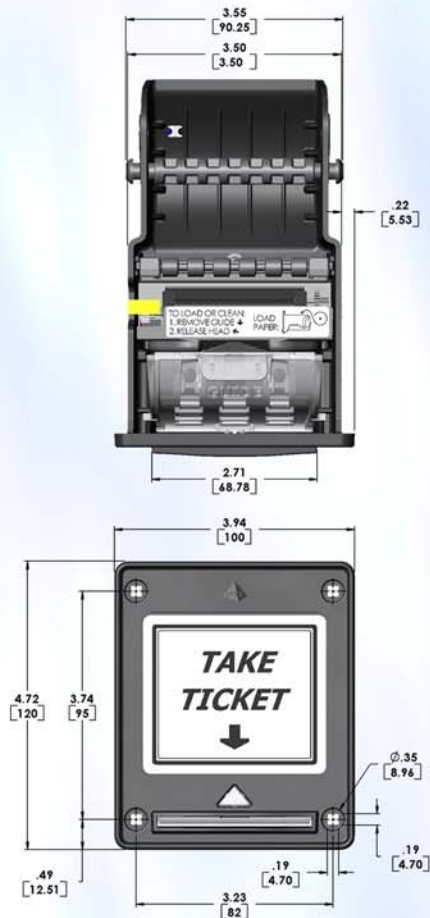
www.pyramidacceptors.com

Copyright © 2012 Pyramid Technologies, Inc.

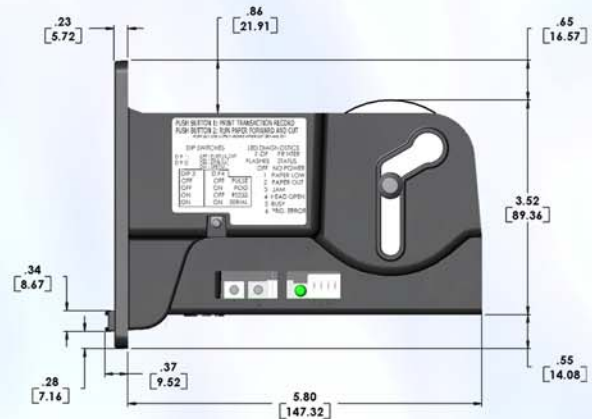


Made in U.S.A.

PHOENIX THERMAL PRINTER



DIMENSIONS



MODEL NUMBERS

- PHX1 - USB/Pulse Interface
- PHX2 - USB/Pulse/P.O.G. Interface

SPECIFICATIONS

- Operating Voltage: 12 VDC +/-10%
- Operating Currents: Idle=15mA, Operating=5A (Max)
- Operating Temperature: 0 to 60° C, 85% non-condensing humidity (Max)
- Print Speed: Approx. 1 coupon/ticket in three (3) seconds
- Paper Detection: Signals Paper Low and Paper Empty conditions
- Net Weight: 1.25 lbs.

ACCESSORIES

- Power Harness: Part Number 5P000
- P.O.G. Communication Harness: Part Number 5P001
- Serial RS232 (DB9) Harness: Part Number 5P002
- USB Communication Harness: Part Number 05AA0049
- Security Mounting Plate Kit: Part Number 95P02

