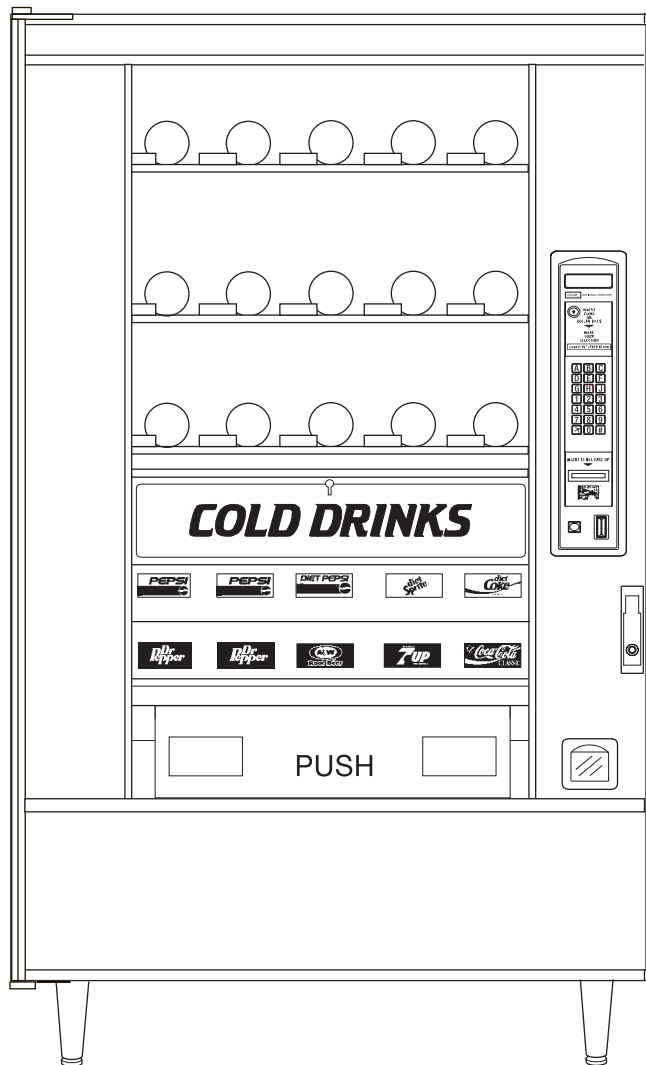


Models 797, 798

Expanded Snack Center



PARTS MANUAL

12955 Enterprise Way
Bridgeton, Missouri 63044-1200
(314) 298-3500

7970000

Copyright 4-99

LIST OF FIGURES

FigurePage

| | | |
|-----|--|-----|
| 1. | 797/798 Merchandiser | 1 |
| 2. | Trim - Millennia Style (Part 1 of 3) | 2 |
| 3. | Trim - Millennia Style (Part 2 of 3) | 4 |
| 4. | Trim - Millennia Style (Part 3 of 3) | 6 |
| 5. | 797 Trim Panels | 8 |
| 6. | 797 Standard Trim..... | 12 |
| 23. | Millennia Door Assembly | 22 |
| 24. | Standard Door Assembly | 24 |
| 25. | Upper Door Light Assembly - 115 V..... | 26 |
| 26. | Upper Door Light Assembly - 230 V..... | 28 |
| 27. | Glass Retainer With Side Light - Food Option | 30 |
| 28. | Fluorescent Light Side Assembly With Cover | 32 |
| 29. | Glass Retainer - Can Option | 34 |
| 30. | Lower Glass Support Panel Assembly | 36 |
| 31. | Door Glass and Glass Retaining Components..... | 37 |
| 32. | Upper Door Light Mounting..... | 38 |
| 33. | Lower Glass Support Panel..... | 39 |
| 34. | Coin Receptacle Assemblies..... | 40 |
| 35. | Millennia Door Lock and Handle Assembly..... | 42 |
| 36. | Door Lock and Handle Assembly..... | 44 |
| 37. | Door Lock Guard Accessory | 46 |
| 38. | Delivery Pan Assembly (Part 1) | 48 |
| 39. | Delivery Pan Assembly (Part 2) - Food Option Only..... | 50 |
| 40. | Delivery Pan Solenoid Lock Assembly - Food Option Only | 52 |
| 41. | Gum and Mint Assembly (Part 1)..... | 54 |
| 42. | Gum and Mint Assembly (Part 2)..... | 56 |
| 43. | Gum and Mint Assembly (Part 3)..... | 58 |
| 44. | Common Cabinet (Part 1 of 2)..... | 60 |
| 45. | Common Cabinet (Part 2 of 2)..... | 62 |
| 46. | Base Plate Assembly..... | 64 |
| 48. | Leg, Leveler, and Leg and Hinge Assemblies | 66 |
| 49. | Power Panel Assembly - 115 Volt | 68 |
| 50. | Power Panel Assembly - 230 Volt (France, Germany, Sweden)..... | 70 |
| 51. | Power Panel Assembly - 230 Volt (U.K., China) | 72 |
| 52. | Power Panel Assembly - 230 Volt (N.Z./Arg./Brz./L.A. 230/S.A. 230..... | 74 |
| 53. | Power Panel Assembly - Arg./Brz./L.A. 230 (Old Style) | 76 |
| 54. | Power Panel Assembly - Aus./N./Z. (Old Style) | 78 |
| 55. | Power Panel Assembly - 100 Volt - 50/60 Hz. (Japan) | 80 |
| 56. | Power Panel Assembly (Mexico) | 82 |
| 57. | Monetary Panel Assembly (Part 1 of 3) | 84 |
| 58. | Monetary Panel Assembly (Part 2 of 3) | 86 |
| 59. | Monetary Panel Assembly (Part 3 of 3) | 88 |
| 60. | Monetary Inserts - Upper Position | 90 |
| 61. | Monetary Inserts - Lower Position | 91 |
| 62. | Card Reader and Bill Validator Combinations..... | 92 |
| 63. | Snack Tray Assembly (Part 1 of 2) | 96 |
| 64. | Snack Tray Assembly (Part 2 of 2) | 98 |
| 65. | Candy Tray Assembly (Part 1 of 2)..... | 100 |
| 66. | Candy Tray Assembly (Part 2 of 2)..... | 102 |
| 67. | Gum and Mint Tray Assembly (Part 1 of 2) | 104 |
| 68. | Gum and Mint Tray Assembly (Part 2 of 2) | 106 |

Expanded Refreshment Center Parts Manual

FigurePage

| | | |
|-----|---|-----|
| 69. | 10-Select Can Option | 108 |
| 70. | Can Module Assembly | 110 |
| 71. | Frame Assembly | 112 |
| 72. | Miscellaneous Internal Parts | 114 |
| 73. | Ejector and Motor Assembly | 116 |
| 74. | Cabinet Parts - Expanded Food | 118 |
| 75. | Door Assembly - Food Module | 120 |
| 76. | Cold Food Module Assembly | 122 |
| 77. | Motor to Drive Arm Assemblies Connection Detail | 124 |
| 78. | Food Module Door Frame Assembly | 126 |
| 79. | Left Hand Drive Arm Assembly | 128 |
| 80. | Right Hand Drive Arm Assembly | 130 |
| 81. | Drive Arm Assembly Attachment Details | 132 |
| 82. | Motor Mounting Bracket Assembly | 134 |
| 83. | Food Module Cabinet Interior - Right Side (Part 1 of 2) | 136 |
| 84. | Food Module Cabinet Interior - Right Side (Part 2 of 2) | 138 |
| 85. | Cabinet Interior - Left Side View | 140 |
| 86. | Food Module Cabinet Interior - Section | 142 |
| 87. | Food Module Tray Frame Assembly | 144 |
| 88. | Spiral Tray Assembly - 5, 6, and 9 Motor | 146 |
| 89. | Belt Module Tray Assembly | 148 |
| 90. | Belt and Support Assembly - Single | 150 |
| 91. | Belt and Support Assembly - Dual | 152 |

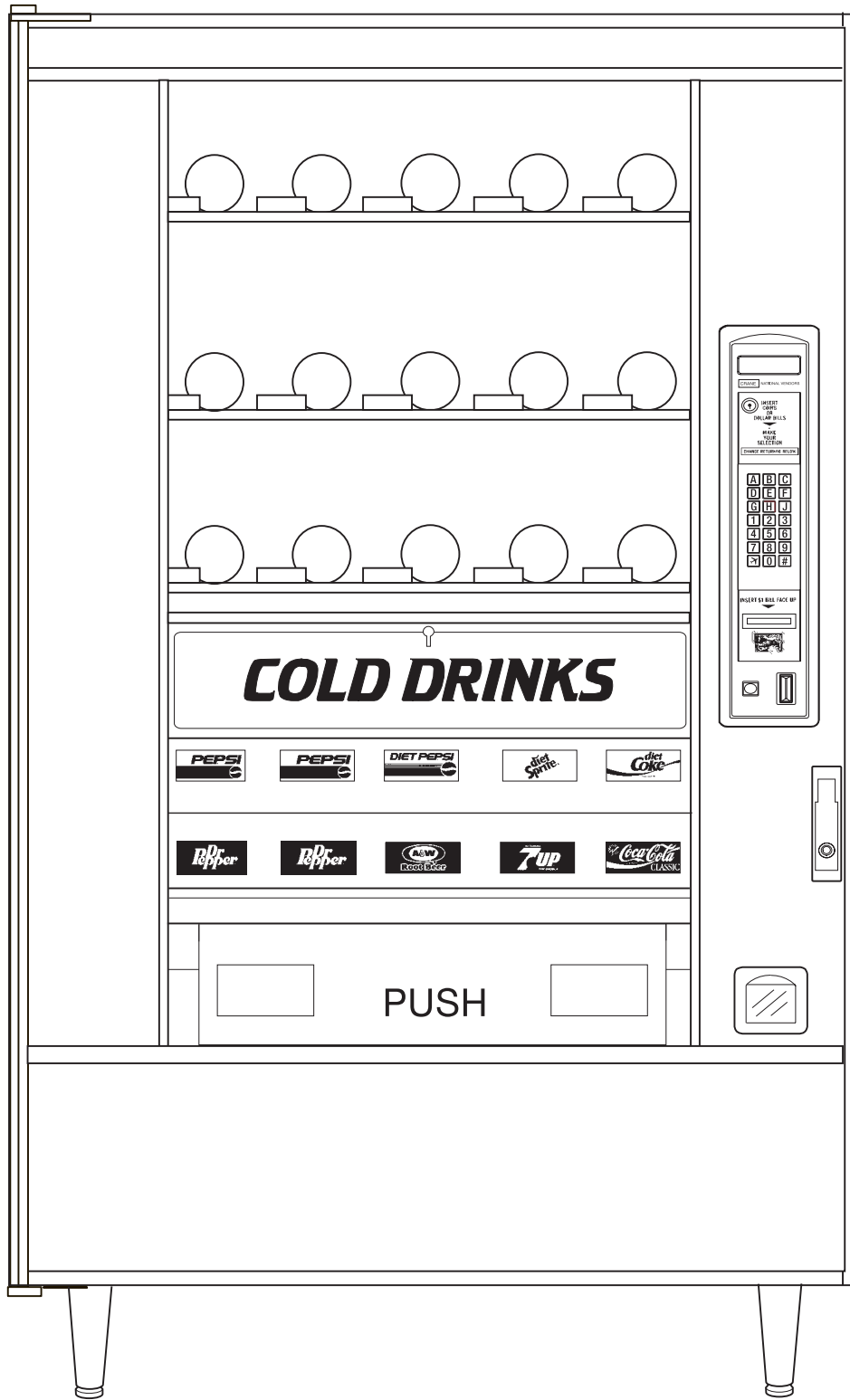
LIST OF TABLES

| TABLE | | PAGE |
|-------|---|------|
| 1. | TRIM - MILLENNIA STYLE (PART 1 OF 3) | 3 |
| 2. | TRIM - MILLENNIA STYLE (PART 2 OF 3) | 5 |
| 3. | TRIM - MILLENNIA STYLE (PART 3 OF 3) | 7 |
| 4. | 797 TRIM PANELS | 9 |
| 4 A. | TOP TRIM PANEL | 9 |
| 4 B. | RIGHT SIDE TRIM PANEL | 9 |
| 4 C. | BOTTOM TRIM PANEL | 10 |
| 4 D. | LEFT SIDE TRIM PANEL | 11 |
| 5. | 797 STANDARD TRIM | 13 |
| 6. | BAG ASSEMBLY B4970000 - CAN - 15 (U.S.) | 14 |
| 7. | BAG ASSEMBLY B4970006 - FOOD - 15 (U.S.) | 14 |
| 8. | BAG ASSEMBLY B4980001 - CAN - 1 (U.K.) | 15 |
| 9. | BAG ASSEMBLY B4980007 - FOOD - 1 (U.K.) | 15 |
| 10. | BAG ASSEMBLY B4980000 - CAN - 6-7-8 (FRANCE/GERMANY/SWEDEN) | 16 |
| 11. | BAG ASSEMBLY B4980004 - FOOD - 6-7 (FRANCE/GERMANY) | 16 |
| 12. | BAG ASSEMBLY B4980003 - CAN - 14 (ARGENTINA) | 17 |
| 13. | BAG ASSEMBLY B4980005 - FOOD - 14 (ARGENTINA) | 17 |
| 14. | BAG ASSEMBLY B4970003 - CAN - 5 (MEXICO) | 18 |
| 15. | BAG ASSEMBLY B4970007 - FOOD - 5 (MEXICO) | 18 |
| 16. | BAG ASSEMBLY B4980002 - CAN - 4 (BRAZIL) | 19 |
| 17. | BAG ASSEMBLY B4980006 - FOOD - 4 (BRAZIL) | 19 |
| 18. | BAG ASSEMBLY B4970001 - CAN - 3-4 (LATIN AMERICA/BRAZIL) | 20 |
| 19. | BAG ASSEMBLY B4970005 - CAN - 12 (NEW ZEALAND) | 20 |
| 20. | BAG ASSEMBLY B4640011 - 27 (SOUTH AFRICA) | 21 |
| 21. | BAG ASSEMBLY B4970008 - CAN - 31 (CHINA) | 21 |
| 22. | MILLENNIA DOOR ASSEMBLY | 23 |
| 23. | STANDARD DOOR ASSEMBLY | 25 |
| 24. | UPPER DOOR LIGHT ASSEMBLY - 115 V. | 27 |
| 25. | UPPER DOOR LIGHT ASSEMBLY - 230 V. | 29 |
| 26. | GLASS RETAINER WITH SIDE LIGHT - FOOD OPTION | 31 |
| 27. | FLUORESCENT LIGHT SIDE ASSEMBLY WITH COVER | 33 |
| 28. | GLASS RETAINER - CAN OPTION | 35 |
| 29. | LOWER GLASS SUPPORT PANEL ASSEMBLY | 36 |
| 30. | DOOR GLASS AND GLASS RETAINING COMPONENTS | 37 |
| 31. | UPPER DOOR LIGHT MOUNTING | 38 |
| 32. | LOWER GLASS SUPPORT PANEL | 39 |
| 33. | COIN RECEPTACLE ASSEMBLIES | 41 |
| 34. | MILLENNIA DOOR LOCK AND HANDLE ASSEMBLY | 43 |
| 35. | DOOR LOCK AND HANDLE ASSEMBLY | 45 |
| 36. | DOOR LOCK GUARD ACCESSORY | 47 |
| 37. | DELIVERY PAN ASSEMBLY (PART 1) | 49 |
| 38. | DELIVERY PAN ASSEMBLY (PART 2) - FOOD OPTION ONLY | 51 |
| 39. | DELIVERY PAN SOLENOID LOCK ASSEMBLY - FOOD OPTION ONLY | 53 |
| 40. | GUM AND MINT ASSEMBLY (PART 1) | 55 |
| 41. | GUM AND MINT ASSEMBLY (PART 2) | 57 |
| 42. | GUM AND MINT ASSEMBLY (PART 3) | 59 |
| 43. | COMMON CABINET (PART 1 OF 2) | 61 |
| 44. | COMMON CABINET (PART 2 OF 2) | 63 |
| 45. | BASE PLATE ASSEMBLY | 65 |
| 46. | CABINET INSULATION (MODEL 798 ONLY) | 65 |
| 47. | LEG, LEVELER, AND LEG AND HINGE ASSEMBLIES | 67 |

Expanded Refreshment Center Parts Manual

| TABLE | PAGE |
|--|------|
| 48. POWER PANEL ASSEMBLY - 115 VOLT | 69 |
| 49. POWER PANEL ASSEMBLY - 230 VOLT (FRANCE, GERMANY, SWEDEN) | 71 |
| 50. POWER PANEL ASSEMBLY - 230 VOLT (U.K., CHINA) | 73 |
| 51. POWER PANEL ASSEMBLY - 230 VOLT (N.Z./ARG./BRZ./L.A. 230/S.A. 230) | 75 |
| 52. POWER PANEL ASSEMBLY - ARG./BRZ./L.A. 230 (OLD STYLE) | 77 |
| 53. POWER PANEL ASSEMBLY - AUS./N./Z. (OLD STYLE) | 79 |
| 54. POWER PANEL ASSEMBLY - 100 VOLT - 50/60 HZ. (JAPAN) | 81 |
| 55. POWER PANEL ASSEMBLY (MEXICO) | 83 |
| 56. MONETARY PANEL ASSEMBLY (PART 1 OF 3) | 85 |
| 57. MONETARY PANEL ASSEMBLY (PART 2 OF 3) | 87 |
| 58. MONETARY PANEL ASSEMBLY (PART 3 OF 3) | 89 |
| 61. CARD READER AND BILL VALIDATOR COMBINATIONS | 93 |
| 61 A. MONETARY LOCATION OPTIONS | 93 |
| 61 B. COIN MECHANISM OPTIONS | 94 |
| 61 C. BILL VALIDATOR OPTIONS | 95 |
| 61 D. CARD READER OPTIONS | 95 |
| 62. SNACK TRAY ASSEMBLY (PART 1 OF 2) | 97 |
| 63. SNACK TRAY ASSEMBLY (PART 2 OF 2) | 99 |
| 64. CANDY TRAY ASSEMBLY (PART 1 OF 2) | 101 |
| 65. CANDY TRAY ASSEMBLY (PART 2 OF 2) | 103 |
| 66. GUM AND MINT TRAY ASSEMBLY (PART 1 OF 2) | 105 |
| 67. GUM AND MINT TRAY ASSEMBLY (PART 2 OF 2) | 107 |
| 67 A. SPIRAL OPTIONS | 107 |
| 68. 10-SELECT CAN OPTION | 109 |
| 69. CAN MODULE ASSEMBLY | 111 |
| 70. FRAME ASSEMBLY | 113 |
| 71. MISCELLANEOUS INTERNAL PARTS | 115 |
| 72. EJECTOR AND MOTOR ASSEMBLY | 117 |
| 73. CABINET PARTS - EXPANDED FOOD | 119 |
| 74. DOOR ASSEMBLY - FOOD MODULE | 121 |
| 75. COLD FOOD MODULE ASSEMBLY | 123 |
| 76. MOTOR TO DRIVE ARM ASSEMBLIES CONNECTION DETAIL | 125 |
| 77. FOOD MODULE DOOR FRAME ASSEMBLY | 127 |
| 78. LEFT HAND DRIVE ARM ASSEMBLY | 129 |
| 79. RIGHT HAND DRIVE ARM ASSEMBLY | 131 |
| 80. DRIVE ARM ASSEMBLY ATTACHMENT DETAILS | 133 |
| 81. MOTOR MOUNTING BRACKET ASSEMBLY | 135 |
| 82. FOOD MODULE CABINET INTERIOR - RIGHT SIDE (PART 1 OF 2) | 137 |
| 83. FOOD MODULE CABINET INTERIOR - RIGHT SIDE (PART 2 OF 2) | 139 |
| 84. CABINET INTERIOR - LEFT SIDE VIEW | 141 |
| 85. FOOD MODULE CABINET INTERIOR - SECTION | 143 |
| 86. FOOD MODULE TRAY FRAME ASSEMBLY | 145 |
| 87. SPIRAL TRAY ASSEMBLY - 5, 6, AND 9 MOTOR | 147 |
| 87 A. SPIRAL OPTIONS | 147 |
| 88. BELT MODULE TRAY ASSEMBLY | 149 |
| 89. BELT AND SUPPORT ASSEMBLY - SINGLE | 151 |
| 90. BELT AND SUPPORT ASSEMBLY - DUAL | 153 |
| 91. REFRIGERATION UNIT COMPONENTS | 154 |

Expanded Refreshment Center Parts Manual



157p0289

Figure 1. 797/798 Merchandiser

Expanded Refreshment Center Parts Manual

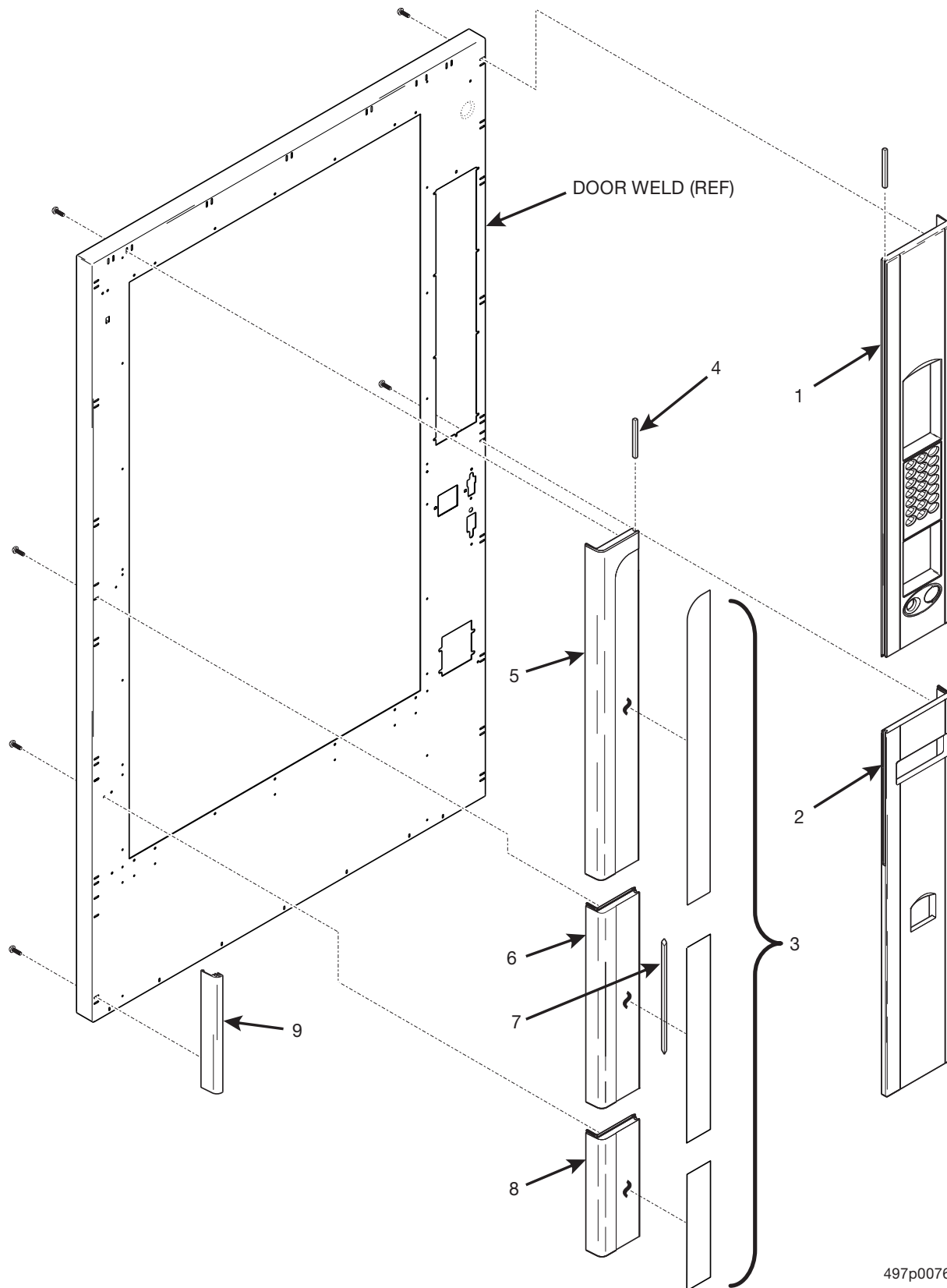


Figure 2. Trim - Millennium Style (Part 1 of 3)

Expanded Refreshment Center Parts Manual

TABLE 1. TRIM - MILLENNIA STYLE (PART 1 OF 3)

| <i>INDEX</i> | <i>PART NUMBER</i> | <i>DESCRIPTION</i> | <i>QTY.</i> |
|--------------|--------------------|-------------------------------------|-------------|
| 1 | 1572213 | RIGHT HAND TRIM - UPPER - "A-21" | 1 |
| 2 | 1572214 | RIGHT HAND TRIM - LOWER - "B" | 1 |
| 3 | 1572258 | DECAL - DOOR TRIM VERTICAL ASSEMBLY | 1 |
| 4 | 1572259 | FILLER - GROOVE - SHORT | 2 |
| 5 | 1572215 | LEFT HAND TRIM - UPPER - "C" | 1 |
| 6 | 1572216 | LEFT HAND TRIM - MIDDLE - "D" | 1 |
| 7 | 1572260 | FILLER - GROOVE - LONG | 1 |
| 8 | 1572217 | LEFT HAND TRIM - BOTTOM - "E" | 1 |
| 9 | 1572267 | TRIM - LOWER - DOOR SIDE - GRAY | 1 |
| | 1572324 | TRIM - LOWER - DOOR SIDE - BLACK | |

Expanded Refreshment Center Parts Manual

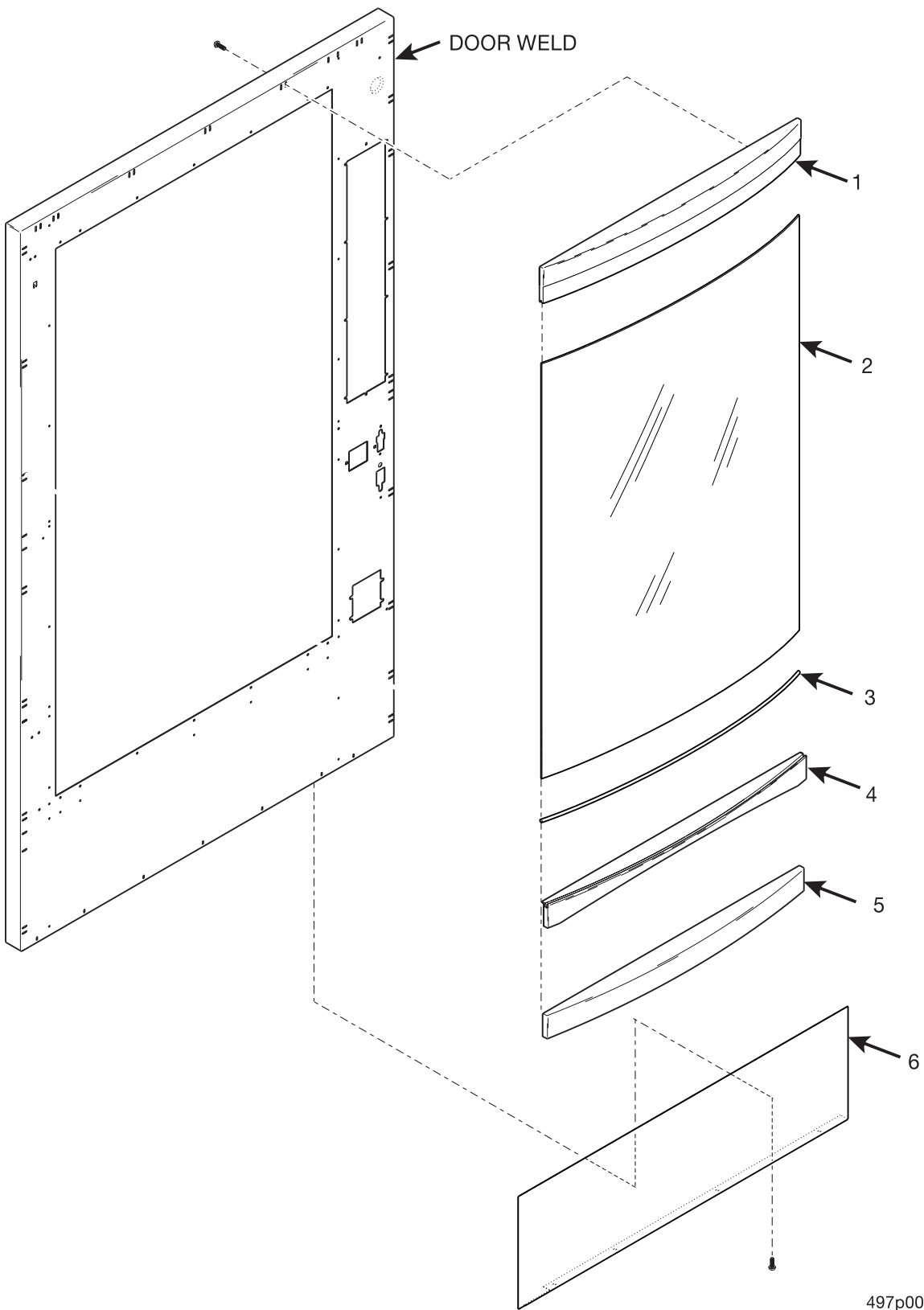


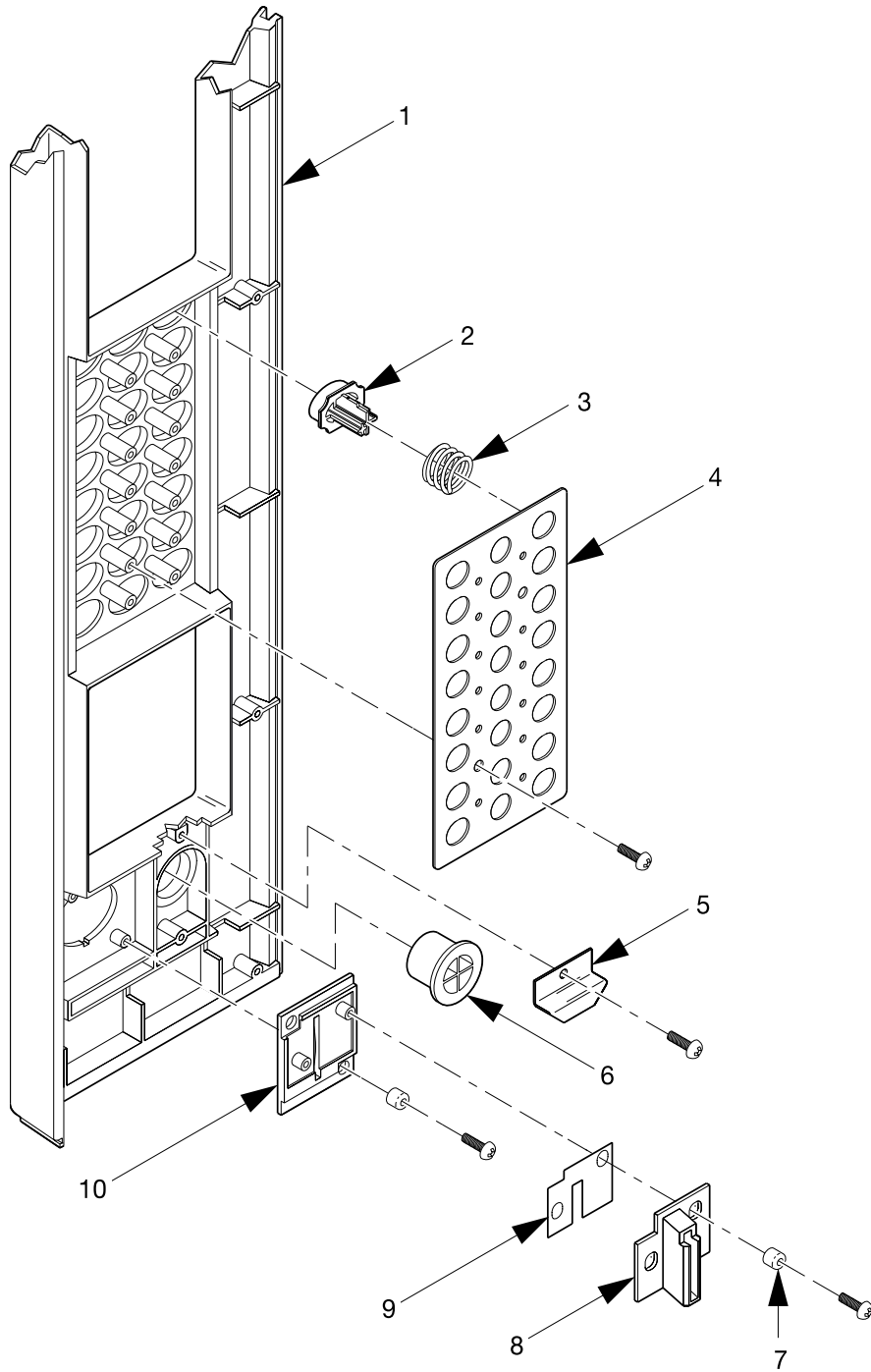
Figure 3. Trim - Millennium Style (Part 2 of 3)

Expanded Refreshment Center Parts Manual

TABLE 2. TRIM - MILLENNIA STYLE (PART 2 OF 3)

| <i>INDEX</i> | <i>PART NUMBER</i> | <i>DESCRIPTION</i> | <i>QTY.</i> |
|--------------|--------------------|--|-------------|
| 1 | 4972120 | P.O.P. PANEL AND DECAL ASSEMBLY | 1 |
| 2 | 4972101 | GLASS - CURVED FRONT - 40 INCH - RC4 | 1 |
| 3 | 4972113 | GLASKET - GLASS | 1 |
| 4 | 4972201 | HORIZONTAL TRIM - UPPER - 40 INCH - "J2" | 1 |
| 5 | 4972202 | HORIZONTAL TRIM - LOWER - 40 INCH - "K2" | 1 |
| 6 | 4972152 | TRIM - LOWER DOOR SIDE - GRAY | 1 |
| | 4972153 | TRIM - LOWER DOOR SIDE - BLACK | |

Expanded Refreshment Center Parts Manual



363p023C

Figure 4. Trim - Millennium Style (Part 3 of 3)

Expanded Refreshment Center Parts Manual

TABLE 3. TRIM - MILLENNIA STYLE (PART 3 OF 3)

| <i>INDEX</i> | <i>PART NUMBER</i> | <i>DESCRIPTION</i> | <i>QTY.</i> |
|--------------|--------------------|-------------------------------|-------------|
| 1 | 1572213 | R.H. TRIM - UPPER - "A21" | 1 |
| 2 | 1572212 | ARRAY - PUSH BUTTON SELECTION | 1 |
| 3 | 1572224 | SPRING - PUSH BUTTON | 2 |
| 4 | 1572223 | PLATE - STOP BUTTONS | 1 |
| 5 | 1572292 | RETAINER - RETURN BUTTON | 1 |
| 6 | 1572210 | COIN RETURN BUTTON - "A-2" | 1 |
| 7 | 2302053 | SPACER CUP | 4 |
| 8 | 1572323 | EXTENSION - COIN INSERT | 1 |
| 9 | 1472222 | COIN BLOCK | 1 |
| 10 | 1572209 | COIN INSERT - "A-1" | 1 |

Expanded Refreshment Center Parts Manual

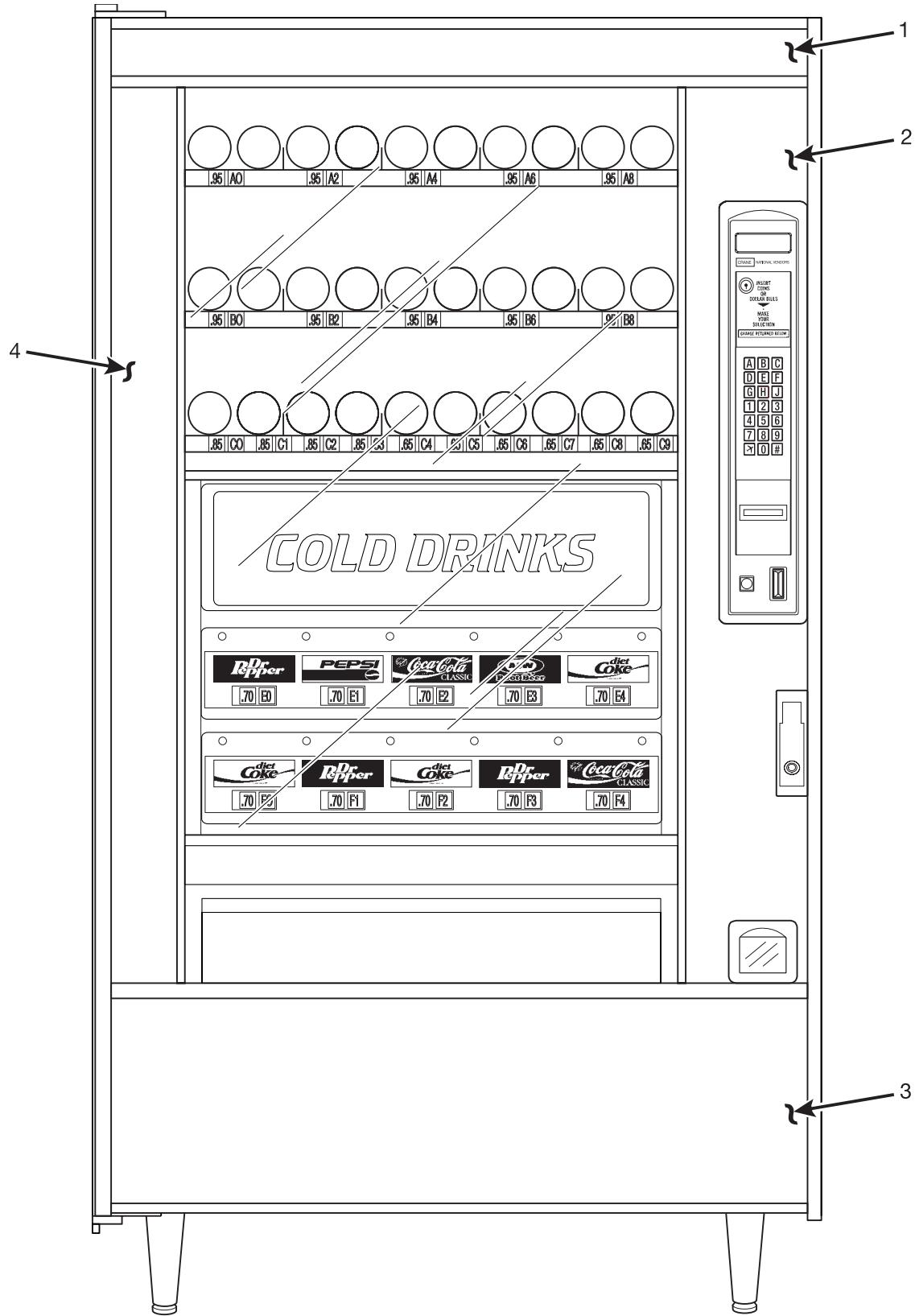


Figure 5. 797 Trim Panels

497p0025

Expanded Refreshment Center Parts Manual

TABLE 4. 797 TRIM PANELS

| INDEX | PART NUMBER | DESCRIPTION | QTY. |
|-------|-------------|--|------|
| 1 | - | TOP TRIM PANEL (SEE FIGURE 4 A FOR DETAILS) | 1 |
| 2 | - | RIGHT SIDE TRIM PANEL (SEE FIGURE 4 B FOR DETAILS) | 1 |
| 3 | - | BOTTOM TRIM PANEL (SEE FIGURE 4 C FOR DETAILS) | 1 |
| 4 | - | LEFT SIDE TRIM PANEL (SEE FIGURE 4 D FOR DETAILS) | 1 |

TABLE 4 A. TOP TRIM PANEL

| PART NUMBER | DESCRIPTION |
|-------------|---------------------|
| 1472019 | PRESIDENTIAL WALNUT |
| 1472101 | BLACK HAIRCELL |
| 1472121 | ENAMELED |
| 1472150 | VINYL SPECIAL |
| 1472160 | STERLING |
| 1472168 | TEAK |
| 1472176 | FORMICA SPECIAL |
| 1472283 | WHITE HAIRCELL |
| 1472289 | SLATE |
| 1472294 | BLACK PICA |
| 1472308 | BISON BLACK |
| 1472321 | NU WHITE |

TABLE 4 B. RIGHT SIDE TRIM PANEL

| PART NUMBER | DESCRIPTION |
|-------------|-----------------------|
| 1572101 | STERLING WITH COIN |
| 1572106 | BLACK PICA |
| 1572115 | COMP OAK |
| 1572118 | DOVE GREY |
| 1572121 | STERLING WITHOUT COIN |
| 1572123 | ENAMELED |
| 1572130 | NU WHITE |
| 1572139 | MOROCCO GREY |
| 1572141 | PEWTER |
| 1572144 | PLATINUM GREY |
| 1572149 | PRESIDENTIAL WALNUT |
| 1572160 | VINYL SPECIAL |
| 1572163 | WHITE HAIRCELL |
| 1572195 | PORT AU PRINCE |

Expanded Refreshment Center Parts Manual

TABLE 4 C. BOTTOM TRIM PANEL

| <i>PART NUMBER</i> | <i>DESCRIPTION</i> |
|--------------------|---------------------|
| 1472213 | COMP OAK |
| 1472216 | PLATINUM GREY |
| 1472232 | PRESIDENTIAL WALNUT |
| 1472234 | FORMICA SPECIAL |
| 1472235 | DOVE |
| 1472237 | ENAMELED |
| 1472238 | VINYL SPECIAL |
| 1472239 | STERLING |
| 1472241 | TEAK |
| 1472242 | SLATE |
| 1472243 | BLACK HAIRCELL |
| 1472248 | PEWTER |
| 1472286 | WHITE HAIRCELL |
| 1472297 | BLACK PICA |
| 1472311 | BISON BLACK |
| 1472322 | NU WHITE |

Expanded Refreshment Center Parts Manual

TABLE 4 D. LEFT SIDE TRIM PANEL

| <i>PART NUMBER</i> | <i>DESCRIPTION</i> |
|--------------------|---------------------|
| 1572100 | STERLING |
| 1572105 | BLACK PICA |
| 1572114 | COMP OAK |
| 1572117 | DOVE GREY |
| 1572122 | ENAMELED |
| 1572129 | NU WHITE |
| 1572138 | MOROCCO GREY |
| 1572140 | PEWTER |
| 1572143 | PLATINUM GREY |
| 1572148 | PRESIDENTIAL WALNUT |
| 1572159 | VINYL SPECIAL |
| 1572162 | WHITE HAIRCELL |
| 1572194 | PORT AU PRINCE |

Expanded Refreshment Center Parts Manual

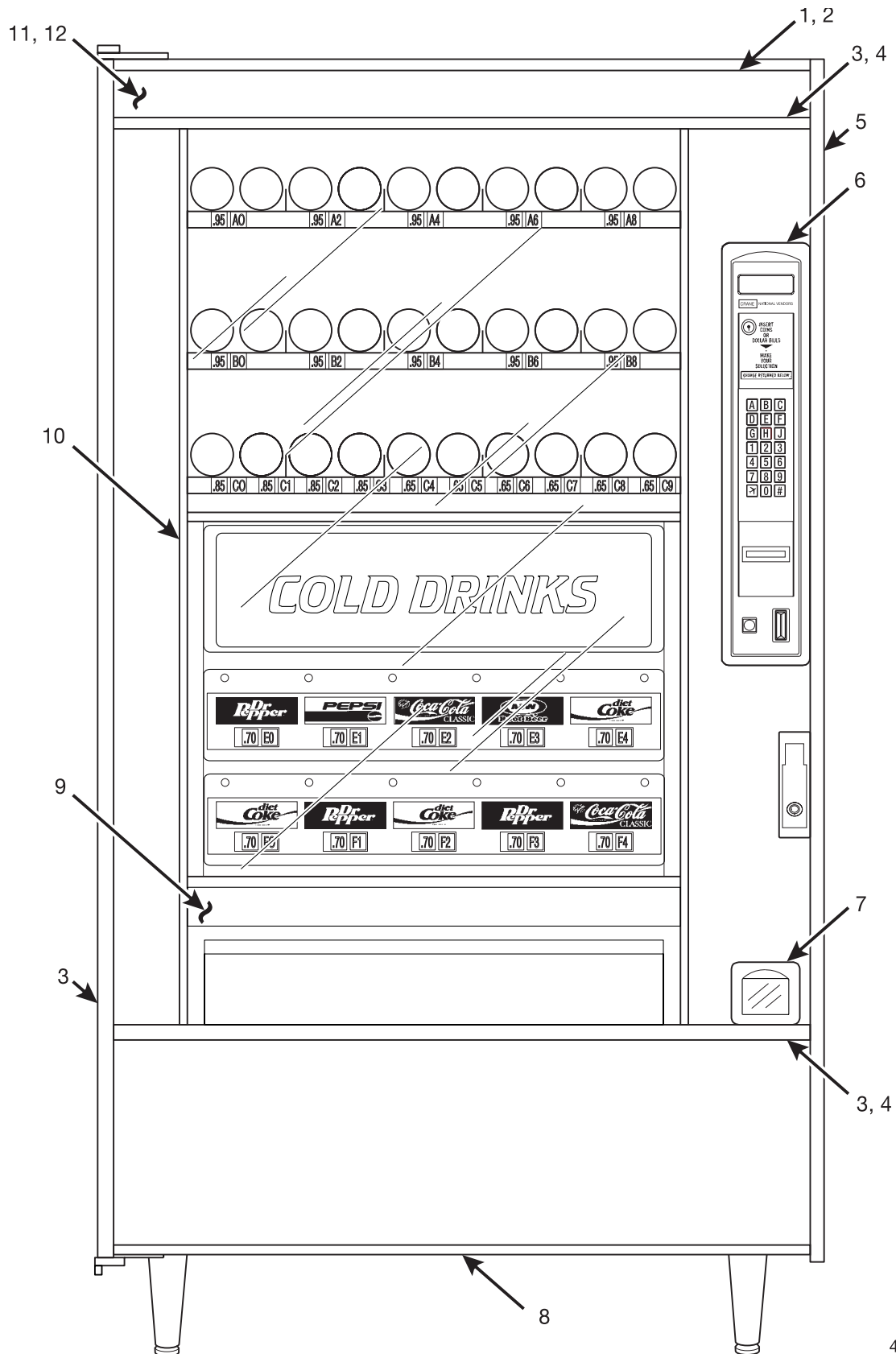


Figure 6. 797 Standard Trim

497p0026

Expanded Refreshment Center Parts Manual

TABLE 5. 797 STANDARD TRIM

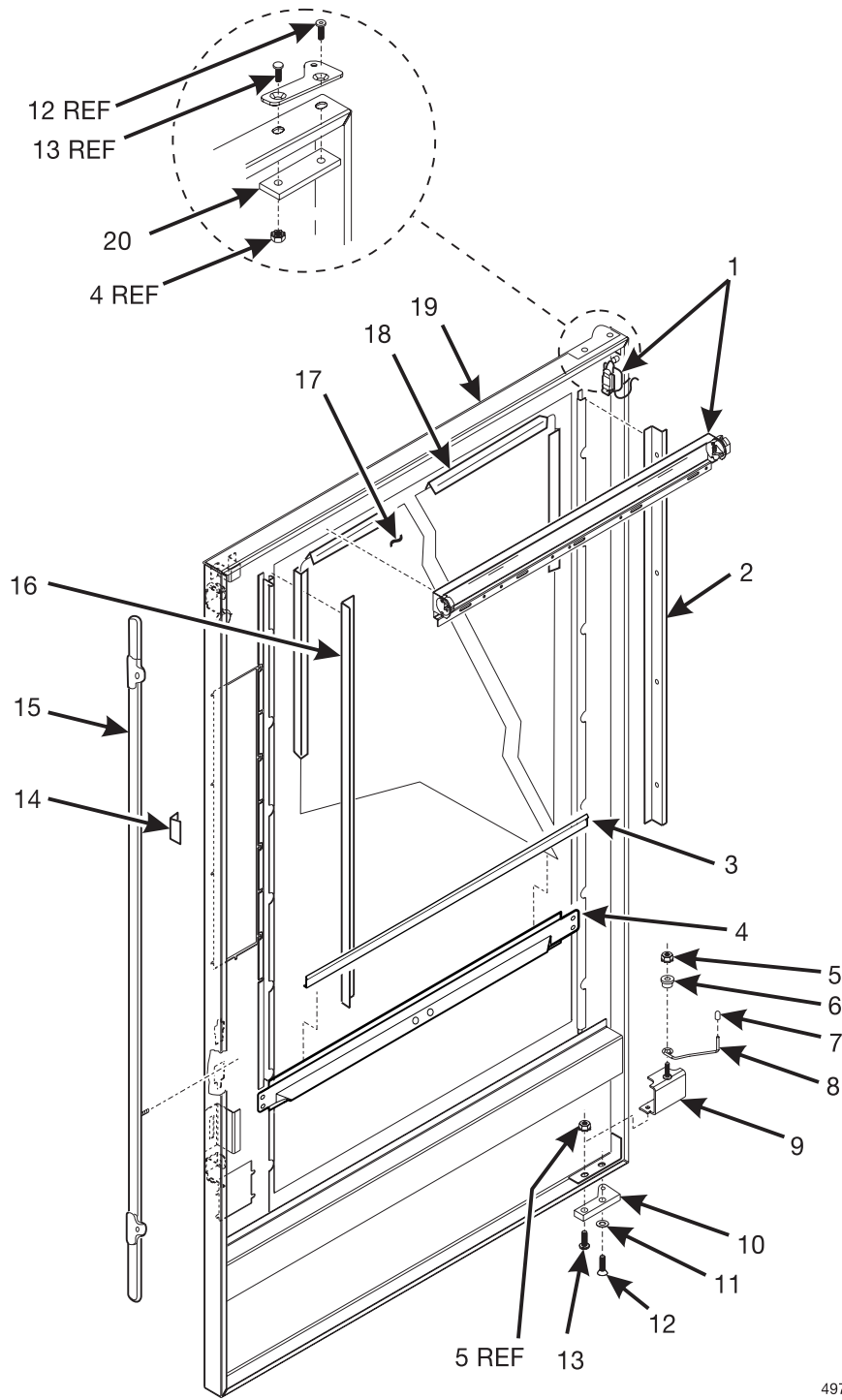
| INDEX | PART NUMBER | DESCRIPTION | QTY. |
|-------|-------------|---|------|
| 1 | 1472025 | TRIM - DOOR - TOP (CLEAR) (ARA AND IMPERIAL CROWN STYLES) | 1 |
| | 1472097 | TRIM - DOOR - TOP (BLACK) (SIGNATURE STYLE) | |
| 2 | 1472026 | TRIM - INSERT (BLACK) | 1 |
| 3 | 1472028 | TRIM - DOOR - HORIZONTAL (CLEAR) (ARA AND IMPERIAL CROWN STYLE) | 2 |
| 4 | 1472026 | TRIM - INSERT (BLACK) | 1 |
| 5 | 1302409 | TRIM - DOOR SIDE (CLEAR) (ARA AND IMPERIAL CROWN STYLES) | 2 |
| | 1452203 | TRIM - DOOR - SIDE - BLACK - IBM (SIGNATURE STYLE) | |
| 6 | 1575047 | CASTING - MONETARY FRAME - BLACK | 1 |
| 7 | 1522011 | TRIM - COIN CUP - BLACK | 1 |
| 8 | 1472245 | EDGE PROTECTOR - BOTTOM | 1 |
| 9 | 4972046 | TRIM PANEL - GLASS - LOWER | 1 |
| 10 | 1472190 | TRIM - VERTICAL | 2 |
| 11 | 4302281 | INSERT - ARA - BLACK - 38.38 INCHES (ARA STYLE) | - |
| 12 | 4852013 | TRIM - TOP - ARA (CLEAR) (ARA STYLE) | 1 |

Expanded Refreshment Center Parts Manual

TABLE 6. MILLENNIA DOOR ASSEMBLY

| <i>INDEX</i> | <i>PART NUMBER</i> | <i>DESCRIPTION</i> | <i>QTY.</i> |
|--------------|--------------------|---|-------------|
| 1 | 6152118 | BALLAST ASSEMBLY - CABINET LIGHT (SEE FIGURE 9 FOR DETAILS) (SEE FIGURE 10 FOR DETAILS) | 1 |
| 2 | 4972107 | RETAINER - GLASS - WITH SIDE LIGHT (SEE FIGURE 11 FOR DETAILS) | 1 |
| 3 | 1572020 | RETAINER - GLASS - LARGE SNACK - NV BLACK (SEE FIGURE 13 FOR DETAILS) | OPT. |
| 4 | 1572017 | LIGHT ASSEMBLY - UPPER - DOOR (SEE FIGURE 9 FOR DETAILS) (SEE FIGURE 10 FOR DETAILS) | 1 |
| 5 | 4972141 | PANEL ASSEMBLY - GLASS - LOWER (SEE FIGURE 14 FOR DETAILS) | 1 |
| 6 | 1211105 | 1/4-20 KEPS NUT - EXT LW - ZP | 3 |
| 7 | 1142017 | BUSHING - DOOR CHECK | 1 |
| 8 | 1571037 | CAP - VINYL - .281 ID X .50 LONG | 1 |
| 9 | 1572009 | ROD - DOOR CHECK | 1 |
| 10 | 1572007 | WELD ASSEMBLY - DOOR CHECK | 1 |
| 11 | 6232031 | HINGE ASSEMBLY - DOOR - LOWER | 1 |
| 12 | 4242145 | BEARING - THRUST - LOWER HINGE | 1 |
| 13 | 6232036 | SCREW - 5/16-18 X .75 FLT. HD. SOCKET | 2 |
| 14 | 6232208 | WELD SCREW - #1/4-20 X 1 IN LONG | 2 |
| 15 | 1572196 | CHANNEL - FILLER - LOCK (CAPTURED BY TRIM SCREWS) | 1 |
| 16 | 1472250 | GUIDE - LOCK BAR | 1 |
| 17 | 1472178 | LOCK BAR ASSEMBLY | 1 |
| 18 | 1472048 | PLATE - GLASS RETAINING | 1 |
| 19 | 1572243 | SPACER - GLASS RETAINER (SEE FIGURE 15 FOR DETAILS) | |
| 20 | 4972106 | SPACER - LIGHT BRACKET (SEE FIGURE 16 FOR DETAILS) | 1 |
| 21 | 6232028 | PLATE ASSEMBLY - HINGE MOUNTING | 1 |
| 22 | 4972185 | DOOR WELD - BLACK | 1 |

Expanded Refreshment Center Parts Manual



497P0067

Figure 8. Standard Door Assembly

Expanded Refreshment Center Parts Manual

TABLE 7. STANDARD DOOR ASSEMBLY

| INDEX | PART NUMBER | DESCRIPTION | QTY. |
|-------|-------------|---|------|
| 1 | - | (SEE FIGURE 9 FOR DETAILS) | - |
| 2 | - | (SEE FIGURE 12 FOR DETAILS) (SEE FIGURE 13 FOR DETAILS) | - |
| 3 | 4972047 | CHANNEL - GLASS - LOWER | 1 |
| 4 | 4972141 | PANEL ASSY-GLASS-LOWER | 1 |
| 5 | 1211105 | 1/4-20 KEPS NUT - EXT LW - ZP | 2 |
| 6 | 1142017 | BUSHING -DOOR CHECK | 1 |
| 7 | 1571037 | CAP - VINYL - .281 I.D. X .50 LONG | 1 |
| 8 | 1572009 | ROD - DOOR CHECK | 1 |
| 9 | 1572007 | WELD ASSEMBLY - DOOR CHECK | 1 |
| 10 | 6232031 | HINGE ASSEMBLY - DOOR - LOWER | 1 |
| 11 | 4242145 | BEARING - THRUST - LOWER HINGE | 1 |
| 12 | 6232036 | SCREW - 5/16-18 X .75 FLT HD. SOCKET | 2 |
| 13 | 6232208 | WELD SCREW #1/4-20 X 1 IN LONG | 2 |
| 14 | 1472250 | GUIDE - LOCK BAR | 1 |
| 15 | 1472178 | LOCK BAR ASSEMBLY | 1 |
| 16 | 1472048 | PLATE - GLASS RETAINING | 1 |
| 17 | 4972048 | GLASS - DISPLAY | OPT |
| | 4972108 | LEXAN - DISPLAY GLASS | |
| 18 | 2222124 | CHANNEL - GLASS - HORIZONTAL AND VERTICAL (114.18") | - |
| 19 | 4972185 | DOOR WELD - PAINTED - N.V. BLACK | 1 |
| 20 | 6232028 | PLATE ASSEMBLY - HINGE MOUNTING | 1 |

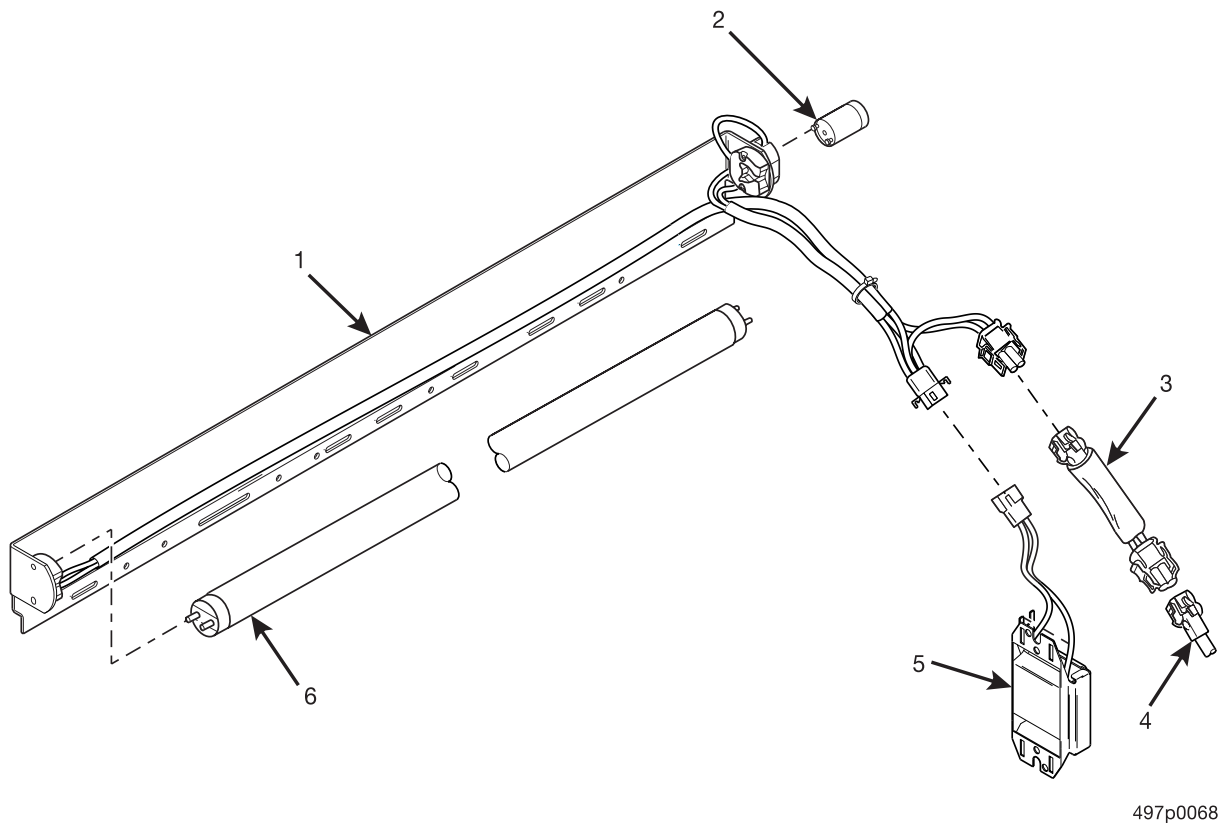
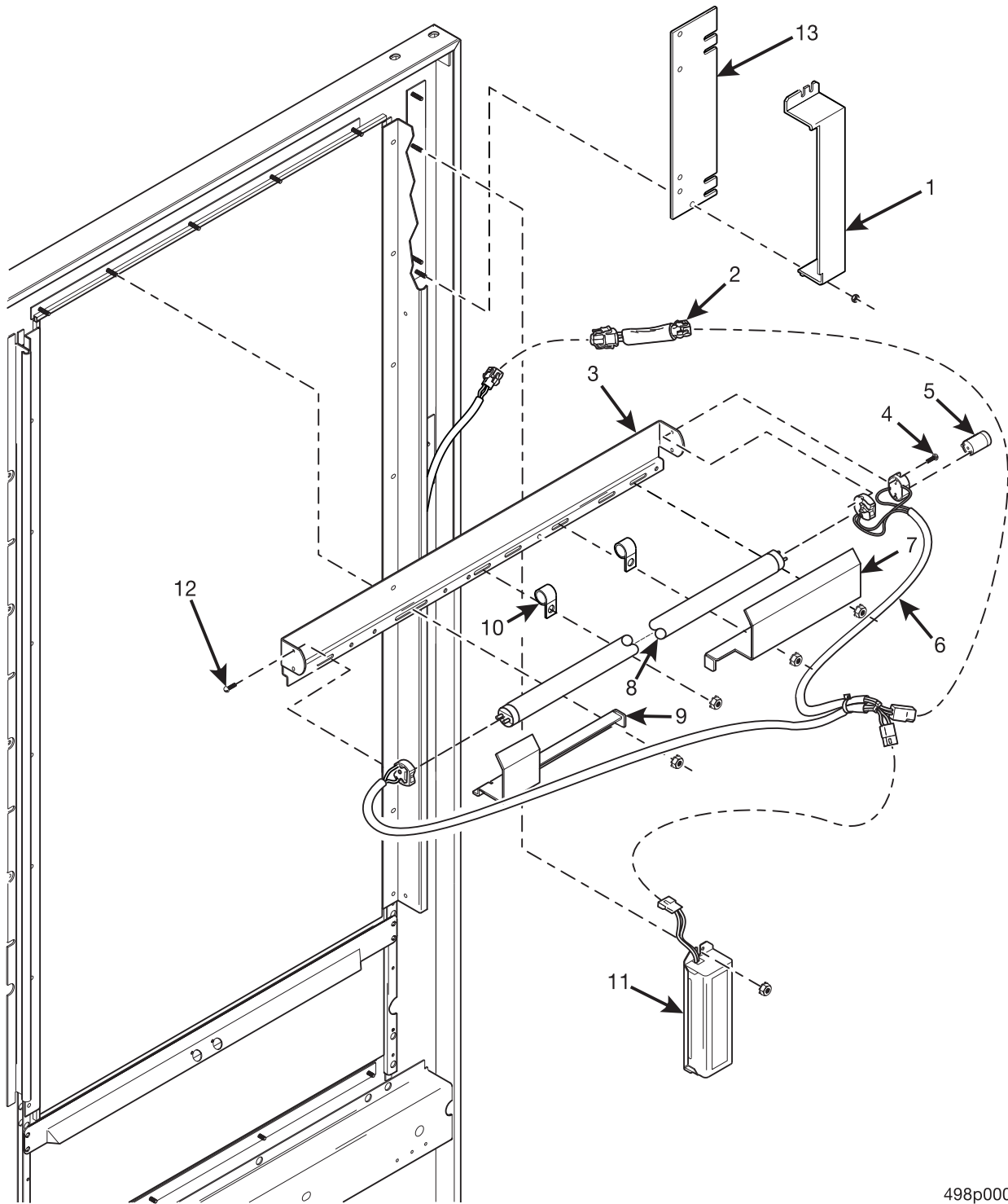


Figure 9. Upper Door Light Assembly - 115 V.

Expanded Refreshment Center Parts Manual

TABLE 8. UPPER DOOR LIGHT ASSEMBLY - 115 V.

| <i>INDEX</i> | <i>PART NUMBER</i> | <i>DESCRIPTION</i> | <i>QTY.</i> |
|--------------|--------------------|---|-------------|
| 1 | 1702004 | LIGHT ASSEMBLY - UPPER - DOOR (U.S., MEXICO, BRAZIL 120V) | 1 |
| 2 | 2302218 | STARTER - FLUORESCENT LIGHT | 1 |
| 3 | 1451124 | SUPPRESSION NETWORK ASSEMBLY | 1 |
| 4 | 4979000 | FLAT CABLE ASSEMBLY | 1 |
| 5 | 6152118 | BALLAST ASSEMBLY - CABINET LIGHT | 1 |
| 6 | 1172115 | FLUORESCENT LAMP - 25 WAT - 28" LONG | 1 |



498p0002

Figure 10. Upper Door Light Assembly - 230 V

Expanded Refreshment Center Parts Manual

TABLE 9. UPPER DOOR LIGHT ASSEMBLY - 230 V

| <i>INDEX</i> | <i>PART NUMBER</i> | <i>DESCRIPTION</i> | <i>QTY.</i> |
|--------------|--------------------|---|-------------|
| 1 | 1572047 | COVER - BALLAST - EUROPE | 1 |
| 2 | 6332010 | SUPPRESSION ASSEMBLY - 230 V. | 1 |
| 3 | 1582025 | BRACKET - LIGHT - COMMON - 20 WATT | 1 |
| 4 | 3107171 | SCREW - #4-36 X 5/8 RHS | 2 |
| 5 | 2222095 | FLUORESCENT LAMP STARTER | 1 |
| 6 | 1709015 | HARNESS - FLUORESCENT LIGHT | 1 |
| 7 | 1572045 | COVER - LIGHT SOCKET - LEFT (230 V MODELS) | 1 |
| 8 | 1122138 | FLUORESCENT LAMP | 1 |
| 9 | 1572044 | COVER - LIGHT SOCKET - RIGHT (230 V MODELS) | 1 |
| 10 | 1452139 | RETAINER - HARNESS | 2 |
| 11 | 1572016 | BALLAST ASSEMBLY - 20 W - 230 V | 1 |
| 12 | 1452076 | SCREW - #4-36 X .432 RHS | 2 |
| 13 | 1572046 | PLATE BALLAST - INTERNATIONAL | 1 |

Expanded Refreshment Center Parts Manual

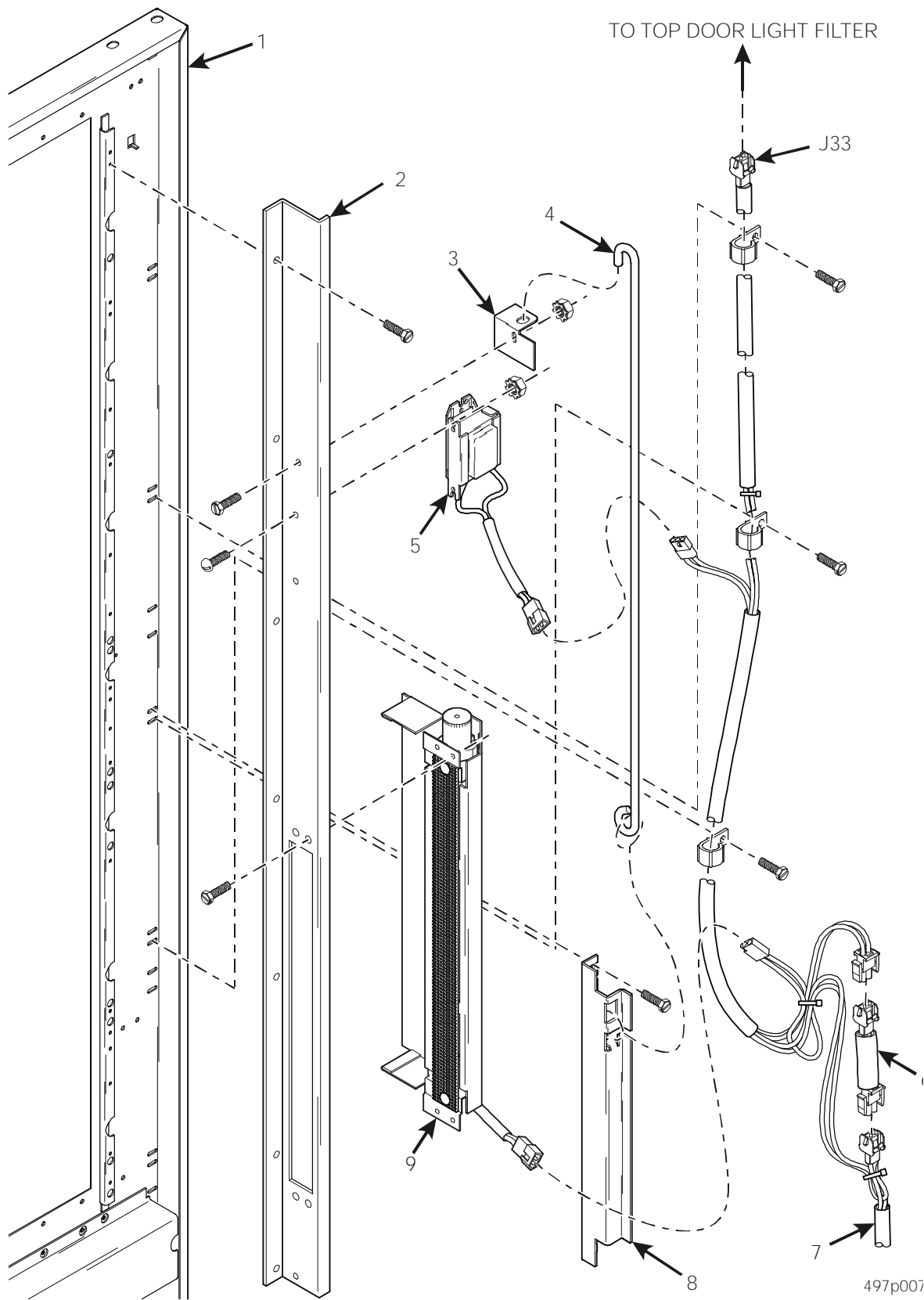


Figure 11. Glass Retainer With Side Light - Food Option

Expanded Refreshment Center Parts Manual

TABLE 10. GLASS RETAINER WITH SIDE LIGHT - FOOD OPTION

| <i>INDEX</i> | <i>PART NUMBER</i> | <i>DESCRIPTION</i> | <i>QTY.</i> |
|--------------|--------------------|---|-------------|
| 1 | 4972040 | WELD ASSEMBLY - DOOR - UNPAINTED | 1 |
| 2 | 4972107 | RETAINER - GLASS - WITH SIDE LIGHT ASSEMBLY | 1 |
| 3 | 1572028 | RETAINER - ROD SUPPORT - COMMON | OPT. |
| 4 | 1479140 | ROD - SUPPORT - G & M | OPT. |
| 5 | 4401016 | BALLAST ASSEMBLY | 1 |
| 6 | 1451124 | SUPPRESSION NETWORK ASSEMBLY | 1 |
| 7 | 4979009 | HARNESS - SIDE PANEL AND DOOR FLUORESCENT LIGHT | 1 |
| 8 | 4972049 | BRACKET - GUM & MINT PROP - MILLENNIA (ATTACHED TO DOOR WITH TRIM ATTACHING HARDWARE) | OPT. |
| 9 | 1572023 | FLUORESCENT LIGHT SIDE ASSEMBLY WITH COVER (SEE FIGURE 12 FOR DETAILS) | 1 |

Expanded Refreshment Center Parts Manual

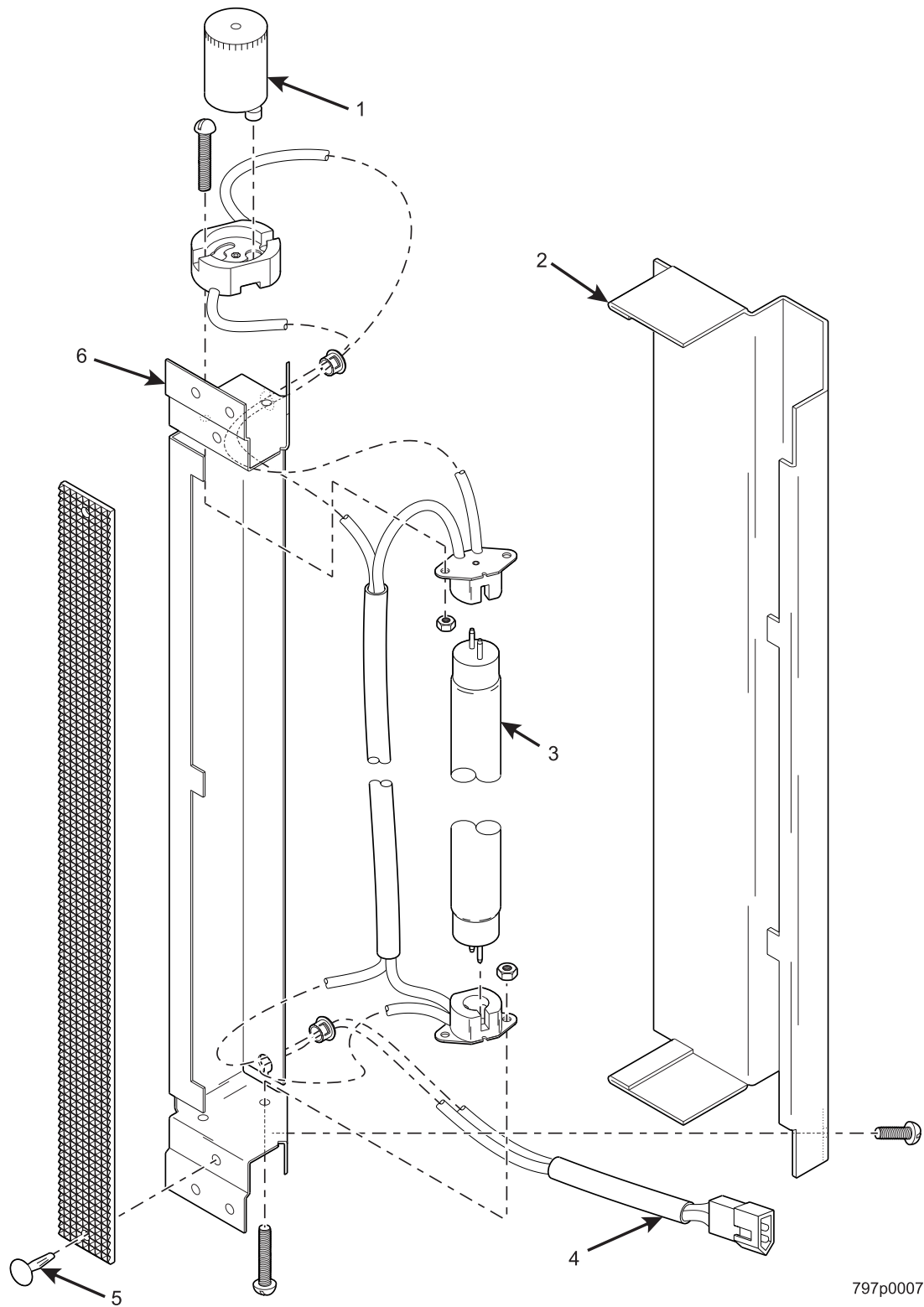


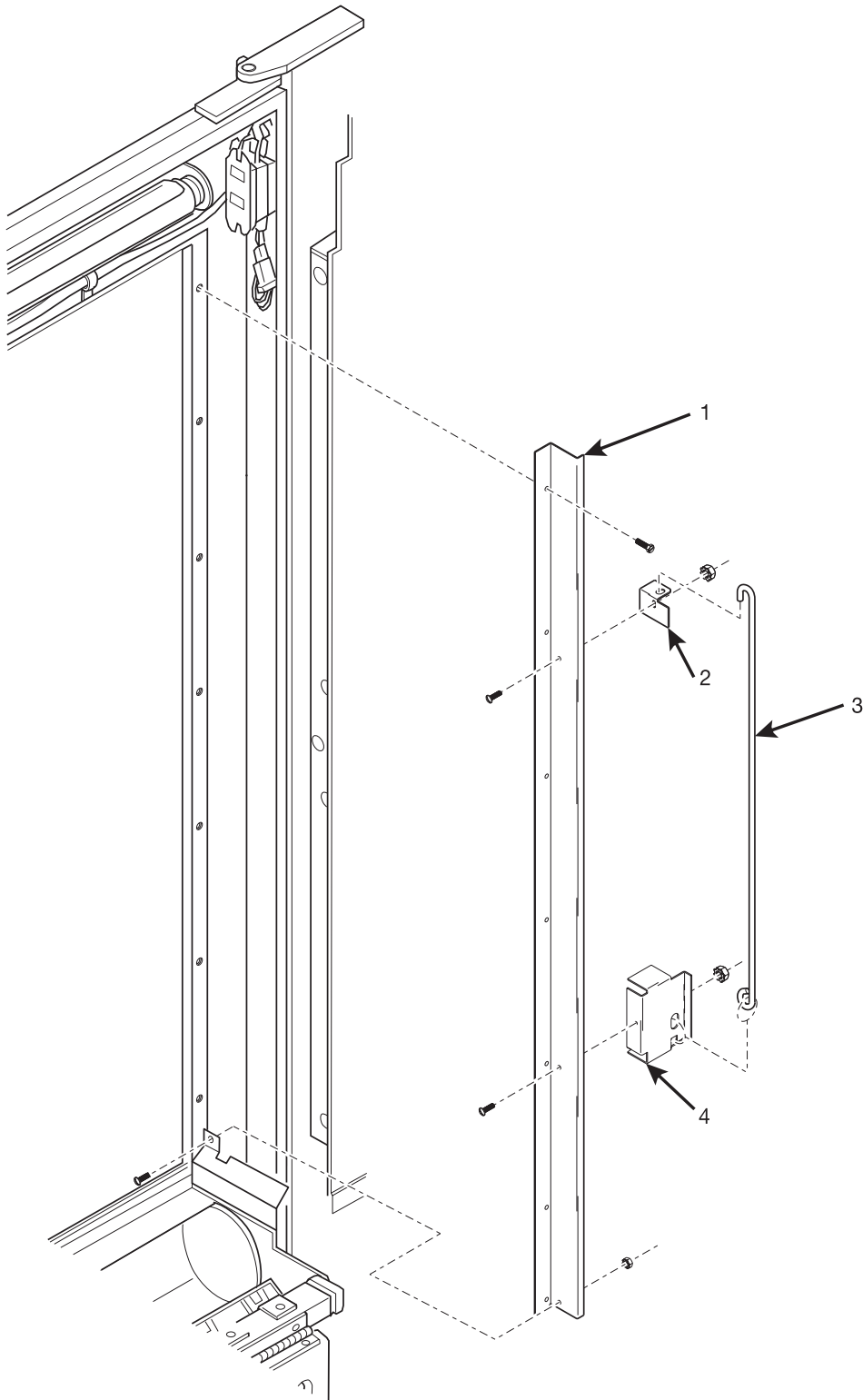
Figure 12. Fluorescent Light Side Assembly With Cover

Expanded Refreshment Center Parts Manual

TABLE 11. FLUORESCENT LIGHT SIDE ASSEMBLY WITH COVER

| <i>INDEX</i> | <i>PART NUMBER</i> | <i>DESCRIPTION</i> | <i>QTY.</i> |
|--------------|--------------------|---|-------------|
| 1 | 1212148 | FLUORESCENT LAMP STARTER | 1 |
| 2 | 4852049 | COVER - LIGHT | 1 |
| 3 | 2146059 | LAMP - FLUORESCENT - 8 WATT | 1 |
| 4 | 4849008 | HARNESS - FLUORESCENT LIGHT - FOOD MODULE | 1 |
| 5 | 4042556 | CANOE CLIP | 1 |
| 6 | 4842015 | HOUSING - LIGHT - COMMON | 1 |

Expanded Refreshment Center Parts Manual



497p0073

Figure 13. Glass Retainer - Can Option

Expanded Refreshment Center Parts Manual

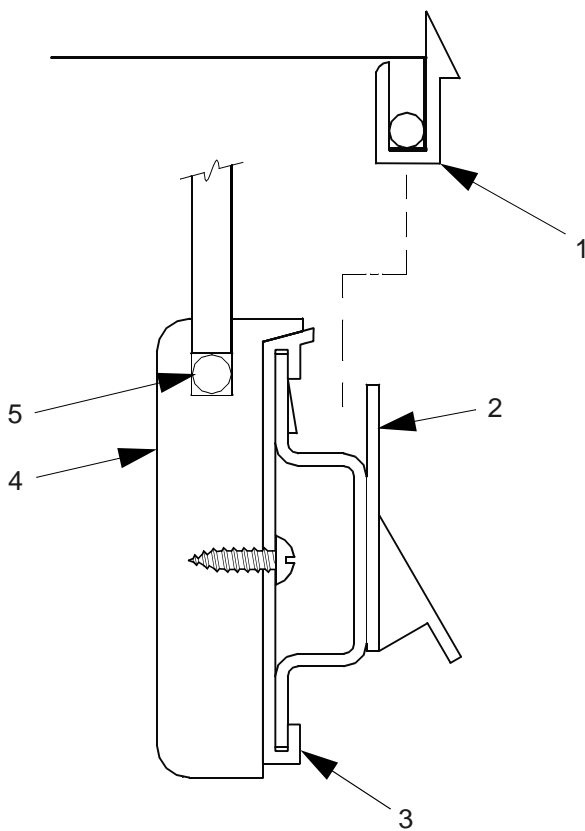
TABLE 12. GLASS RETAINER - CAN OPTION

| <i>INDEX</i> | <i>PART NUMBER</i> | <i>DESCRIPTION</i> | <i>QTY.</i> |
|--------------|--------------------|---|-------------|
| 1 | 1572020 | RETAINER - GLASS - LG. SNACK - N.V. BLACK | 1 |
| 2 | 1572028 | RETAINER - ROD SUPPORT - COMMON | OPT. |
| 3 | 1479140 | ROD - SUPPORT G. & M. | OPT. |
| 4 | 1572027 | SUPPORT - PROP ROD - COMMON | OPT. |

Expanded Refreshment Center Parts Manual

TABLE 13. LOWER GLASS SUPPORT PANEL ASSEMBLY

| INDEX | PART NUMBER | DESCRIPTION | QTY. |
|-------|-------------|--|------|
| - | 1582141 | HORIZONTAL TRIM & GLASS CHANNEL ASSEMBLY | 1 |
| 1 | 1582095 | CHANNEL & DELECTOR ASSEMBLY | 1 |
| 2 | 1602026 | PANEL ASSEMBLY - GLASS LOWER | 1 |
| 3 | 1582084 | PANEL - LOWER TRIM - W/HOLES & PTD. | 1 |
| 4 | 1582201 | HORIZONTAL TRIM - UPPER - J | 1 |
| 5 | 1582093 | GASKET - GLASS | 1 |



157p0278

Figure 14. Lower Glass Support Panel Assembly

Expanded Refreshment Center Parts Manual

TABLE 14. DOOR GLASS AND GLASS RETAINING COMPONENTS

| INDEX | PART NUMBER | DESCRIPTION | QTY. |
|-------|-------------|--------------------------------|------|
| 1 | 4972101 | GLASS - CURVED FRONT | 1 |
| 2 | 1572020 | GLASS RETAINER (CAN) | REF |
| | 4972107 | GLASS RETAINER WITH SIDE LIGHT | |
| 3 | 1572243 | GLASS RETAINER SPACER | 2 |
| 4 | 1472048 | GLASS RETAINING PLATE | REF |

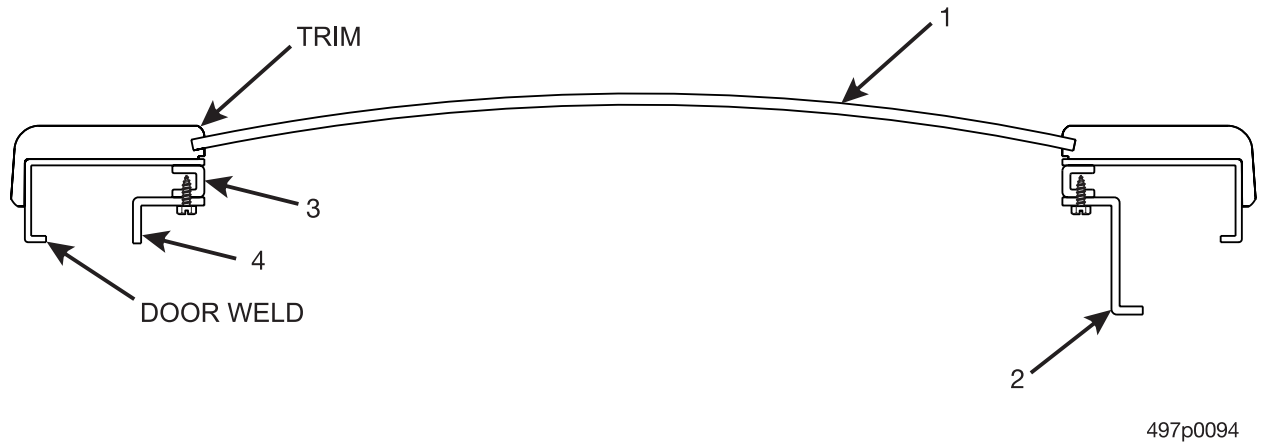


Figure 15. Door Glass and Glass Retaining Components

Expanded Refreshment Center Parts Manual

TABLE 15. UPPER DOOR LIGHT MOUNTING

| INDEX | PART NUMBER | DESCRIPTION | QTY. |
|-------|-------------|------------------------|------|
| 1 | 4972106 | SPACER - LIGHT BRACKET | 1 |

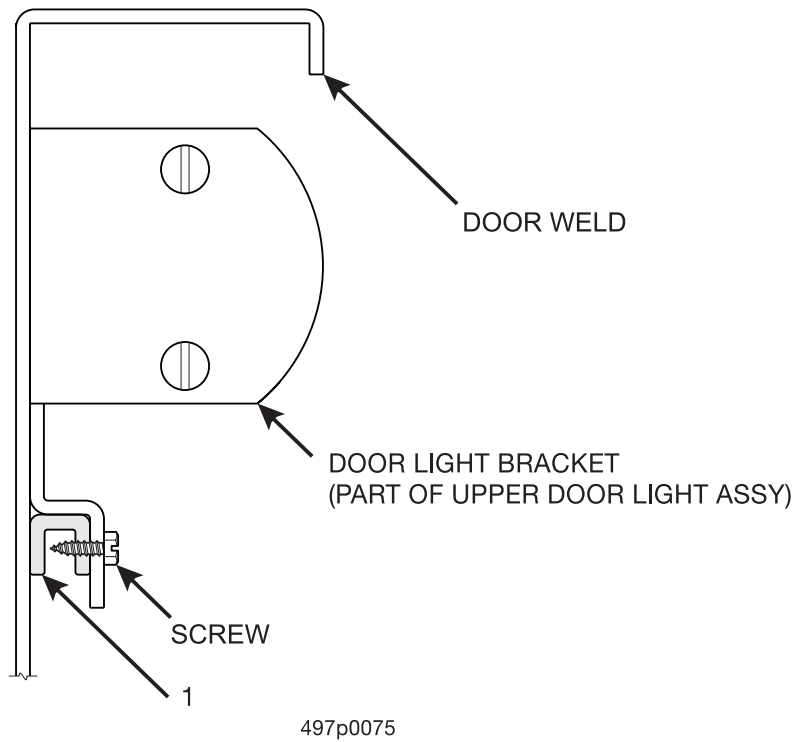
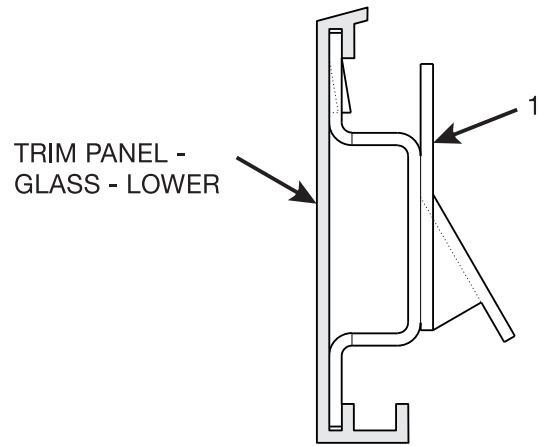


Figure 16. Upper Door Light Mounting

Expanded Refreshment Center Parts Manual

TABLE 16. LOWER GLASS SUPPORT PANEL

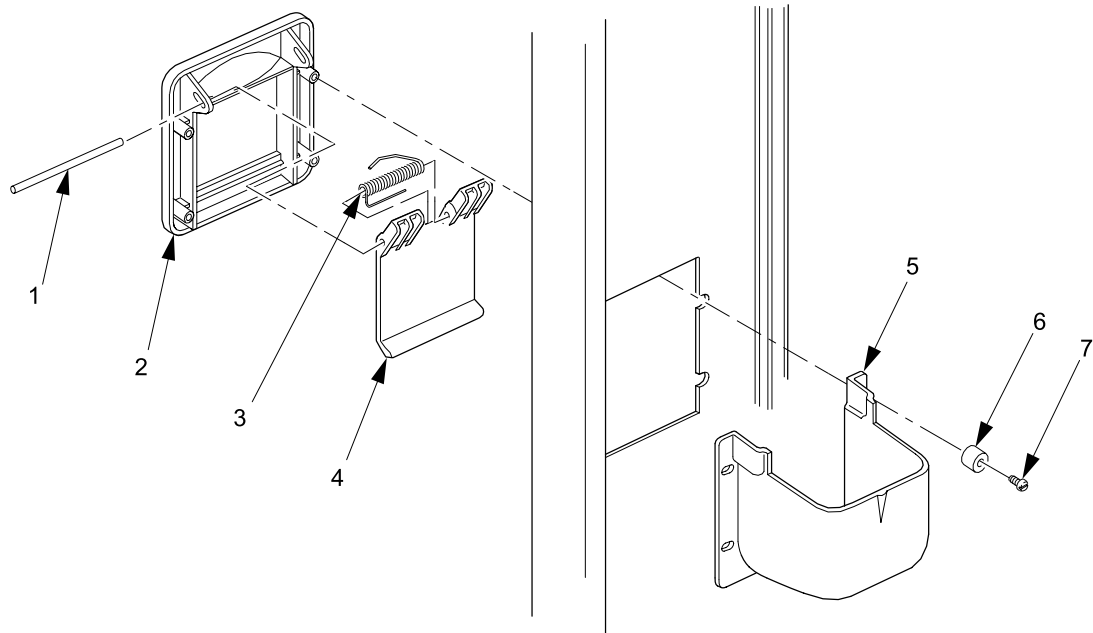
| INDEX | PART NUMBER | DESCRIPTION | QTY. |
|-------|-------------|--------------------------------|------|
| 1 | 4972141 | PANEL ASSEMBLY - GLASS - LOWER | 1 |



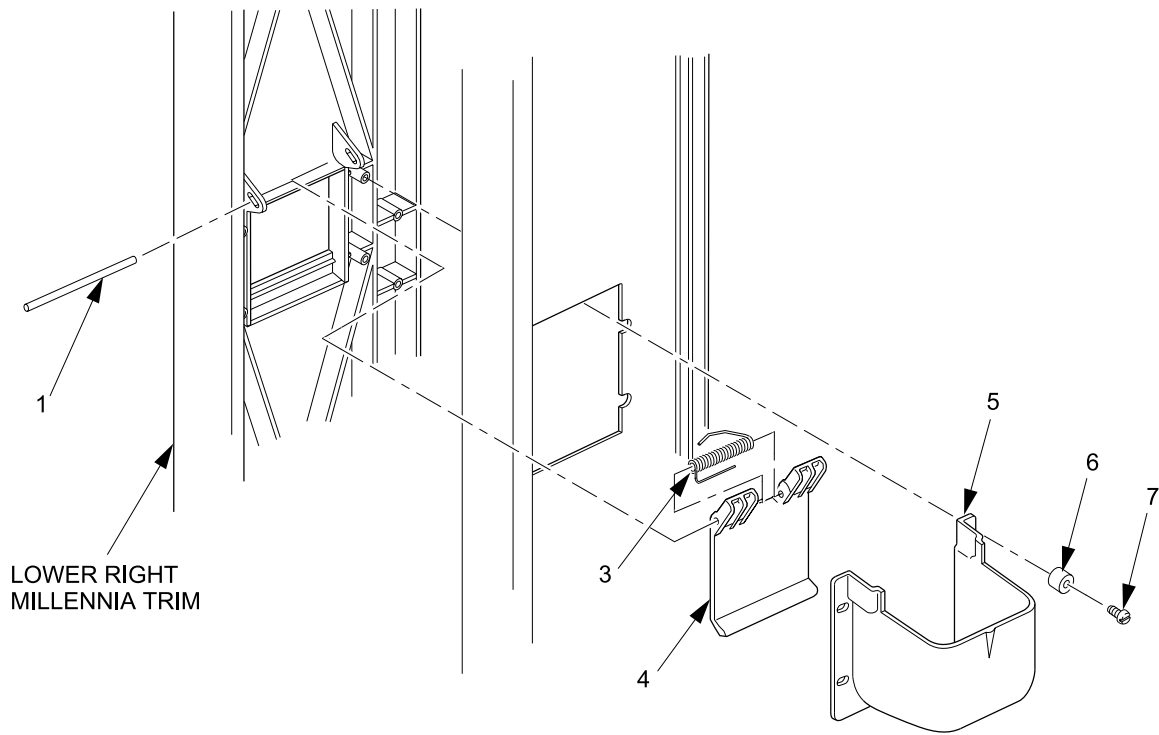
497p0069

Figure 17. Lower Glass Support Panel

Expanded Refreshment Center Parts Manual



COIN RECEPTACLE ASSEMBLY - STANDARD



COIN RECEPTACLE ASSEMBLY - MILLENNIA

497p0090

Figure 18. Coin Receptacle Assemblies

Expanded Refreshment Center Parts Manual

TABLE 17. COIN RECEPACLE ASSEMBLIES

| <i>INDEX</i> | <i>PART NUMBER</i> | <i>DESCRIPTION</i> | <i>QTY.</i> |
|--------------|--------------------|--|-------------|
| 1 | 2302093 | SPACER - CUP | 4 |
| 2 | 4042512 | SCREW - #8-32 X 1/2 - PHS - S/T | 4 |
| 3 | 1572010 | CUP - COIN RETURN | 1 |
| 4 | 4245082 | GATE - COIN RETURN | 1 |
| 5 | 4245083 | SPRING - COIN RETURN DOOR | 1 |
| 6 | 4245084 | SHAFT - DOOR - COIN RETURN | 1 |
| 7 | 1572011 | TRIM - COIN CUP - BLACK (STANDARD DOOR ONLY) | 1 |

Expanded Refreshment Center Parts Manual

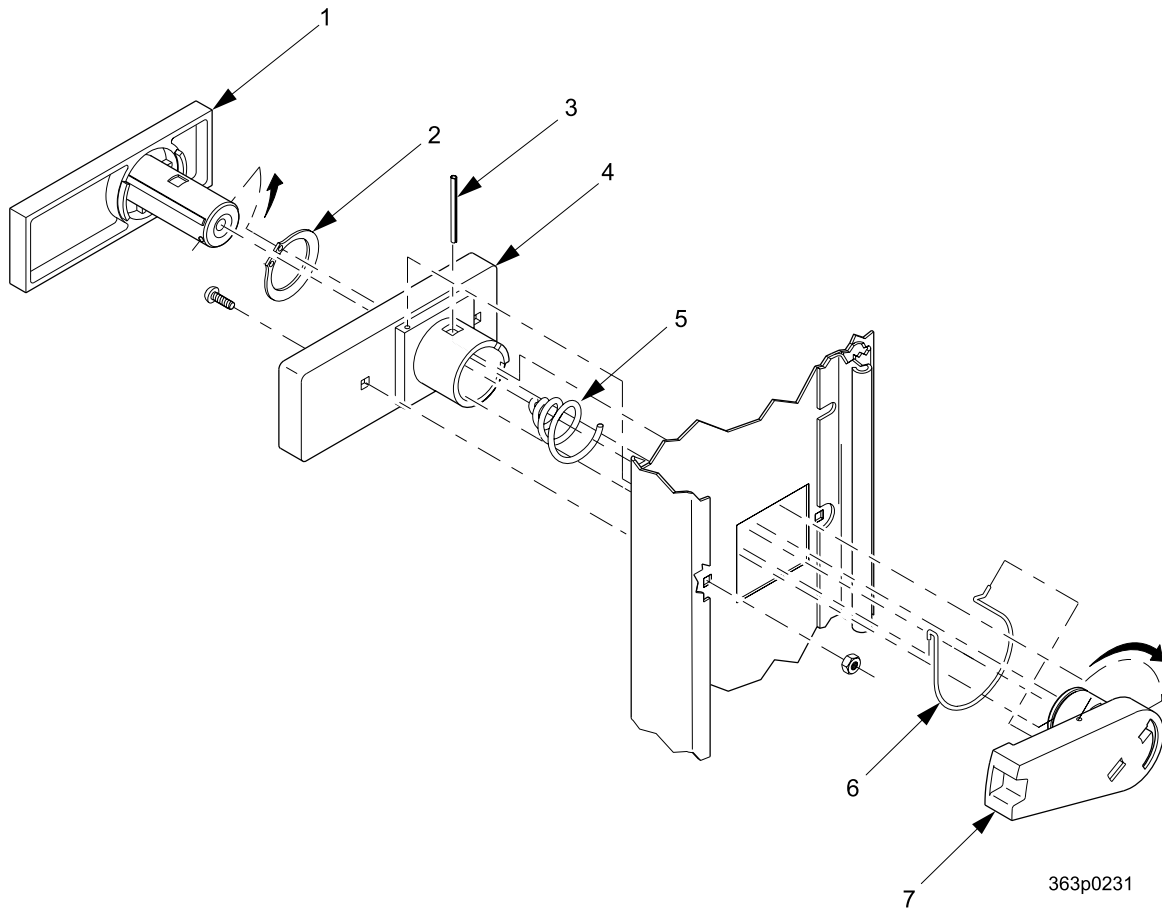


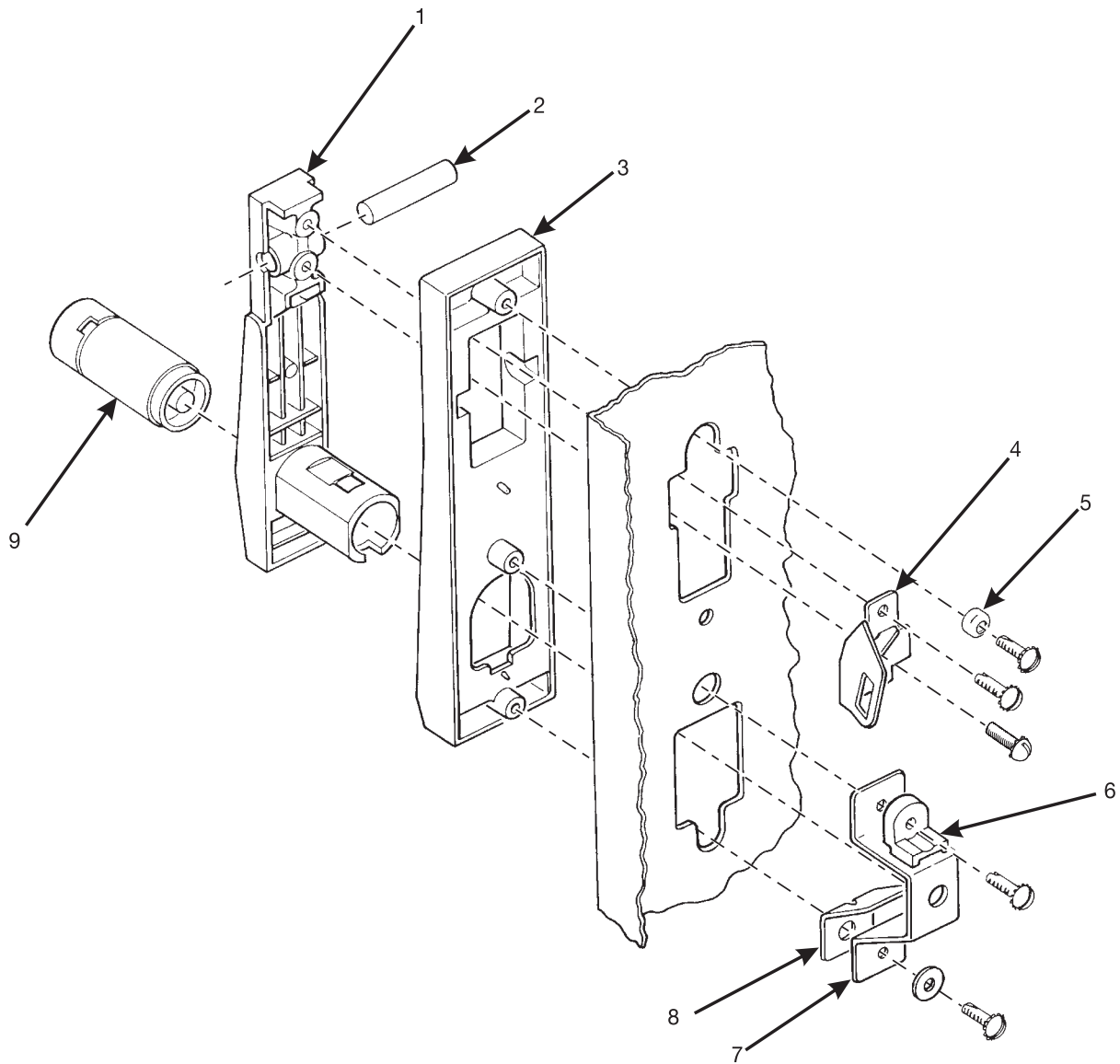
Figure 19. Millennium Door Lock and Handle Assembly

Expanded Refreshment Center Parts Manual

TABLE 18. MILLENNIA DOOR LOCK AND HANDLE ASSEMBLY

| <i>INDEX</i> | <i>PART NUMBER</i> | <i>DESCRIPTION</i> | <i>QTY.</i> |
|--------------|--------------------|--------------------------------|-------------|
| 1 | 1572397 | LEVER - HANDLE | 1 |
| 2 | 1572199 | RETAINING RING - LOCK ACTUATOR | 1 |
| 3 | 6104218 | ROLL PIN 1/8" X 1" | 1 |
| 4 | 1572396 | BASE - LOCK HANDLE | 1 |
| 5 | 1572203 | SPRING - LOCK | 1 |
| 6 | 1572398 | ACTUATOR - LOCK | 1 |
| 7 | 1572204 | SPRING - LIFT - ACTUATOR | 1 |

Expanded Refreshment Center Parts Manual



797p0001

Figure 20. Door Lock and Handle Assembly

Expanded Refreshment Center Parts Manual

TABLE 19. DOOR LOCK AND HANDLE ASSEMBLY

| <i>INDEX</i> | <i>PART NUMBER</i> | <i>DESCRIPTION</i> | <i>QTY.</i> |
|--------------|--------------------|---|-------------|
| 1 | 1172190 | LEVER - LOCK | 1 |
| 2 | 1302291 | PIVOT - LEVER LOCK | 1 |
| 3 | 1172191 | BASE - LEVER LOCK | 1 |
| 4 | 2272052 | ACTUATOR ASSEMBLY - LOCK BAR | 1 |
| 5 | 1302289 | CUP SPACER | 1 |
| 6 | 1302326 | SHIELD - LATCH | 1 |
| 7 | 1302324 | CATCH - DOOR LATCH | 1 |
| 8 | 1302290 | LATCH - LOCK LOWER | 1 |
| 9 | 9992400 | CYLINDER - LOCK | 1 |
| | 3112163 | VAN LOCK | OPT. |
| - | 3112164 | KEY (NOT SHOWN) VAN LOCK APPLICATION (NOT SHOWN) | 1 OPT. |

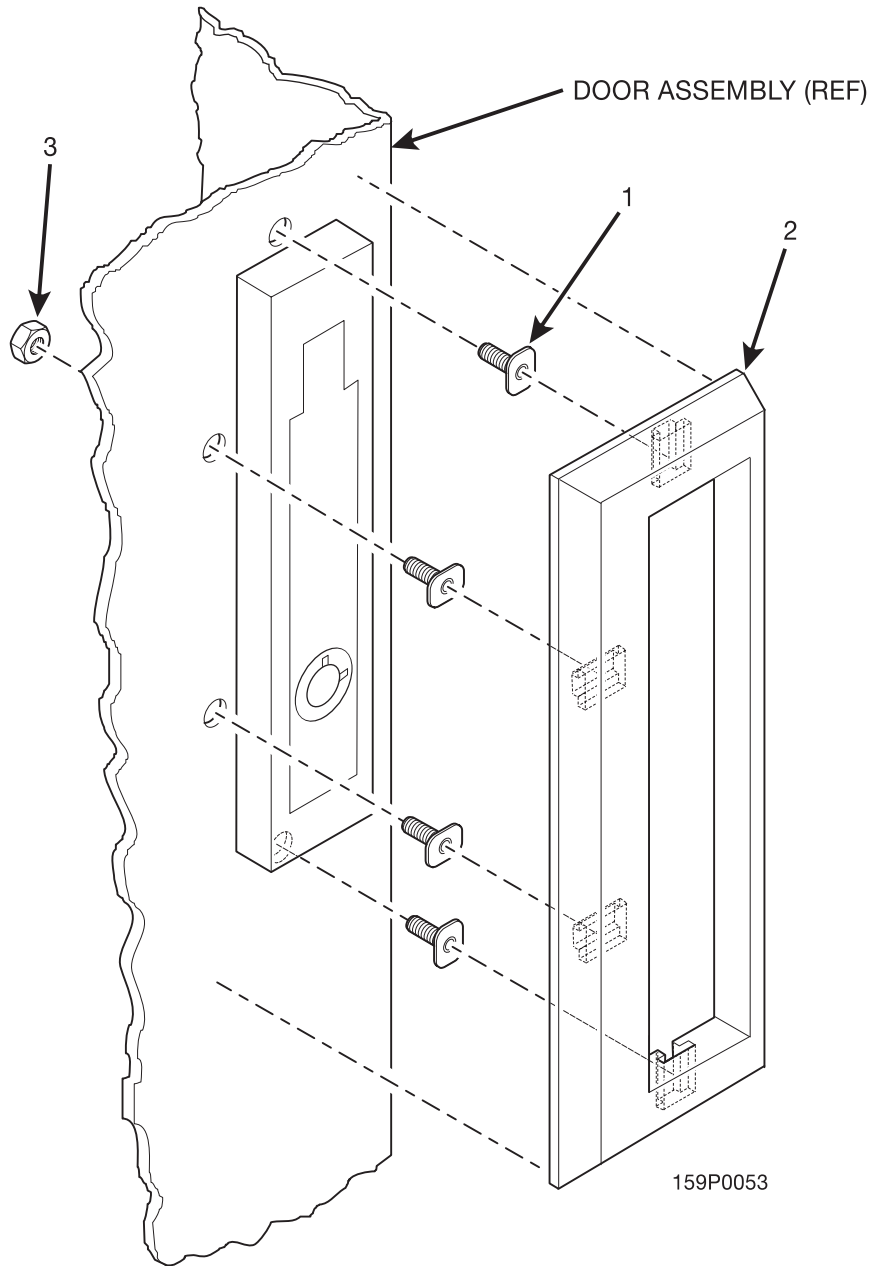


Figure 21. Door Lock Guard Accessory

Expanded Refreshment Center Parts Manual

TABLE 20. DOOR LOCK GUARD ACCESSORY

| <i>INDEX</i> | <i>PART NUMBER</i> | <i>DESCRIPTION</i> | <i>QTY.</i> |
|--------------|--------------------|--|-------------|
| - | 1572188 | DOOR LOCK GUARD KIT (INCLUDES ALL THE FOLLOWING ITEMS) | - |
| 1 | 2222031 | T-BOLT - TRIM | 4 |
| 2 | 1572186 | GUARD - LOCK | 1 |
| 3 | 9900081 | NUT - #8-32 - KEPS - ZINC PLATE | 4 |
| - | 1572187 | TEMPLATE AND INSTRUCTIONS (NOT SHOWN) | 1 |

NOTE

This accessory requires drilling holes for T-bolts.

Expanded Refreshment Center Parts Manual

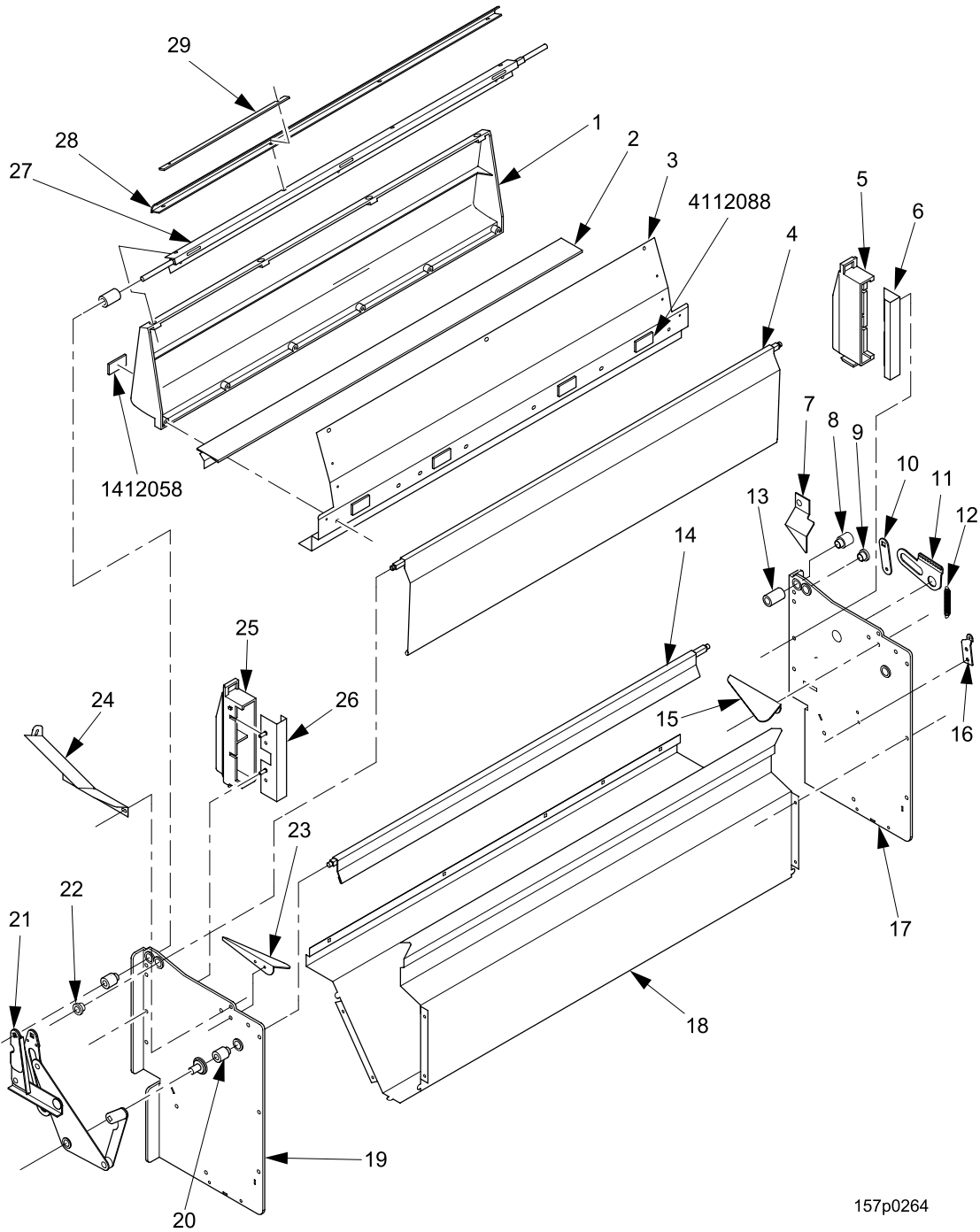


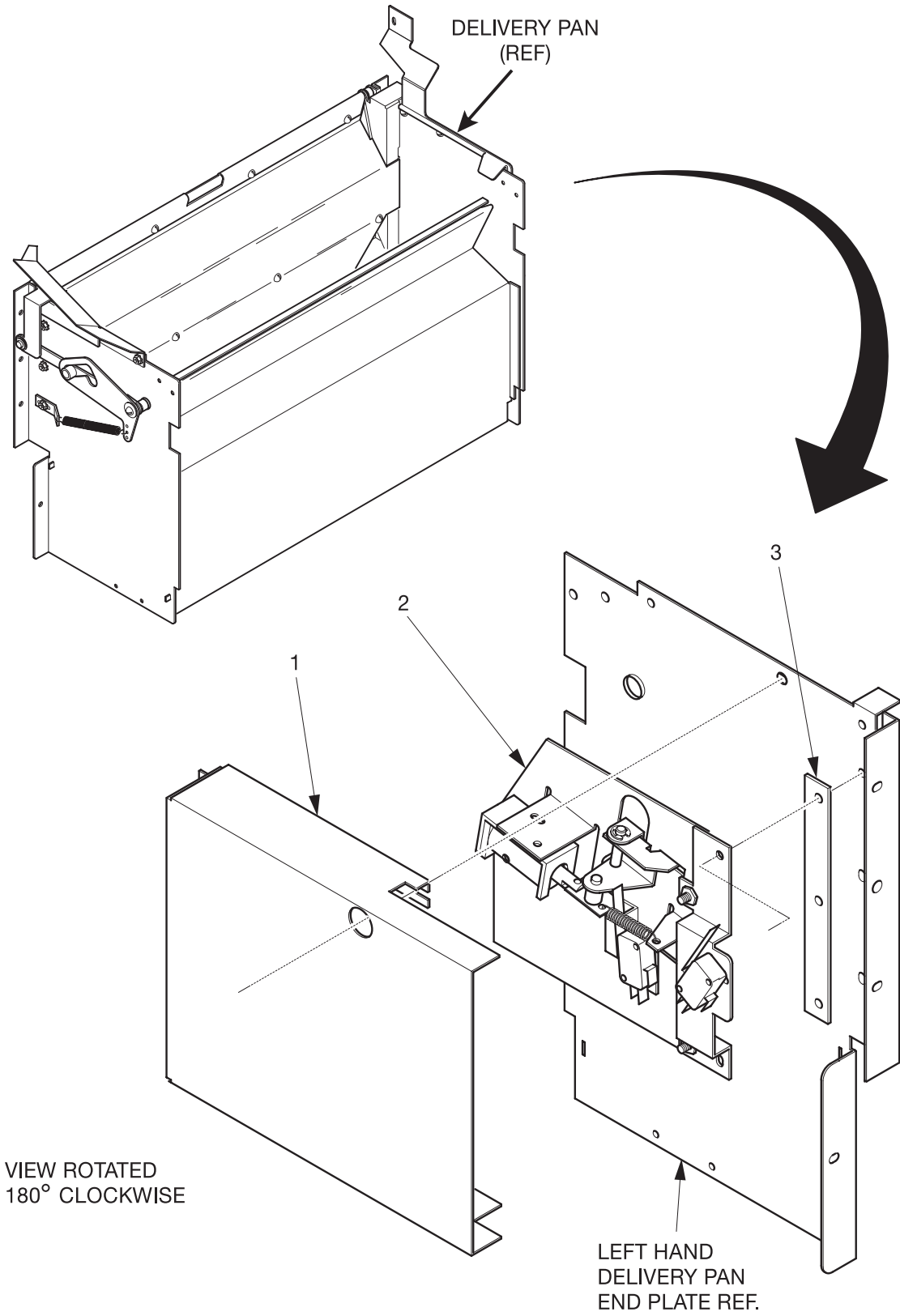
Figure 22. Delivery Pan Assembly (Part 1)

Expanded Refreshment Center Parts Manual

TABLE 21. DELIVERY PAN ASSEMBLY (PART 1)

| INDEX | PART NUMBER | DESCRIPTION | QTY. |
|-------|-------------|--------------------------------------|------|
| - | 4972168 | DELIVERY PAN ASSEMBLY - 40" | |
| 1 | 4972102 | DOOR - DELIVERY - 40" | |
| 2 | 4972161 | FILLER - FRONT - 40" | |
| 3 | 4972160 | BACK - DELIVERY DOOR - 40" | |
| 4 | 4972205 | DOOR ASSEMBLY - PILFERAGE - 40" | |
| 5 | 1572229 | FILLER - LEFT HAND | 1 |
| 6 | 1572301 | CHANNEL & STUD ASSEMBLY - L.H. | 1 |
| 7 | 1582225 | DEFLECTOR - L.H. - 32" | 1 |
| 8 | 1572416 | SLEEVE - DELIVERY DOOR | 2 |
| 9 | 1572418 | SLEEVE - PILFER & REAR DR. - L.H | 2 |
| 10 | 1572353 | ARM ASSEMBLY - SPRING ASSIST | 1 |
| 11 | 1572423 | ACTUATOR ASSEMBLY. - SPRING ASSIST | 1 |
| 12 | 1572420 | SPRING | 1 |
| 13 | 1572315 | SPACER - DELIVERY DOOR | 2 |
| 14 | 4972183 | DOOR ASSEMBLY - REAR - 40" | |
| 15 | 1572322 | DEFLECTOR - INNER - L.H. | 1 |
| 16 | 1572421 | ANCHOR - SPRING | 1 |
| 17 | 1572425 | SIDE PLATE ASSEMBLY - R.H. | 1 |
| 18 | 4972190 | WELD ASSEMBLY - DELIVERY PAN - 40" | |
| 19 | 1572424 | SIDE PLATE ASSEMBLY - L.H. | 1 |
| 20 | 1572409 | SPACER - SHAFT | 1 |
| 21 | 1572410 | LINKAGE ASSEMBLY - R.H. | 1 |
| 22 | 1572417 | SLEEVE - PILFER & REAR DR. - R.H | 2 |
| 23 | 1572321 | DEFLECTOR - INNER - R.H. | 1 |
| 24 | 1572029 | DEFLECTOR - PRODUCT - R.H. | 1 |
| 25 | 1572230 | FILLER - RIGHT HAND | 1 |
| 26 | 1572300 | CHANNEL & STUD ASSEMBLY - R.H. | 1 |
| 27 | 4972211 | CHANNEL ASSEMBLY - 40" - DELIVERY DO | |
| 28 | 4972212 | GUARD - DELIVERY DOOR - UPPER - 40 | |
| 29 | 4972213 | STRIP - THREADED - 40" | |

Expanded Refreshment Center Parts Manual



497p0082

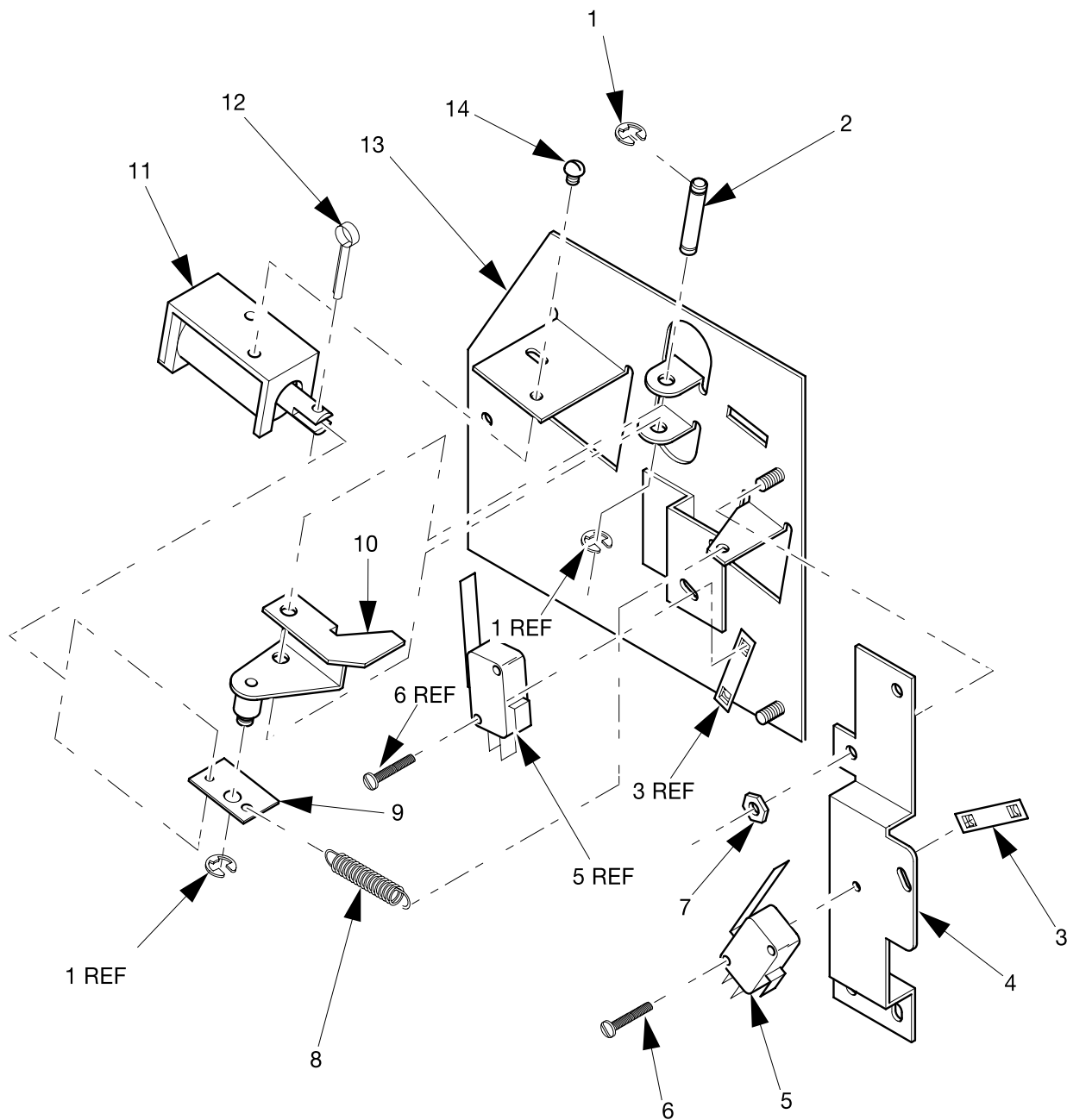
Figure 23. Delivery Pan Assembly (Part 2) - Food Option Only

Expanded Refreshment Center Parts Manual

TABLE 22. DELIVERY PAN ASSEMBLY (PART 2) - FOOD OPTION ONLY

| <i>INDEX</i> | <i>PART NUMBER</i> | <i>DESCRIPTION</i> | <i>QTY.</i> |
|--------------|--------------------|---|-------------|
| 1 | 402027 | COVER - LATCH MECHANISM | 1 |
| 2 | - | DELIVERY PAN SOLENOID LOCK ASSEMBLY (SEE FIGURE 24 FOR DETAILS) | OPT. |
| 3 | 1572265 | SPACER - SOLENOID LOCK | 1 |

Expanded Refreshment Center Parts Manual



467p0008

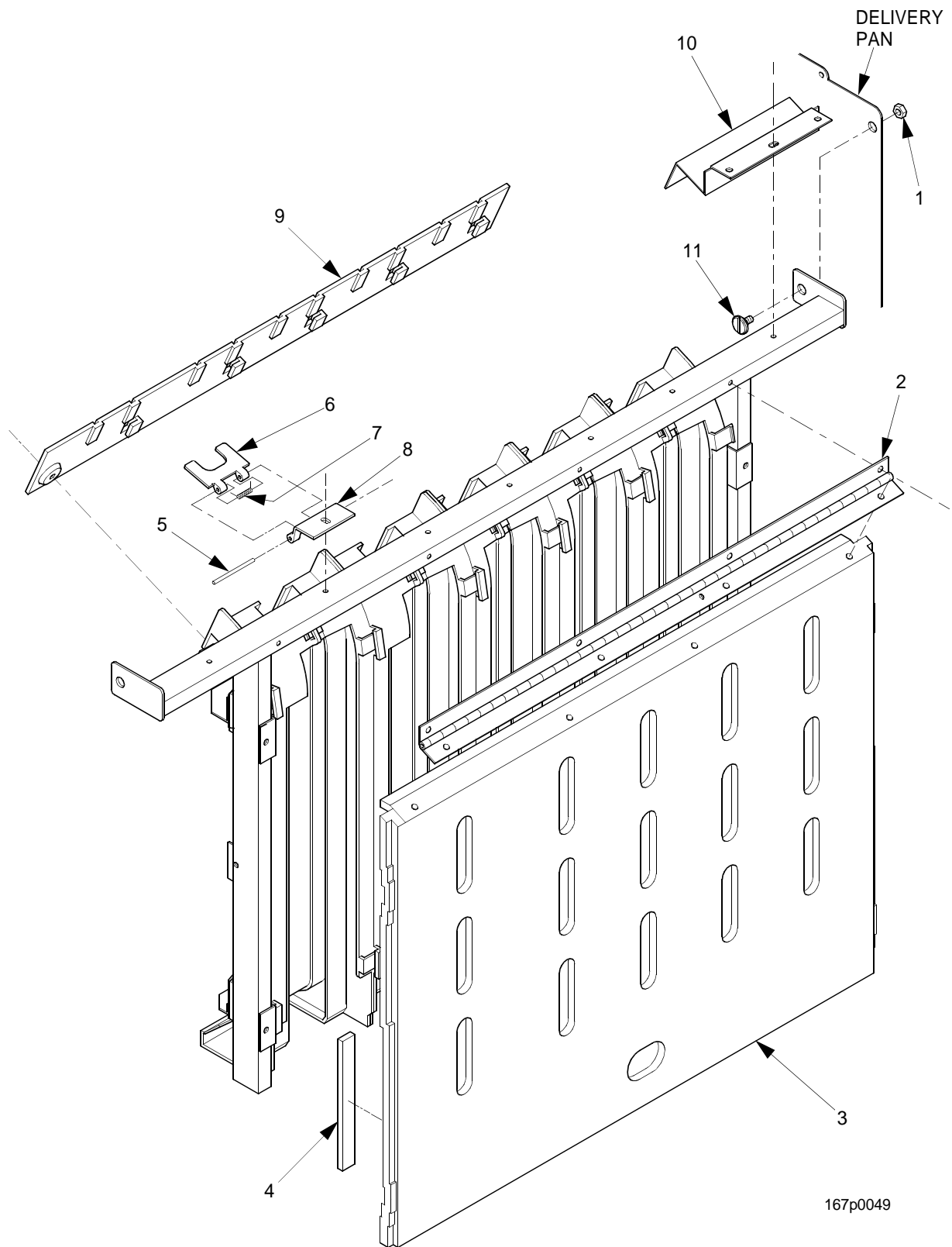
Figure 24. Delivery Pan Solenoid Lock Assembly - Food Option Only

Expanded Refreshment Center Parts Manual

TABLE 23. DELIVERY PAN SOLENOID LOCK ASSEMBLY - FOOD OPTION ONLY

| <i>INDEX</i> | <i>PART NUMBER</i> | <i>DESCRIPTION</i> | <i>QTY.</i> |
|--------------|--------------------|-------------------------------------|-------------|
| 1 | 9900418 | RETAINING RING - REINF. E-TYPE .187 | 3 |
| 2 | 4402022 | PIN - LATCH | 1 |
| 3 | 4302316 | FASTENER - TWIN TYPE | 2 |
| 4 | 1572264 | BRACKET - SWITCH MOUNTING | 1 |
| 5 | 9984633 | SWITCH - LEVER - 1 7/8 | 2 |
| 6 | 1217160 | #4-40 X 5/8 RHS MACHINE SCREW Z/Y | 4 |
| 7 | 9900081 | NUT #8032 KEPS - Z/P | 2 |
| 8 | 1127808 | SPRING | 1 |
| 9 | 4402047 | LINK - SOLENOID | 1 |
| 10 | 4402023 | LATCH AND STUD ASSEMBLY | 1 |
| 11 | 4252030 | SOLENOID - 24 VDC | 1 |
| 12 | 9900098 | COTTER PIN 3/32 X 3/4 | 1 |
| 13 | 1572266 | PLATE AND BRACKET ASSEMBLY | 1 |
| 14 | 9900090 | SCREW #6-32 X 3/16 RHS - W/LKW | 2 |

Expanded Refreshment Center Parts Manual



167p0049

Figure 25. Gum and Mint Assembly (Part 1)

Expanded Refreshment Center Parts Manual

TABLE 24. GUM AND MINT ASSEMBLY (PART 1)

| INDEX | PART NUMBER | DESCRIPTION | QTY. |
|-------|-------------|--|------|
| - | 1577000X | GUM & MINT COLUMN (167, 267, 764) | - |
| - | 1587000X | GUM & MINT COLUMN (168, 268, 765, 784, 787) | - |
| 1 | 1477048 | SPIRAL-25 CT LH | 1 |
| 2 | 1479104 | HINGE - COVER | 1 |
| - | 1479125 | COVER ASSEMBLY (INCLUDES THE NEXT TWO ITEMS) | - |
| 3 | 1479101 | COVER - GUM & MINT | 1 |
| 4 | 1479119 | MAGNET - RETAINER | 2 |
| 5 | 1479083 | PIN - HINGE | 5 |
| 6 | 1479081 | HINGE - FRONT | 5 |
| 7 | 1479084 | SPRING - HINGE | 5 |
| 8 | 1479082 | HINGE - BACK | 5 |
| 9 | 1479105 | WINDOW - GUM & MINT | 1 |
| 10 | 1479103 | FILLER - GUM & MINT | 2 |
| 11 | 1479052 | STUD - PIVOT - G & M | 2 |

Expanded Refreshment Center Parts Manual

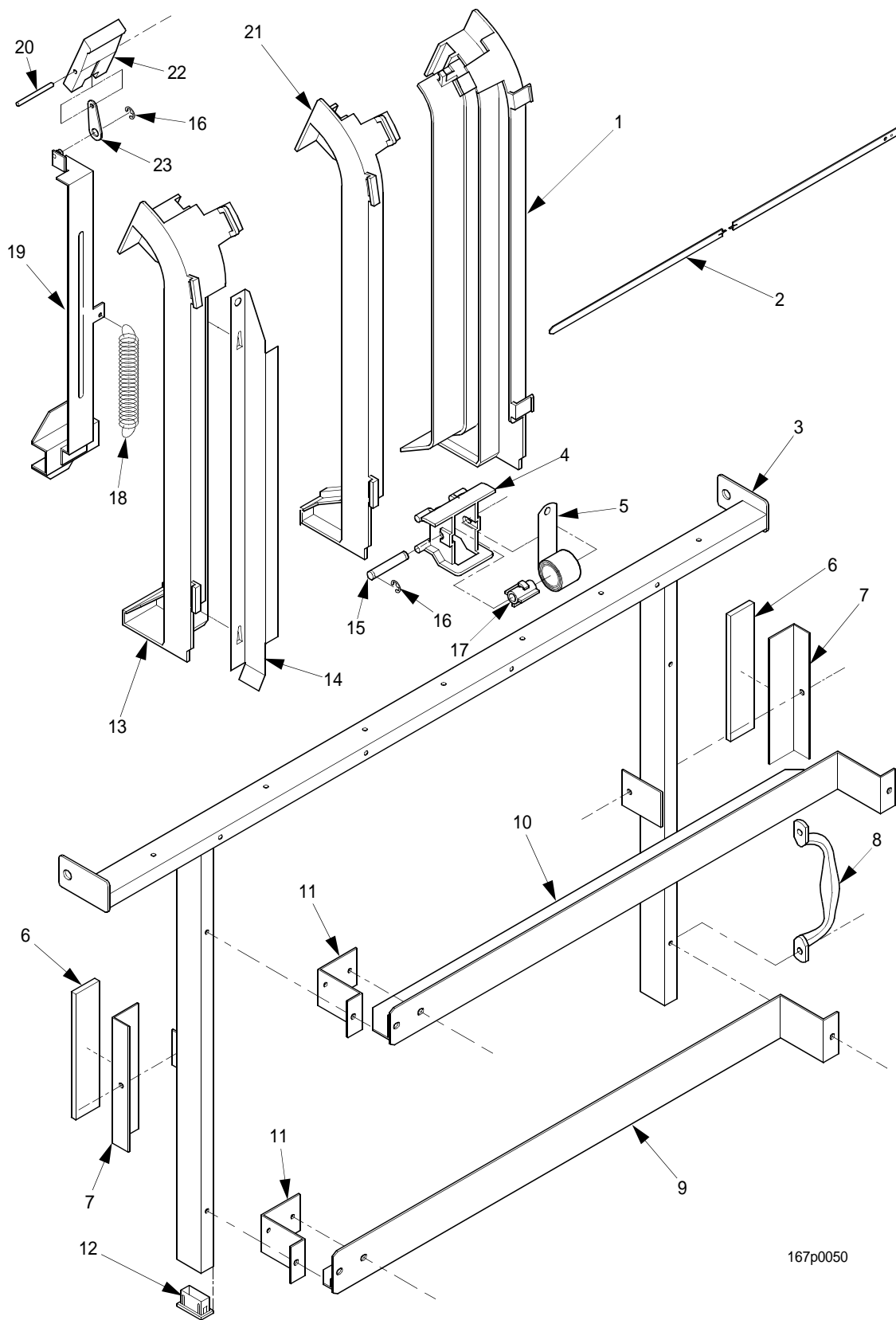
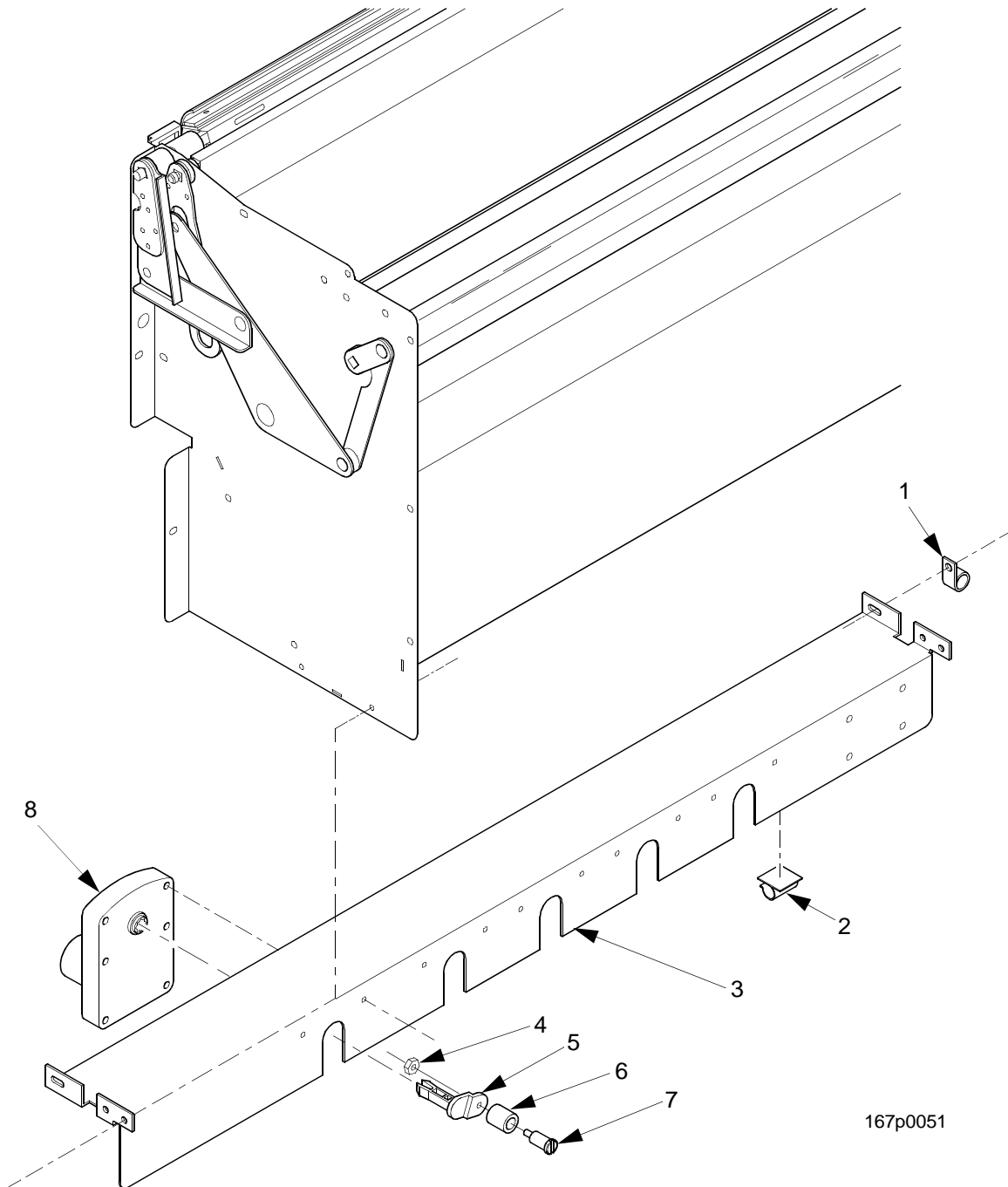


Figure 26. Gum and Mint Assembly (Part 2)

Expanded Refreshment Center Parts Manual

TABLE 25. GUM AND MINT ASSEMBLY (PART 2)

| INDEX | PART NUMBER | DESCRIPTION | QTY. |
|-------|-------------|---|------|
| 1 | 1479075 | CHANNEL - GUM & MINT - LEFT | 5 |
| 2 | 1579053 | RETAINER | 3 |
| 3 | 1479136 | FRAME ASSEMBLY - GUM & MINT (167, 267, 764) | 1 |
| | 1489008 | FRAME ASSEMBLY - GUM & MINT (168, 268, 765, 784, 787) | |
| 4 | 1479079 | PUSHER | 5 |
| 5 | 1479106 | SPRING - PUSHER | 5 |
| 6 | 3122056 | MAGNET RETAINER - COIN CHANGER | 2 |
| 7 | 1479117 | ANGLE - MAGNET | 2 |
| 8 | 1479139 | PULL - DOOR | 1 |
| 9 | 1479092 | SUPPORT ASSEMBLY - MAGAZINE - LOWER | 1 |
| 10 | 1479089 | SUPPORT ASSEMBLY - MAGAZINE - UPPER | 1 |
| 11 | 1479095 | BRACKET - MAGAZINE | 2 |
| 12 | 1479120 | CAPLUG - REC. ½ X 1 | 2 |
| 13 | 1479077 | CHANNEL - GUM & MINT - RIGHT - LARGE | 2 |
| 14 | 1479064 | SPACER - COLUMN - G & M | 2 |
| 15 | 1479099 | PIN - PUSHER | 5 |
| 16 | 9900425 | RETAINING RING REINF E TYP. 250 | 15 |
| 17 | 1479080 | SPOOL - SPRING | 5 |
| 18 | 4246307 | SPRING - HORIZONTAL SELECTOR ARM | 5 |
| 19 | 1677171 | DRIVE BAR & STUD ASSEMBLY | 5 |
| 20 | 1479098 | PIN - EJECTOR | 5 |
| 21 | 1479076 | CHANNEL - GUM & MINT - RIGHT - SMALL | 3 |
| 22 | 1479078 | EJECTOR - GUM & MINT | 5 |
| 23 | 1479097 | LINK - EJECTOR | 5 |
| - | 1579012 | HARNESS - GUM & MINT (NOT SHOWN) | 1 |



167p0051

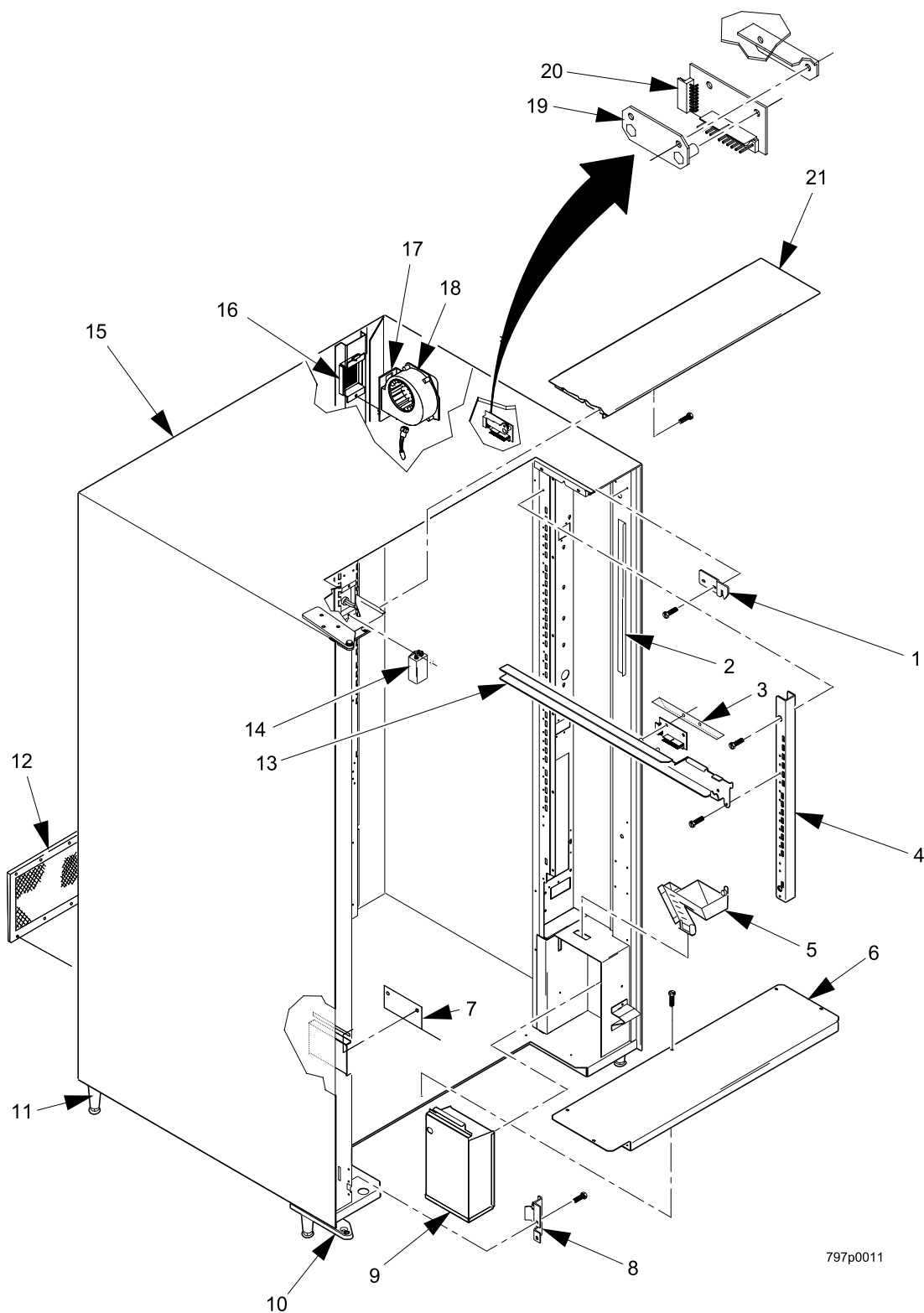
Figure 27. Gum and Mint Assembly (Part 3)

Expanded Refreshment Center Parts Manual

TABLE 26. GUM AND MINT ASSEMBLY (PART 3)

| INDEX | PART NUMBER | DESCRIPTION | QTY. |
|--------------|--------------------|---|-------------|
| 1 | 1452139 | RETAINER - HARNESS | 1 |
| 2 | 6131143 | CABLE CLAMP - RICHCO #KKC6 | 2 |
| 3 | 1489005 | ANGLE - MOTOR (168, 268, 765, 784, 787) | 1 |
| | 1572351 | ANGLE - MOTOR (167, 267, 764) | |
| 4 | 9900081 | NUT #8-32 KEPS ZINC PLATE | 5 |
| 5 | 1479145 | ARM - DRIVE MOTOR | 5 |
| 6 | 1479063 | ROLLER - DRIVE ARM | 5 |
| 7 | 1479062 | STUD - DRIVE ARM | 5 |
| 8 | 1577038 | MOTOR & PC BOARD ASSEMBLY | 5 |

Expanded Refreshment Center Parts Manual



797p0011

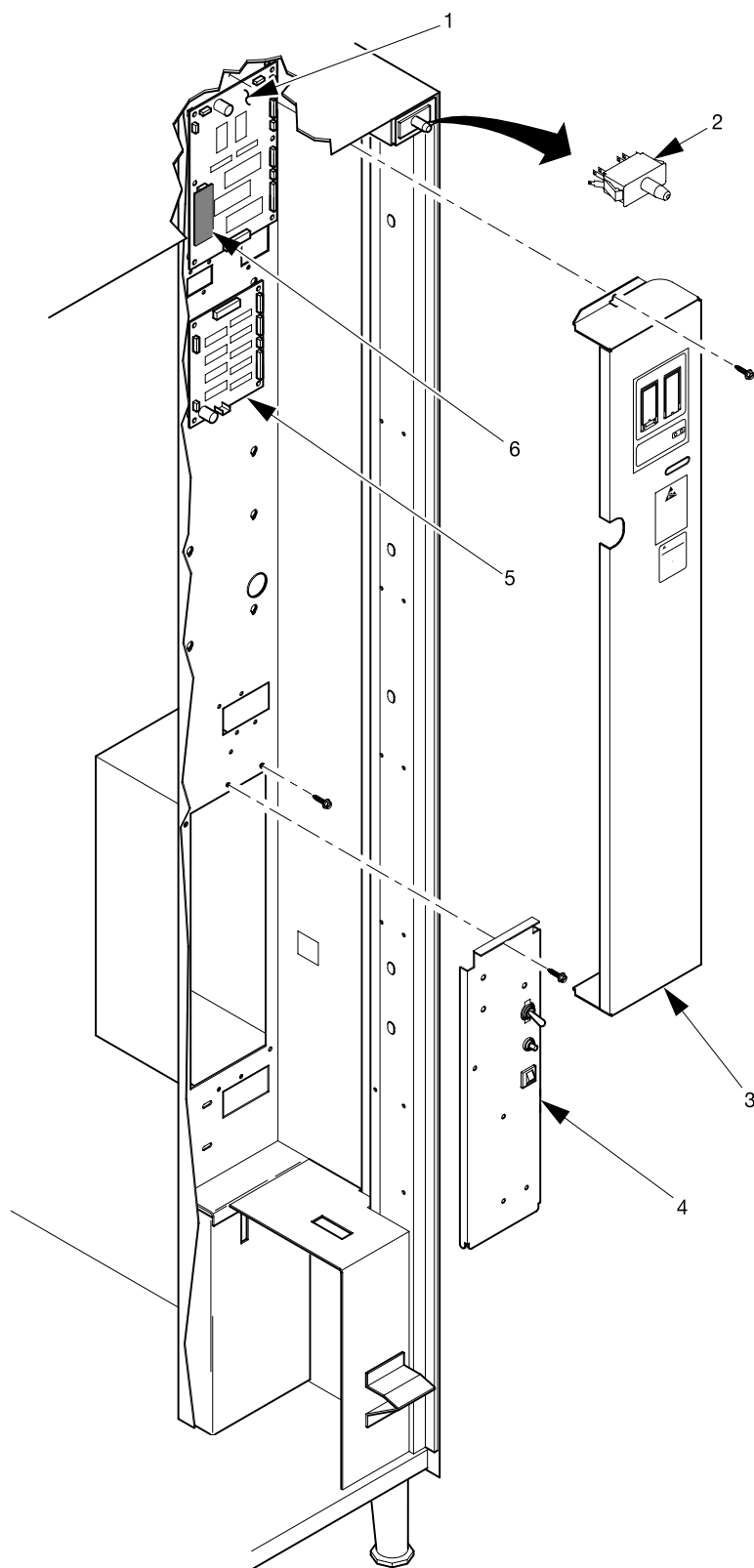
Figure 28. Common Cabinet (Part 1 of 2)

Expanded Refreshment Center Parts Manual

TABLE 27. COMMON CABINET (PART 1 OF 2)

| INDEX | PART NUMBER | DESCRIPTION | QTY. |
|---|-------------|--|------|
| 1 | 1571074 | LOCK ARM - CABINET | 2 |
| 2 | 1571022 | STOP - MONETARY PANEL | 2 |
| 3 | 1571229 | SHIELD - TRAY RAIL/PCB | OPT. |
| 4 | 4971022 | SPACER - L.H.RAIL MOUNTING | |
| | 4971025 | SPACER - R.H.RAIL MOUNTING | |
| 5 | 6231242 | CHUTE - PAYOUT | 1 |
| 6 | 4971042 | BASE FILLER ASSEMBLY - N.V. BLACK | 1 |
| | 4971044 | BASE FILLER ASSEMBLY - MILLENNIA GRAY | |
| 7 | 4841020 | DEFLECTOR - RC-2 WITH MODULE | 1 |
| 8 | 1571090 | PLATE ASSEMBLY - DOOR CHECK | 1 |
| 9 | 1571029 | MONEY BOX ASSEMBLY | 1 |
| 10 | 6231163 | LEG, HINGE, AND LEVELER ASSEMBLY | 1 |
| 11 | 1471237 | LEG AND LEVELER ASSEMBLY - CABINET | 3 |
| 12 | 4971007 | SCREEN ASSEMBLY - VENT | 1 |
| 13 | 1571235 | TRAY GUIDE RAIL ASSEMBLY - R.H. (TOP AND MIDDLE) | 2 |
| | 4971049 | TRAY GUIDE RAIL ASSEMBLY - R.H. (BOTTOM) | 1 |
| | 1571181 | TRAY GUIDE RAIL ASSEMBLY - L.H. (TOP AND MIDDLE) | 2 |
| | 4971026 | TRAY GUIDE RAIL ASSEMBLY - L.H. (BOTTOM) | 1 |
| 14 | 9989110 | FILTER - PANEL LINE - 3MI | 1 |
| 15 | 4971047 | CABINET WELD - N.V. BLACK | 1 |
| | 4971048 | CABINET WELD - MILLENNIA GRAY | |
| 16 | 9989637 | JUMPER - BLOWER | 1 |
| | 1471054 | BRACKET & SCREEN ASSEMBLY - EXHAUST | |
| 17 | 1471398 | BRACKET - EXHAUST FAN | 1 |
| | 6231548 | BLOWER ASSEMBLY - 115 V | 1 |
| 18 | 6401088 | BLOWER ASSEMBLY - 230 V | |
| 19 | 1571175 | PLATE - PCB RAIL - MOUNTING | 1 |
| 20 | 1596012 | PCB ASSEMBLY - TRAY | 1 |
| | 4971041 | TOP FILLER ASSEMBLY - N.V. BLACK | 1 |
| 21 | 4971043 | TOP FILLER ASSEMBLY - MILLENNIA GRAY | |
| <i>THE MONEY BOX LOCK ACCESSORY INCLUDES THE FOLLOWING:</i> | | | |
| - | 1101906 | MONEY BOX LOCK - CHICAGO - LK #1801 | 1 |
| - | 2221920 | KEY - CHICAGO LOCK - #1801 | 1 |
| - | 2222603 | NUT - LOCK RETAINING | 1 |
| - | 2222604 | WASHER - LOCK BARREL - #2693 | 1 |

Expanded Refreshment Center Parts Manual



785p0007

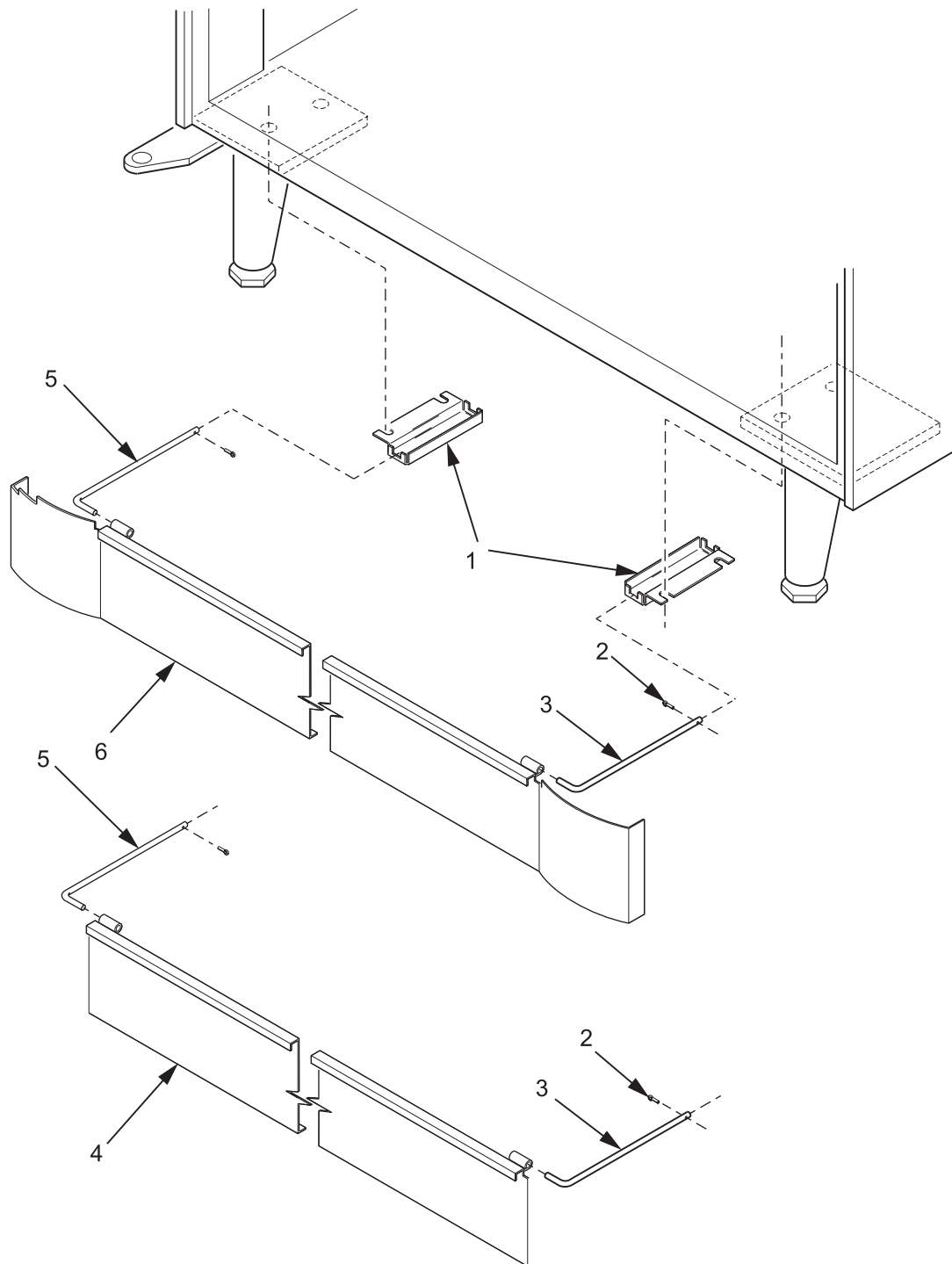
Figure 29. Common Cabinet (Part 2 of 2)

Expanded Refreshment Center Parts Manual

TABLE 28. COMMON CABINET (PART 2 OF 2)

| <i>INDEX</i> | <i>PART NUMBER</i> | <i>DESCRIPTION</i> | <i>QTY.</i> |
|--------------|--------------------|---|-------------|
| 1 | 1586017 | MAIN CONTROLLER WITH EPROM | 1 |
| 2 | 1211141 | SWITCH INTERLOCK (115V MACHINES) | 1 |
| | 2366135 | SWITCH INTERLOCK (230V MACHINES) | |
| 3 | 1571112 | COVER - CONTROL/INTERFACE PCB | 1 |
| 4 | - | POWER PANEL ASSEMBLY | 1 |
| 5 | 1576008 | PCB ASSEMBLY - SNACK INTERFACE | 1 |
| 6 | 9989687 | PCB ASSEMBLY - EXECUTIVE INTERFACE (USED WITH EXEC COIN MECH. OPTION) | 1 |

Expanded Refreshment Center Parts Manual



797p0008

Figure 30. Base Plate Assembly

Expanded Refreshment Center Parts Manual

TABLE 29. BASE PLATE ASSEMBLY

| <i>INDEX</i> | <i>PART NUMBER</i> | <i>DESCRIPTION</i> | <i>QTY.</i> |
|--------------|--------------------|---------------------------------|-------------|
| 1 | 6231087 | BASE PLATE BRACKET | 2 |
| 2 | 9900098 | COTTER PIN | 2 |
| 3 | 1411194 | SLIDE - R.H. | 1 |
| 4 | 4851082 | BASE PLATE ASSEMBLY - MILLENNIA | 1 |
| | 4111091 | BASE PLATE ASSEMBLY - STANDARD | |
| 5 | 1411195 | SLIDE - L.H. | 1 |

TABLE 30. CABINET INSULATION (MODEL 798 ONLY)

| <i>PART NUMBER</i> | <i>DESCRIPTION</i> | <i>QTY.</i> |
|--------------------|--|-------------|
| 1451097 | SCREW - #8-32 X .31 - HEX HD - T/F - BLACK | |
| 4611007 | SHUTTER - AIR DUCT | |
| 4611013 | RETAINER - TOP INSULATION | 1 |
| 4614126 | GASKET - AIR DUCT | |
| 4641025 | COVER - AIR DUCT - BLACK | |
| 4641054 | INSULATION - AIR DUCT - RIGHT SIDE - BLACK | |
| 4641059 | EXTENSION - AIR DUCT - WHITE | |
| 4774204 | SEAL - 4614927 - 18" LONG | 1 |
| 4911004 | COVER AND DUCT ASSEMBLY - BLACK INSULATION | 1 |
| 4911005 | INSULATION - BLACK - LEFT HAND SIDE - FULL | 1 |
| 4981001 | ANGLE - INSULATION - REAR | 2 |
| 4981002 | SEAL - CABINET BACK - VERTICAL | 2 |
| 4981004 | SEAL - CABINET SIDE | 2 |
| 4981006 | GASKET - AIR DUCT - .38 THICK | |
| 4981010 | SEAL - CABINET BACK - HORIZONTAL | 2 |
| 4981021 | INSULATION - CABINET TOP - BLACK | 1 |
| 4981025 | INSULATION - R.H. SIDE PIECE - BLACK - 4 INCHES WIDE | 1 |
| 4991022 | INSULATION - CABINET BACK - 40 INCH - BLACK | 1 |

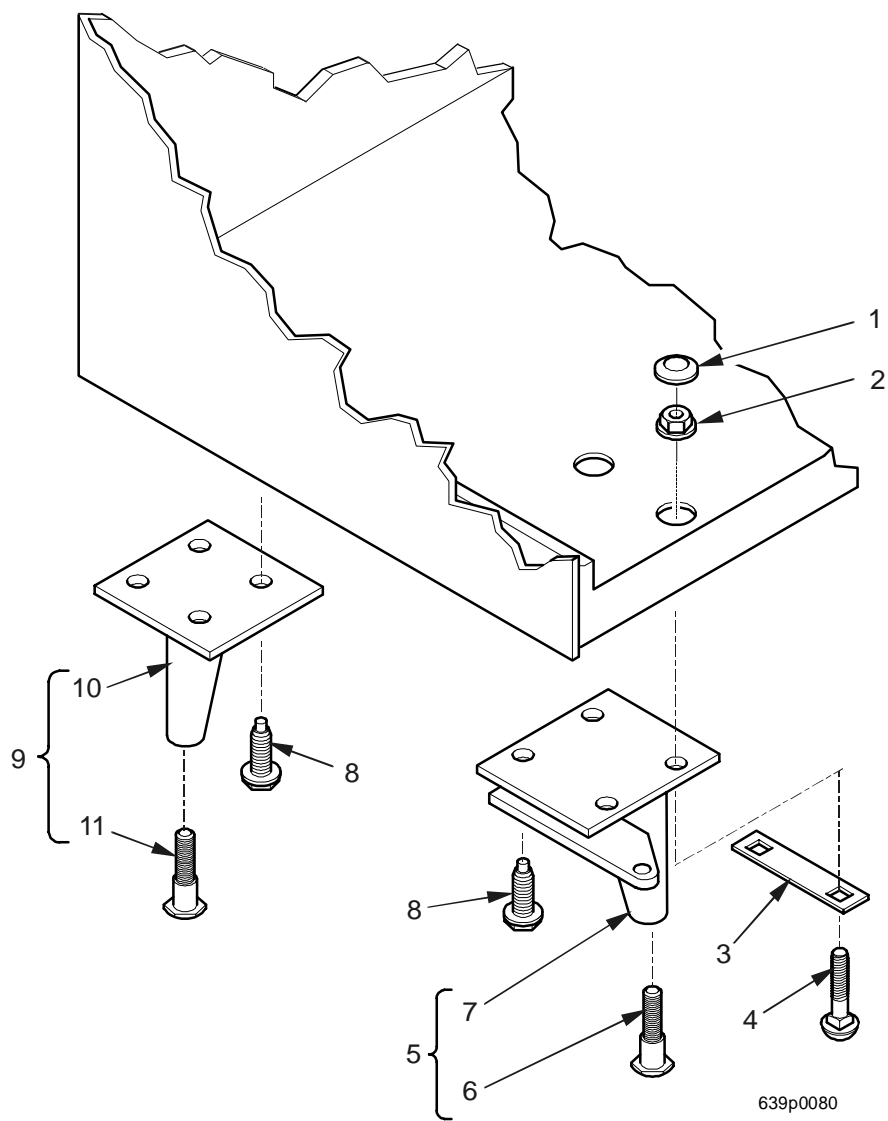


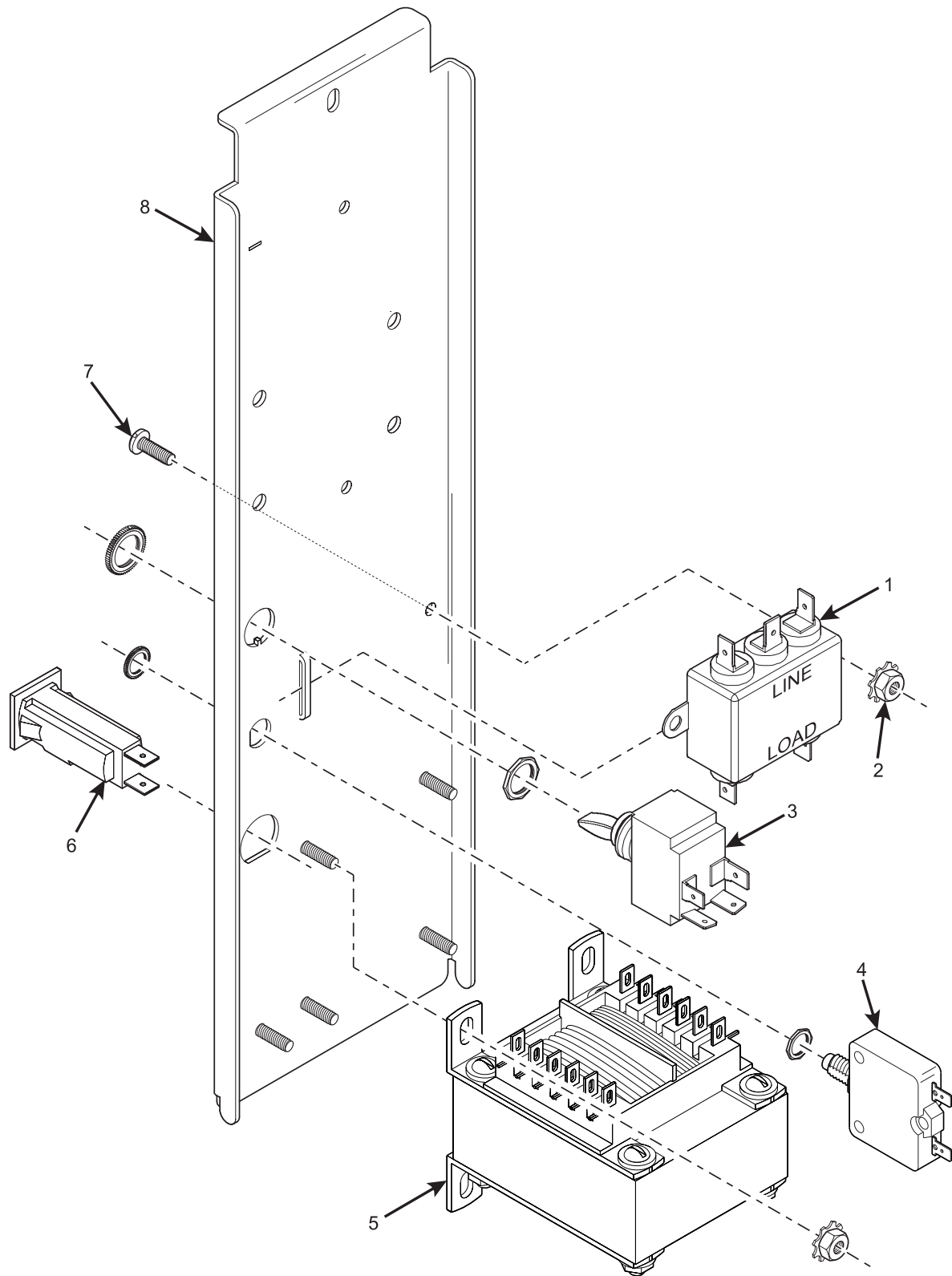
Figure 32. Leg, Leveler, and Leg and Hinge Assemblies

Expanded Refreshment Center Parts Manual

TABLE 31. LEG, LEVELER, AND LEG AND HINGE ASSEMBLIES

| <i>INDEX</i> | <i>PART NUMBER</i> | <i>DESCRIPTION</i> | <i>QTY.</i> |
|--------------|--------------------|--|-------------|
| 1 | 6231034 | PLUG - HOLE (NOT USED IN ALL APPLICATIONS) | 2 |
| 2 | 1172021 | NUT - 1/4-20 WHIZ-LOCK | 2 |
| 3 | 6231203 | PLATE - HINGE LEG BOLT | 1 |
| 4 | 1211112 | TRAY BOLT | 2 |
| 5 | 6231163 | LEG, HINGE, AND LEVELER ASSEMBLY | 1 |
| 6 | 1471098 | LEVELER - CABINET | 1 |
| 7 | 1571115 | LEG AND HINGE ASSEMBLY | 1 |
| 8 | 9900218 | SCREW - # 5/16 X 1 W/LOCKING RING | 14 |
| 9 | 1471237 | LEG AND LEVELER ASSEMBLY - CABINET | 3 |
| 10 | 1571127 | LEG ASSEMBLY - CABINET | 1 |
| 11 | 1471098 | LEVELER - CABINET | 1 |

Expanded Refreshment Center Parts Manual



170P0036

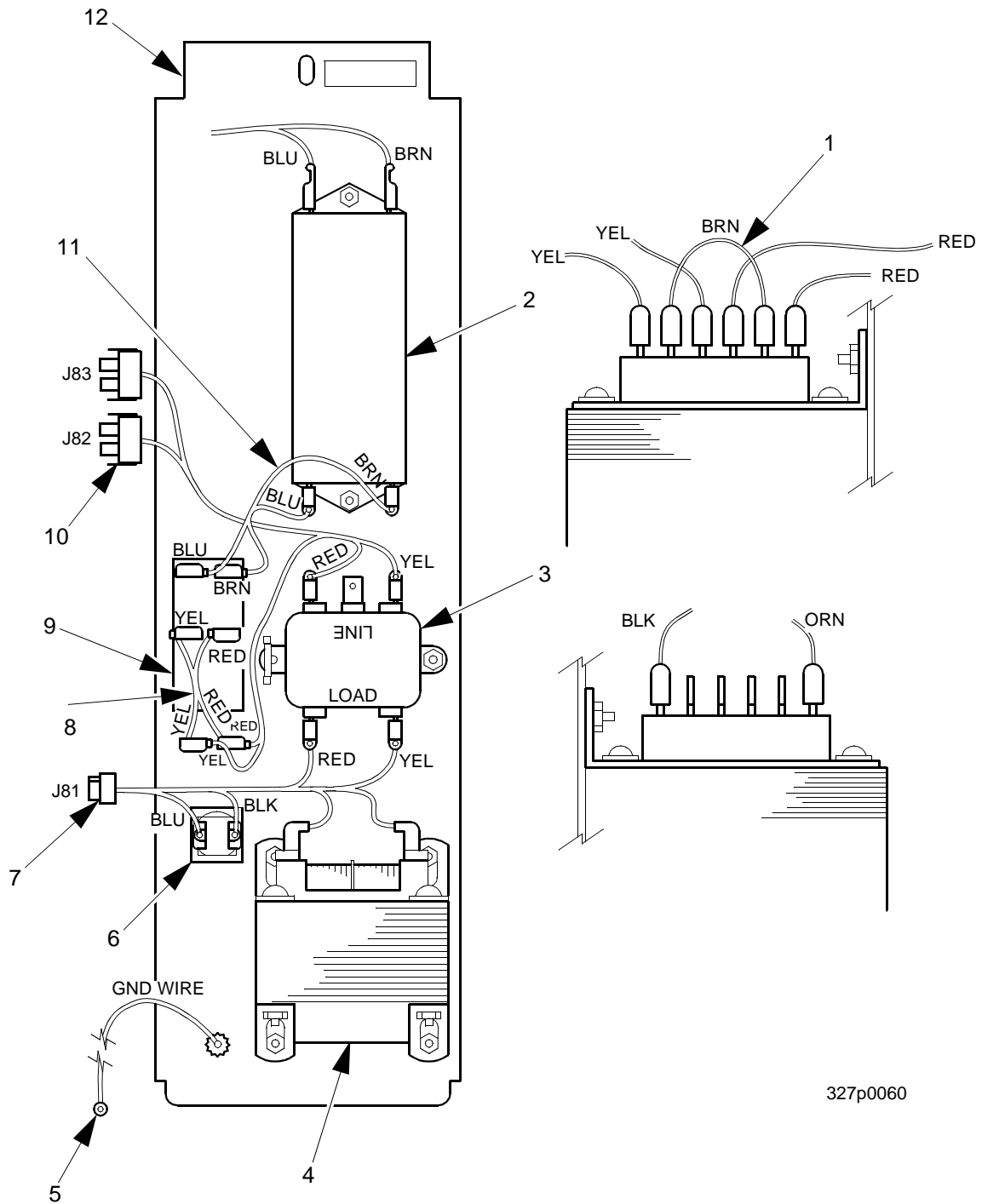
Figure 33. Power Panel Assembly - All 115 V

Expanded Refreshment Center Parts Manual

TABLE 33. POWER PANEL ASSEMBLY - ALL 115 V

| INDEX | PART NUMBER | DESCRIPTION | QTY |
|-------|-------------|--|-----|
| - | 1701015 | POWER PANEL ASSEMBLY - DOMESTIC | - |
| 1 | 9989100 | INTERFERENCE FILTER | 1 |
| 2 | 9900081 | NUT - #8-32 KEPS ZINC PLATE | 6 |
| 3 | 9984629 | SWITCH - TOGGLE - DPST - 20 AMP | 1 |
| 4 | 9989672 | BREAKER - 15 AMP | 1 |
| 5 | 9989046 | 24 V TRANSFORMER - DUAL PRI. - .187 TERM | 1 |
| 6 | 9989674 | CIRCUIT BREAKER - 4 AMP | 1 |
| 7 | 1211110 | 8-32 X 1/4 RHS MACH SCREW - Z.P. | 6 |
| 8 | 1701025 | PLATE - HOUSING - PANEL | 1 |
| - | 6849015 | JUMPER - POWER SWITCH | 1 |
| - | 9989110 | FILTER - POWER LINE - EMI | 1 |

Expanded Refreshment Center Parts Manual



327p0060

Figure 34. Power Panel Assembly - 230 V - France, Germany, Sweden

Expanded Refreshment Center Parts Manual

TABLE 34. POWER PANEL ASSEMBLY - 230 V - FRANCE, GERMANY, SWEDEN

| INDEX | PART NUMBER | DESCRIPTION | QTY |
|-------|-------------|------------------------------|-----|
| - | 4521041 | POWER PANEL ASSY-230V FR/GER | REF |
| 1 | 4279001 | JUMPER-230V-XFMR PRI | 1 |
| 2 | 9989110 | FILTER-POWER LINE-EMI | 1 |
| 3 | 9989100 | INTERFERENCE FILTER | 1 |
| 4 | 9989046 | 24V XFMR-DUAL PIR.-.187 TERM | 1 |
| 5 | 9984094 | WIRE-GROUND-14" | 1 |
| 6 | 9989674 | CIRCUIT BREAKER-4 AMP | 1 |
| 7 | 1709001 | JUMPER-TRANSFORMER-FOREIGN | 1 |
| 8 | 4529002 | JUMPER-FRENCH/GERMAN SWITCH | 1 |
| 9 | 9984627 | CIRCUIT BREAKER/SWITCH-16 AM | 1 |
| 10 | 1709000 | HARNESS-POWER PANEL-FOREIGN | 1 |
| 11 | 6849015 | JUMPER-POWER SW | 1 |
| 12 | 4521036 | PLATE-HOUSING-PANEL-FR/GER. | 1 |

Expanded Refreshment Center Parts Manual

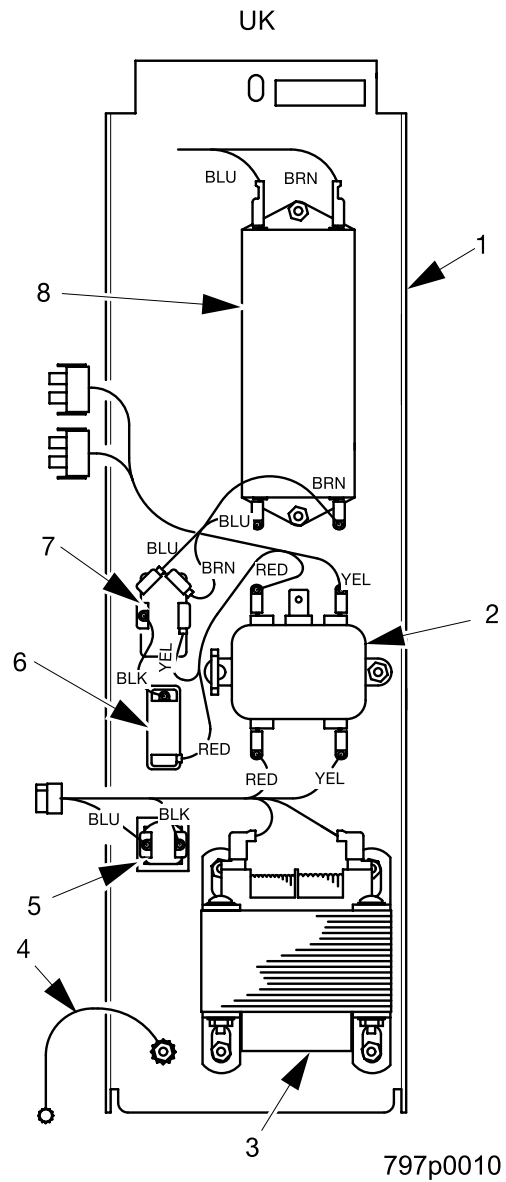


Figure 35. Power Panel Assembly - 230 Volt (Australia, Brazil, Latin America, New Zealand, South Africa, U.K., Navy Euro, China)

Expanded Refreshment Center Parts Manual

TABLE 32. POWER PANEL ASSEMBLY - 230 VOLT (AUSTRALIA, BRAZIL, LATIN AMERICA, NEW ZEALAND, SOUTH AFRICA, U.K., NAVY EURO, CHINA)

| <i>INDEX</i> | <i>PART NUMBER</i> | <i>DESCRIPTION</i> | <i>QTY.</i> |
|--------------|--------------------|--|-------------|
| - | 4521020 | POWER PANEL ASSEMBLY - 230 VOLT - U.K. | - |
| 1 | 1701025 | PLATE - HOUSING PANEL | 1 |
| 2 | 9989100 | INTERFACE FILTER | 1 |
| 3 | 9989046 | 24 V XFMR - DUAL PRI. - .187 TERM. | 1 |
| 4 | 9984165 | JUMPER - GROUND WIRE | 1 |
| 5 | 9989674 | CIRCUIT BREAKER - 4 AMP | 1 |
| 6 | 9989672 | BREAKER - 15 AMP | 1 |
| 7 | 9989629 | SWITCH - TOGGLE - DPST - 20 AMP | 1 |
| 8 | 9989100 | FILTER - POWER LINE - EMI | 1 |

Expanded Refreshment Center Parts Manual

TABLE 33. POWER PANEL ASSEMBLY - 100 VOLT - 50/60 HZ. (JAPAN)

| <i>INDEX</i> | <i>PART NUMBER</i> | <i>DESCRIPTION</i> | <i>QTY.</i> |
|--------------|--------------------|--|-------------|
| - | 1571203 | POWER PANEL ASSEMBLY - 100 VOLT - 50/60 HZ | - |
| 1 | 9989110 | FILTER - POWER LINE - EMI | 1 |
| 2 | 9989100 | INTERFACE FILTER | 1 |
| 3 | 9989046 | 24 V TRANSFORMER - DUAL POWER - .187 TERM. | 1 |
| 4 | 9984165 | JUMPER - GROUND WIRE | 1 |
| 5 | 9989674 | CIRCUIT BREAKER - 4 AMP | 1 |
| 6 | 1709001 | JUMPER - TRANSFORMER - INTERNATIONAL | 1 |
| 7 | 9989672 | BREAKER - 15A | 1 |
| 8 | 1709000 | HARNESS - POWER PANEL - INTERNATIONAL | 1 |
| 9 | 9989529 | LEAKAGE CURRENT BREAKER | 1 |
| 10 | 1709006 | JUMPER - MAIN SWITCH TO BREAKER | 1 |
| 11 | 1571204 | PLATE - HOUSING - PANEL - JAPANESE | 1 |
| 12 | 1579051 | JUMPER - GFI & FILTER | 1 |

Expanded Refreshment Center Parts Manual

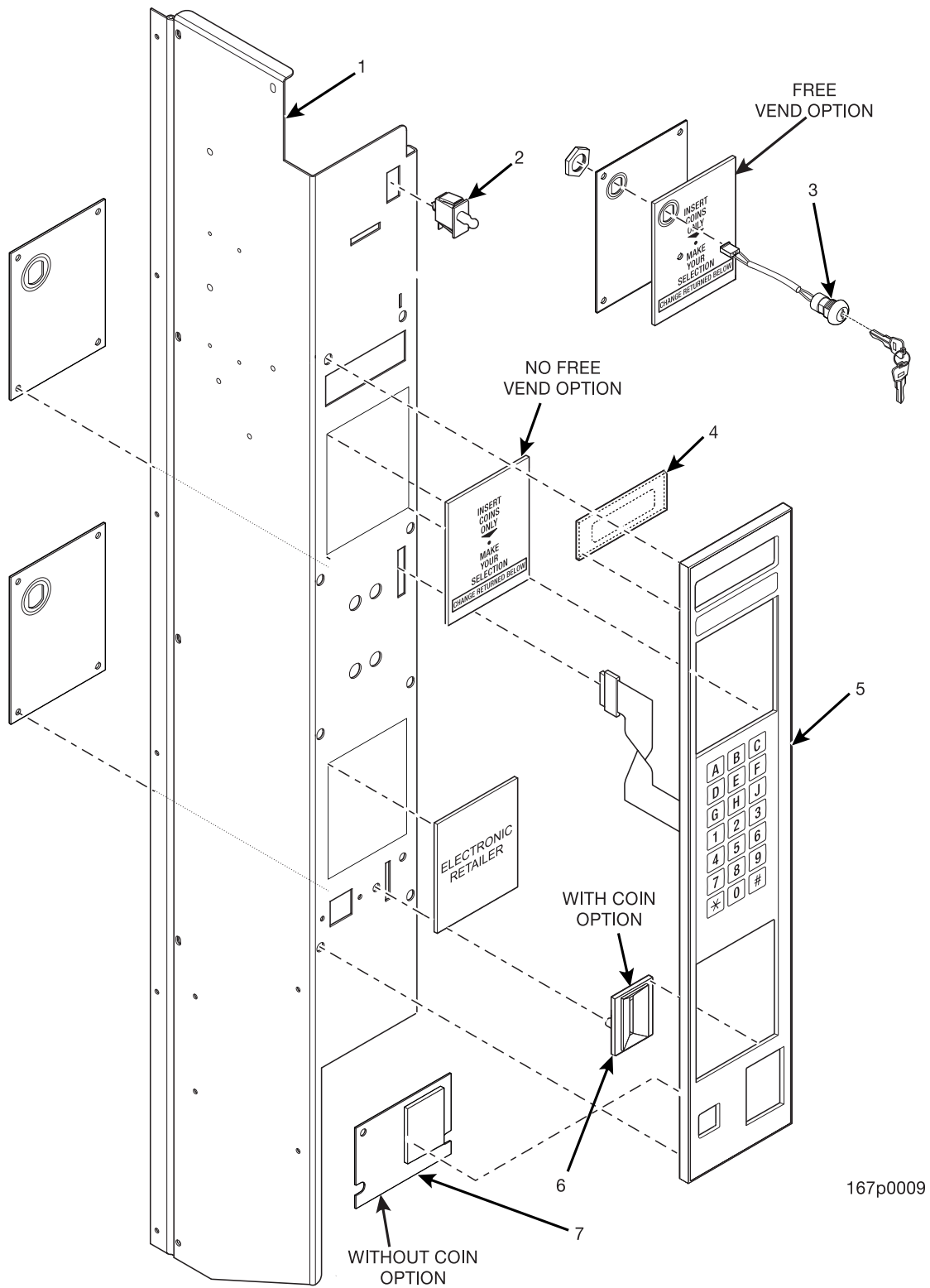


Figure 37. Monetary Panel Assembly (Part 1 of 3)

Expanded Refreshment Center Parts Manual

TABLE 34. MONETARY PANEL ASSEMBLY (PART 1 OF 3)

| <i>INDEX</i> | <i>PART NUMBER</i> | <i>DESCRIPTION</i> | <i>QTY.</i> |
|--------------|--------------------|--|-------------|
| 1 | 1575094 | MONETARY PANEL WELD ASSEMBLY - NV BLACK | 1 |
| | 4875001 | MONETARY PANEL WELD ASSEMBLY - SELECTA WHITE | |
| 2 | 1401110 | SWITCH - SERVICE | 1 |
| 3 | 9989639 | SWITCH ASSEMBLY - FREE VEND | 1 |
| 4 | 1572013 | LENS - DISPLAY | 1 |
| 5 | 1575098 | FACEPLATE ASSEMBLY (WITH COIN OPTION) | 1 |
| | 1575099 | FACEPLATE ASSEMBLY (NO COIN OPTION) | |
| 6 | 1472223 | COIN INSERT (WITH COIN OPTION) | 1 |
| 7 | - | LOWER MONETARY POSITION | - |

Expanded Refreshment Center Parts Manual

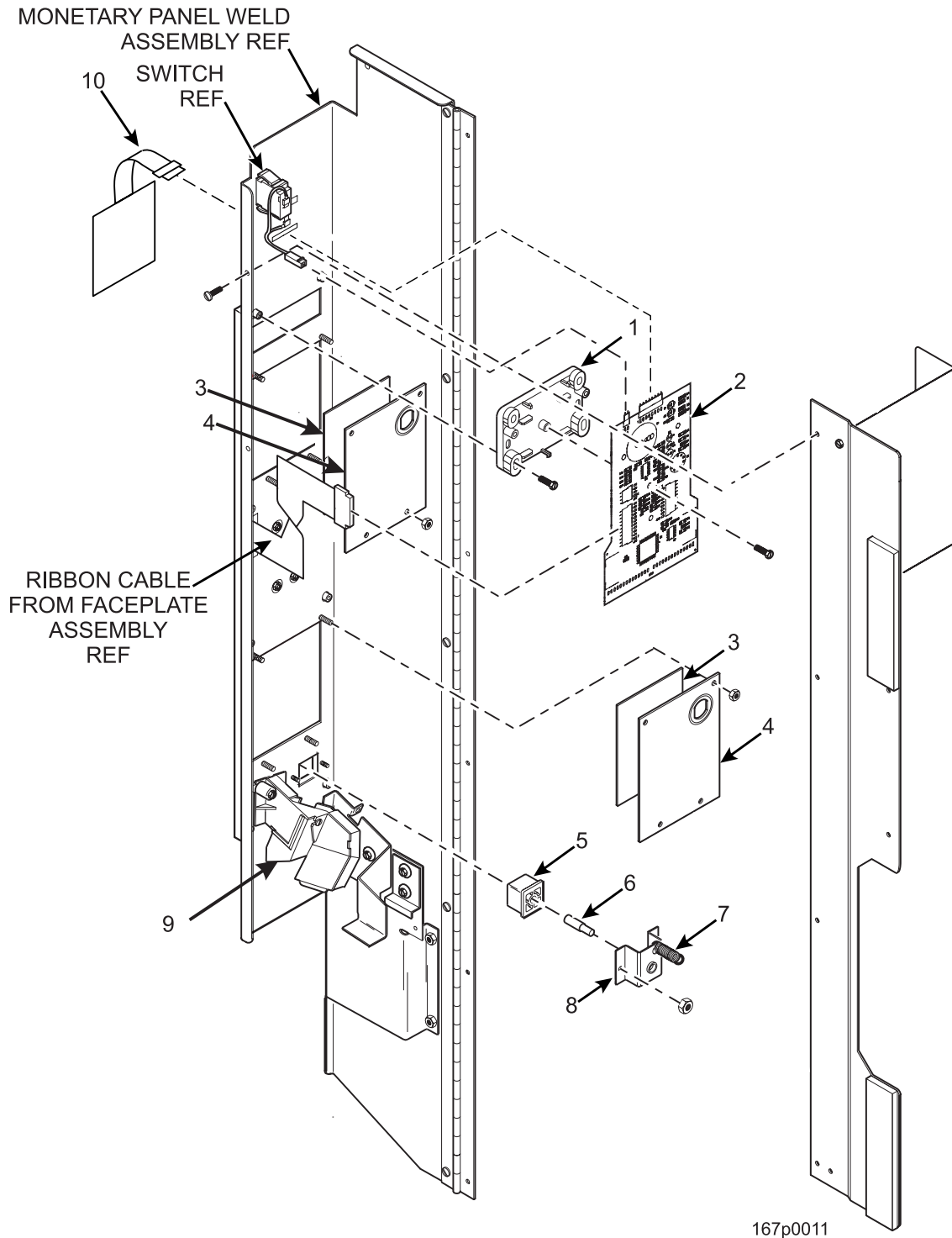


Figure 38. Monetary Panel Assembly (Part 2 of 3)

Expanded Refreshment Center Parts Manual

TABLE 35. MONETARY PANEL ASSEMBLY (PART 2 OF 3)

| INDEX | PART NUMBER | DESCRIPTION | QTY. |
|---------|--------------------------------|---|------|
| 1 | 1475099 | BRACKET - PCB DISPLAY | 1 |
| 2 | 9989685 | PCB ASSEMBLY - DISPLAY | 1 |
| 3 | 1575020 | INSERT - INSTR - BILLS - ENGLISH (WITH BILL VALIDATOR OPTION) (U.S.) | 1 |
| | 1575013 | INSERT - INSTR - COINS ONLY - ENG (U.K.) | |
| | 1575049 | INSERT - INSTR - LOWER - UK - COINS (U.K.) | |
| | 1572015 | INSERT - INSTRUCTIONS - FRENCH | |
| | 1672027 | INSERT - INSTRUCTIONS - LOWER - EUROCOIN (W/NO BILL VALIDATOR OPTION) | |
| 1572014 | INSERT - INSTRUCTIONS - GERMAN | | |
| 4 | 1575048 | PLATE - INSERT BACKING | OPT. |
| 5 | 1475026 | BUTTON - COIN RETURN | 1 |
| 6 | 1475072 | SHAFT - RETURN BUTTON | 1 |
| 7 | 1127808 | SPRING - SHELF RESET | 1 |
| 8 | 1571079 | BRACKET - COIN RETURN BUTTON | 1 |
| 9 | 1575003 | COIN CHUTE ASSEMBLY | 1 |
| 10 | 6335002 | SERVICE KEYPAD ASSEMBLY | 1 |

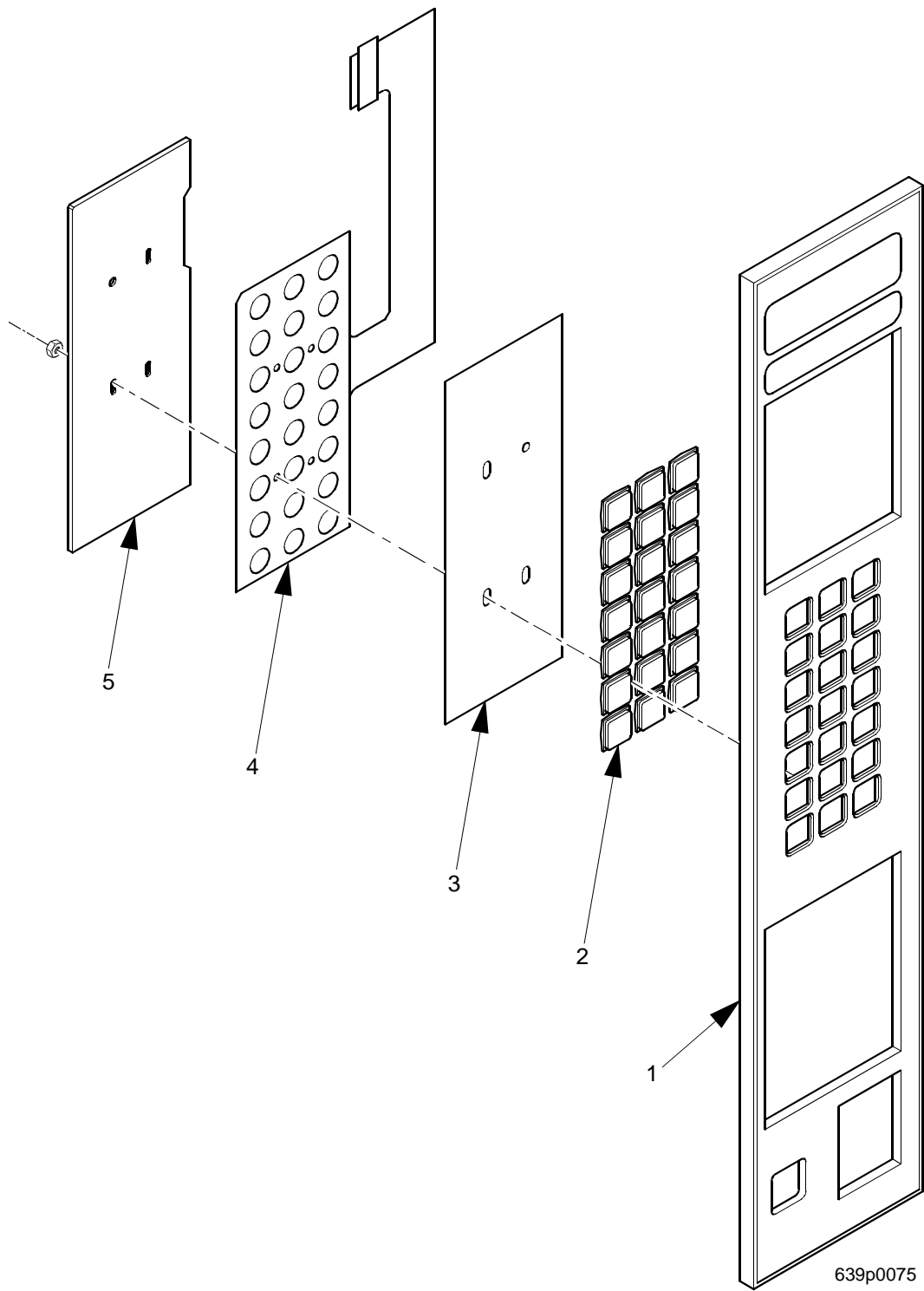


Figure 39. Monetary Panel Assembly (Part 3 of 3)

Expanded Refreshment Center Parts Manual

TABLE 36. MONETARY PANEL ASSEMBLY (PART 3 OF 3)

| <i>INDEX</i> | <i>PART NUMBER</i> | <i>DESCRIPTION</i> | <i>QTY</i> |
|--------------|--------------------|--------------------------------------|------------|
| - | 1575098 | FACE PLATE ASSEMBLY - WITH COIN | - |
| | 1575099 | FACEPLATE ASSEMBLY - NO COIN | |
| 1 | 1575001 | SELECTION PANEL (WITH COIN OPTION) | 1 |
| | 1575043 | FACE PLATE ASSEMBLY (NO COIN OPTION) | |
| 2 | 1472251 | LENS - PUSHBUTTON | 21 |
| 3 | 1575010 | LETTER SHEET - SELECTION SWITCH | 1 |
| 4 | 9984630 | MEMBRANE SWITCH ASSEMBLY -SELECT | 1 |
| 5 | 1575091 | PLATE - SELECT SWITCH - BACK UP | 1 |
| 6 | 1475089 | 1/8" NUT - SELF-THREADING | 4 |

Expanded Refreshment Center Parts Manual

| | | | | | |
|---|---|--|--|--|--|
| <p>INSERT COINS ONLY ▼ • MAKE YOUR SELECTION CHANGE RETURNED BELOW</p> | <p>COINS & BILLS: U.S., CHINA, SAUDI ARABIA</p> | <p>INTRODUZCA MONEDAS O BILLETES ▼ • HAGA SU SELECCIÓN CAMBIO DEVUELTO ABAJO</p> | <p>COINS & BILLS: SPANISH LANGUAGE</p> | <p>INSERT COINS ONLY ▼ • MAKE YOUR SELECTION CHANGE RETURNED BELOW</p> | <p>COINS ONLY: U.S., AUSTRALIA, NEW ZEALAND, U.K., SINGAPORE</p> |
| <p>1575012</p> | | <p>1575018</p> | | <p>1575013</p> | |
| <p>INSEREZ VOTRE MONNAIE • FAITES VOTRE CHOIX • RENDU MONNAIE CI-DESSOUS</p> | <p>COINS ONLY: FRANCE</p> | <p>lägg mynt ▼ Välj produkt Växel i retur skål</p> | <p>COINS ONLY: SWEDEN</p> | <p>INTRODUCIR MONEDAS UNICAMENTE ▼ • HAGA SU SELECCIONE Devolucion / Cambio En La Parte Inferior</p> | <p>COINS ONLY: SPANISH LANGUAGE</p> |
| <p>1572015</p> | | <p>1575052</p> | | <p>1575014</p> | |
| <p>DEPOSITE EL DINERO • SELECCIONE EL PRODUCTO • RECOJA EL CAMBIO</p> | <p>COINS ONLY: LATIN AMERICA, ARGENTINA, MEXICO</p> | <p>GELD INWERPEN • MAAK UW KEUSE GELDTERUGGAVE HIERONDER</p> | <p>COINS ONLY: BELGIUM</p> | <p>ご利用方法 1. お好みの商品を選んで下さい。 2. お金を下の投入口から入れて下さい。 3. お好みの商品番号のボタン(アルファベット+数字)を押して下さい。 4. 下の取出口を押して商品を取り出して下さい。 5. 釣銭・資金は下のコイン返却口から取って下さい。 6. 有り難う御座いました。</p> | <p>COINS ONLY: JAPAN</p> |
| <p>1575015</p> | | <p>1575082</p> | | <p>1575066</p> | |
| <p>AUTOMATEN VERKAUF 0,10 0,50 1 DM 2DM 5DM</p> | <p>COINS ONLY: GERMANY</p> | <p>INTRODUZCA BILLETES ▼ • HAGA SU SELECCIÓN</p> | <p>BILLS ONLY: VENEZUELA</p> | <p>INSERT BILLS ▼ • MAKE YOUR SELECTION</p> | <p>BILLS ONLY: KUWAIT</p> |
| <p>1575038</p> | | <p>1575017</p> | | <p>1575020</p> | |
| <p>INSERT 500 LIVRES OR 1000 LIVRES NOTES ONLY ▼ • MAKE YOUR SELECTION PLEASE USE EXACT AMOUNT ONLY</p> | <p>BILLS ONLY: LEBANON</p> | <p>INSTRUÇÕES • INTRODUZA SOMENTE FICHAS</p> | <p>NO VALIDATOR; TOKENS: BRAZIL</p> | <p>497P0100</p> | |
| <p>1575021</p> | | <p>1575016</p> | | | |

Figure 40. Monetary Inserts - Upper Position

Expanded Refreshment Center Parts Manual

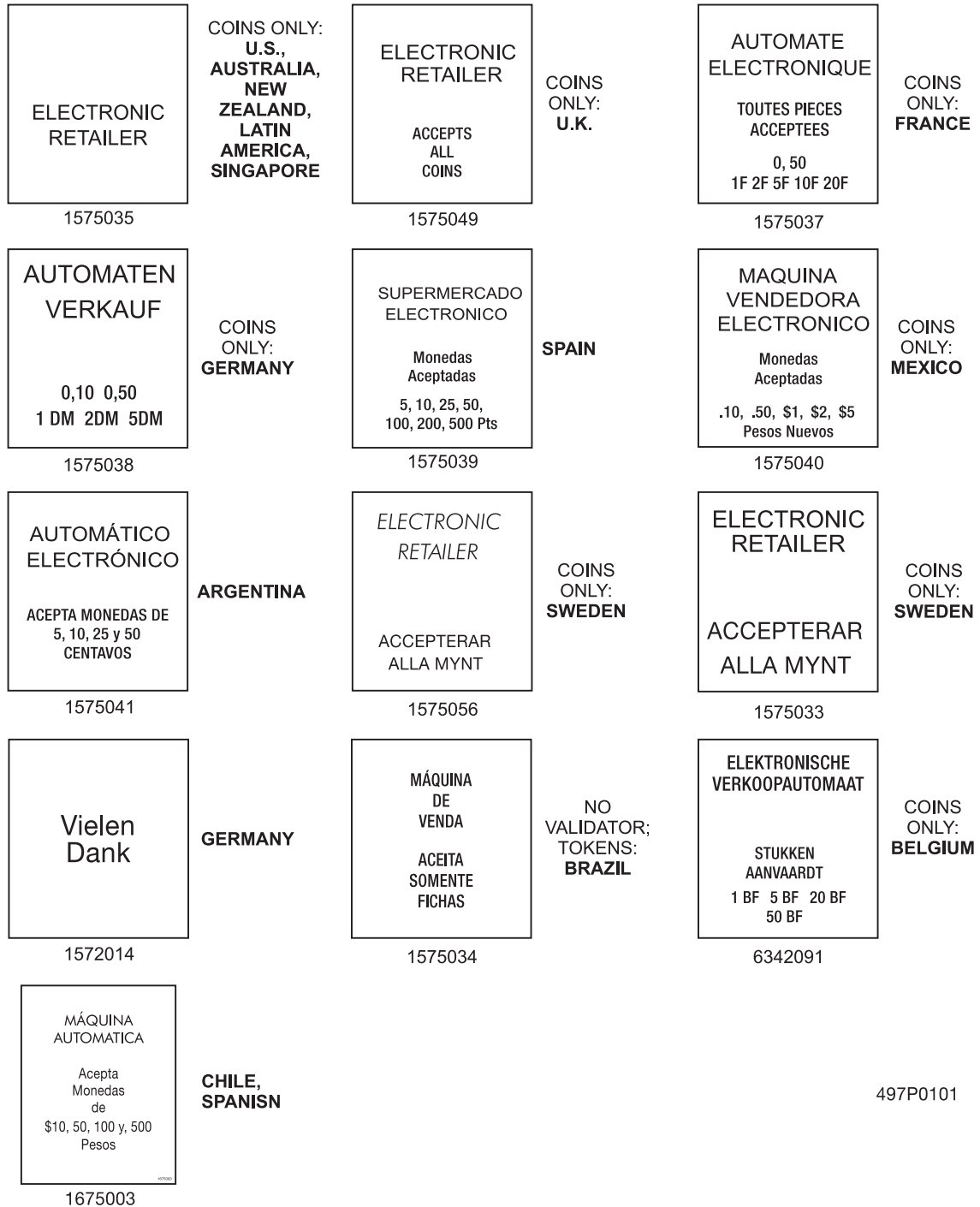
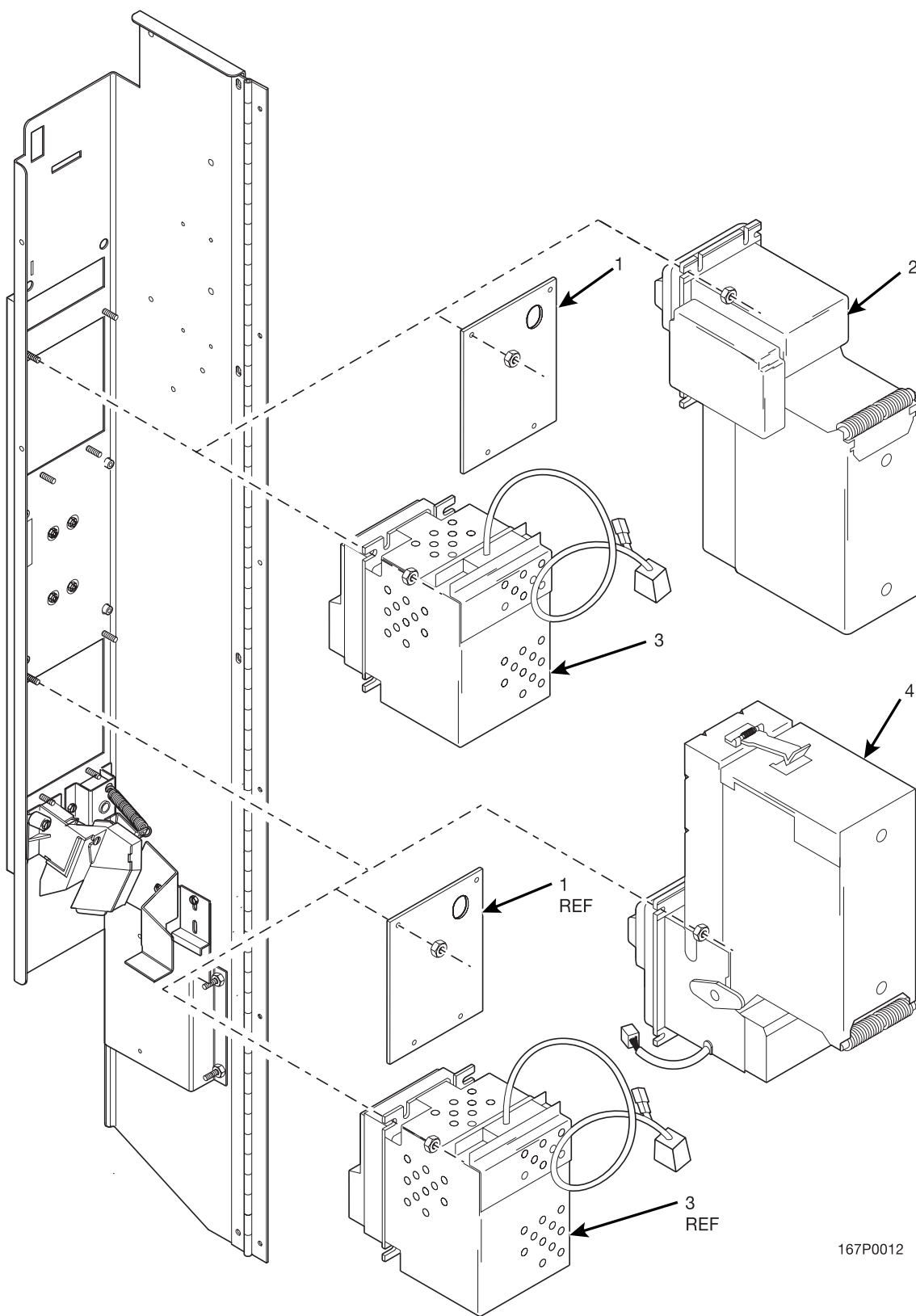


Figure 41. Monetary Inserts - Lower Position

Expanded Refreshment Center Parts Manual



167P0012

Figure 42. Card Reader and Bill Validator Combinations

Expanded Refreshment Center Parts Manual

TABLE 39. CARD READER AND BILL VALIDATOR COMBINATIONS

| INDEX | PART NUMBER | DESCRIPTION |
|-------|-------------|---|
| 1 | 1575048 | INSTRUCTION INSERT BACKING PLATE |
| 2 | 9900081 | NUT |
| 3 | - | DEBIT CARD READER (SEE TABLE 39 A FOR DETAILS) |
| 4 | - | UPSTACK BILL VALIDATOR (SEE TABLE 39 A FOR DETAILS) |

TABLE 39 A. MONETARY LOCATION OPTIONS

| MONETARY CAPABILITY | MONETARY PANEL LOCATION | | WITH COIN? |
|---------------------|---|---|------------|
| | UPPER | LOWER | |
| COIN - VAL - CARD | CARD READER | UPSTACK VALIDATOR | YES |
| COIN - VAL | INSERT INSTRUCTIONS BACK-UP PLATE (1575048) | UPSTACK VALIDATOR | YES |
| COIN - CARD | INSERT INSTRUCTIONS BACK-UP PLATE (1575048) | CARD READER | YES |
| COIN - CARD | CARD READER | INSERT INSTRUCTIONS BACK-UP PLATE (1575048) | YES |
| VAL - CARD | CARD READER | UPSTACK VALIDATOR | NO |
| COIN ONLY | INSERT INSTRUCTIONS BACK-UP PLATE (1575048) | INSERT INSTRUCTIONS BACK-UP PLATE (1575048) | YES |
| VAL ONLY | INSERT INSTRUCTIONS BACK-UP PLATE (1575048) | UPSTACK VALIDATOR | NO |
| CARD ONLY | CARD READER | INSERT INSTRUCTIONS BACK-UP PLATE (1575048) | NO |
| CARD ONLY | INSERT INSTRUCTIONS BACK-UP PLATE (1575048) | CARD READER | NO |

Expanded Refreshment Center Parts Manual

TABLE 39 B. COIN MECHANISM OPTIONS

| <i>PART NUMBER</i> | <i>DESCRIPTION</i> |
|--------------------|--|
| 1600851 | MARS CASH FLOW - MDB - CHINA |
| 5307321 | COINTRON 3000 - US COIN VAL |
| 5900094 | COINCO 9300L COIN UNIT |
| 5900096 | COINCO 9340L COIN UNIT |
| 5900112 | MARS MC5000 COIN UNIT |
| 5900116 | MARS TRC6000 COIN UNIT |
| 5900192 | COIN UNIT - CONLUX USLX 00401F |
| 5900209 | COIN UNIT - CONLUX - USLZ - 001 - MDB |
| 5900213 | COIN UNIT - COINCO - 9302 - GX - MDB |
| 5900214 | COIN UNIT - MARS - VN 4510 - MDB |
| 5900216 | COIN UNIT - MARS - VN 4000, 110V |
| 5900217 | COIN UNIT - MARS - VN 4010 XV - 24V |
| 5900222 | COIN UNIT - MARS - TRC 6000 - ASV |
| 5900237 | COIN UNIT - CONLUX USLX - 001 120V |
| 5900240 | COIN UNIT - C.F. MDB - CUSTOMER SUPPLIED |
| 5900242 | COIN UNIT - CASH FLOW - CHINA - MDB |
| 5900243 | COIN UNIT - TRC 6512 MDB - 1195500 |
| 5900244 | COIN UNIT - COINCO - USD - G701 - MDB |
| 6400002 | COIN CHANGER - MARS #TRC 6010XV |
| 6400003 | COIN CHANGER - COINCO # 9302LF-24 |

Expanded Refreshment Center Parts Manual

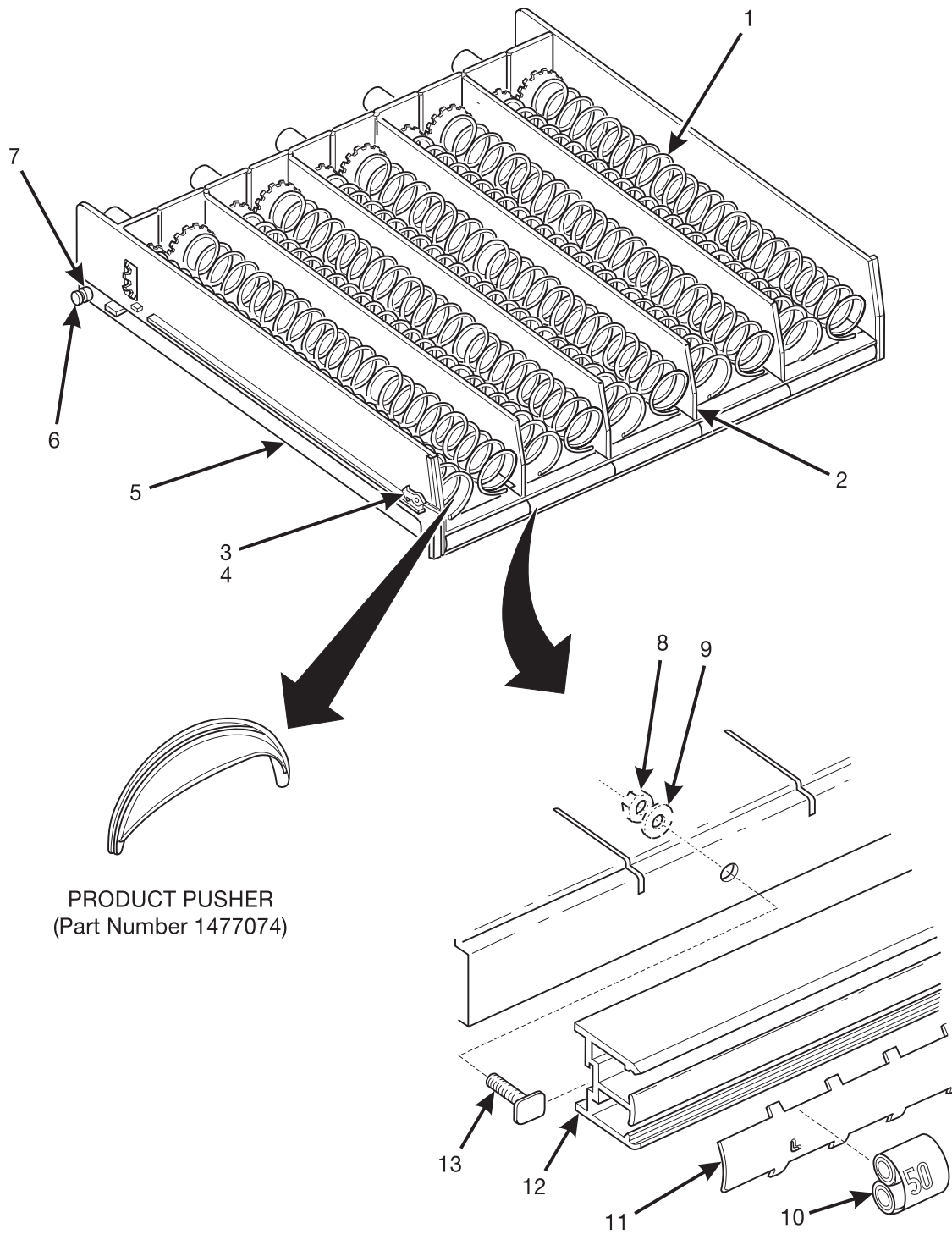
TABLE 39 C. BILL VALIDATOR OPTIONS

| <i>PART NUMBER</i> | <i>DESCRIPTION</i> | <i>USE WITH HARNESS PART NUMBER</i> |
|------------------------------|---|---|
| 5900198 | VALIDATOR - MARS - S2000 - VN 2311 - U5E | 1579005 |
| 5900182 | VALIDATOR - COINCO - BA305A | 1579028 |
| 5900193 | VALIDATOR - MARS - S2000 - VN 2511 - U5E - CN5 | |
| 5900233 | VALIDATOR - CONLUX MKA 2152-12B 120V | |
| 5900245 | STACKER - CASH CODE - 400 BILL CAPACITY - WITH LOCK (CHINA) | - |
| 5900205 | VALIDATOR - MARS - VN2512-U5E - 24V | 1579032 (HARNESS) 9989718 (JUMPER) |
| 5900221 | VALIDATOR - COINCO - BA32SA - 24V | |
| 5900234 | VALIDATOR - CONLUX - 2162 - 24V - 300 | |
| 1475053 | VALIDATOR - MAKA - NB - 1KB - 400 WITH MASK "K" INSTALLED | 1579006 |
| 5900248 | VALIDATOR - MARS - AG2611 - U5B - SERIAL | 1579028 |
| <i>MDB VALIDATOR OPTIONS</i> | | |
| 5900182 | VALIDATOR - COINCO - BA 30SA | 1579034 |
| 5900210 | VALIDATOR - MARS - VN 2512 - USM/500 - MDB | - |
| 5900234 | VALIDATOR - CONLUX - 2162 - 24V - 300 | 1579050 |
| 5900242 | VALIDATOR - CASH CODE - CHINA - MDB | - |
| 5900247 | VALIDATOR - MARS - AE2612 - U5M - MDB | - |

TABLE 39 D. CARD READER OPTIONS

| <i>PART NUMBER</i> | <i>DESCRIPTION</i> |
|--------------------|--------------------------------|
| 1475107 | DEBITEK #VIS-MM-NAT SYSTEM III |
| 1575050 | BRACKET - DEBITEK CONTROLLER |

Expanded Refreshment Center Parts Manual



497p0078

Figure 43. Snack Tray Assembly (Part 1 of 2)

Expanded Refreshment Center Parts Manual

TABLE 40. SNACK TRAY ASSEMBLY (PART 1 OF 2)

| <i>INDEX</i> | <i>PART NUMBER</i> | <i>DESCRIPTION</i> | <i>QTY.</i> |
|--------------|--------------------|--|-------------|
| - | 1597001 | TRAY ASSEMBLY - 5 SNACK | 1 |
| 1 | - | SPIRAL (OPTIONAL) (SEE TABLE 45 A FOR DETAILS) | - |
| 2 | 1477175 | WALL - TRAY | 4 |
| 3 | 1477017 | LATCH | 2 |
| 4 | 5201267 | PUSH ON RETAINER - .312 | 2 |
| 5 | 1577040 | TRAY - 5 & 10 DIVISION | 1 |
| 6 | 1477097 | AXLE - TRAY ROLLER | 2 |
| 7 | 1477148 | ROLLER - TRAY | 2 |
| 8 | 9900030 | NUT #8-32 SELF-LOCKING | 3 |
| 9 | 5560113 | WASHER - HOPPER RELEASE | 3 |
| 10 | 1477014 | ROLL - PRICE - CENTS | 5 |
| 11 | 1477157 | HOLDER - PRICE & SELECTION | 1 |
| 12 | 1477134 | RAIL - PRICE & SELECTION | 1 |
| 13 | 2222031 | TEE BOLT - TRIM | 3 |

Expanded Refreshment Center Parts Manual

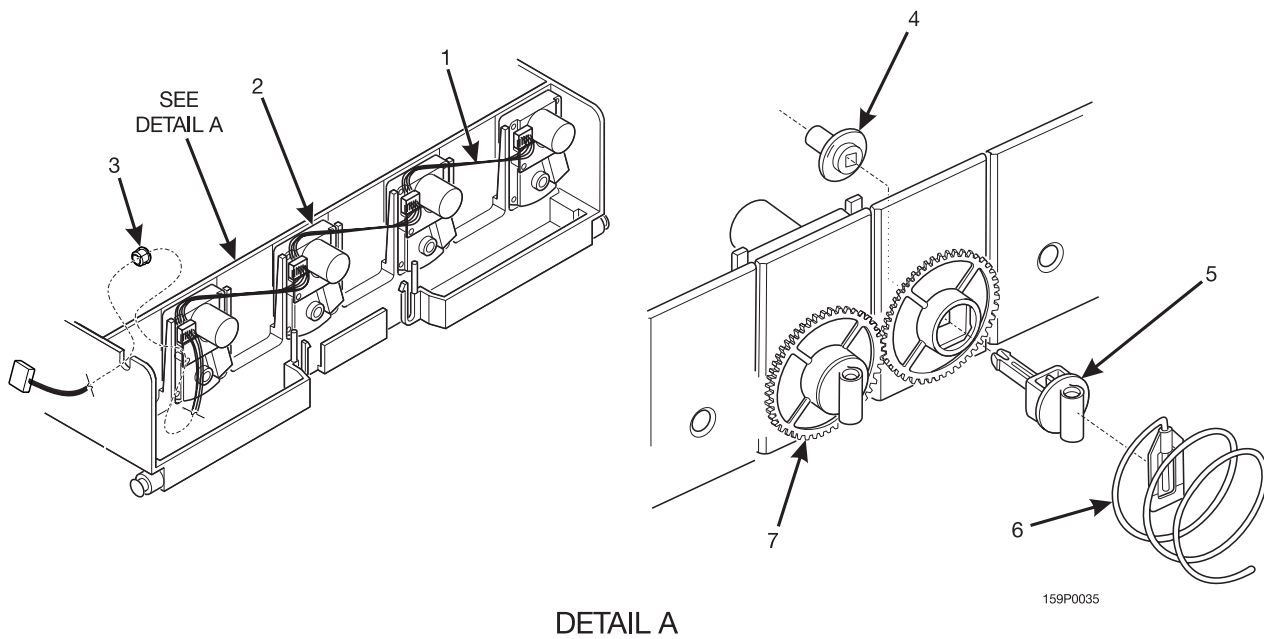


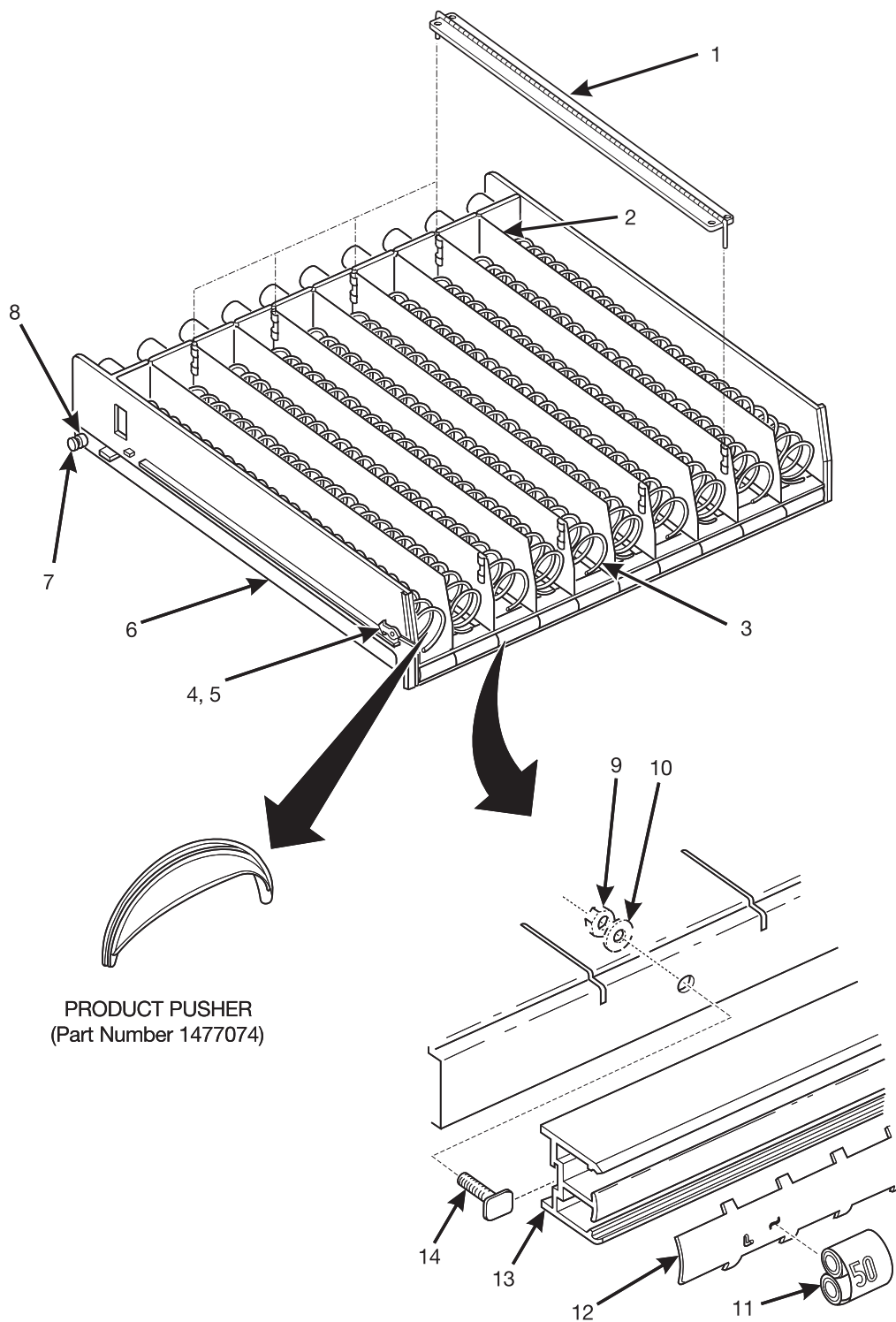
Figure 44. Snack Tray Assembly (Part 2 of 2)

Expanded Refreshment Center Parts Manual

TABLE 41. SNACK TRAY ASSEMBLY (PART 2 OF 2)

| <i>INDEX</i> | <i>PART NUMBER</i> | <i>DESCRIPTION</i> | <i>QTY.</i> |
|--------------|--------------------|--------------------------------------|-------------|
| 1 | 1599012 | HARNESS - 5 MOTOR TRAY | 1 |
| 2 | 1577035 | MOTOR & PCB ASSEMBLY | 5 |
| 3 | 3502097 | BUSHING | 1 |
| 4 | 1477022 | BEARING - COUPLER | 5 |
| 5 | 1477113 | COUPLING - SPIRAL | 10 |
| 6 | - | SPIRALS (SEE TABLE 45 A FOR DETAILS) | - |
| 7 | 1477020 | GEAR - TRAY | 10 |

Expanded Refreshment Center Parts Manual



497p0079

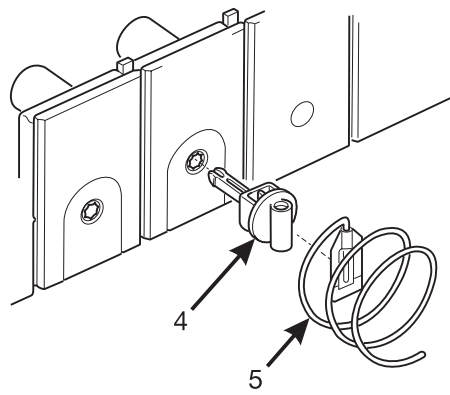
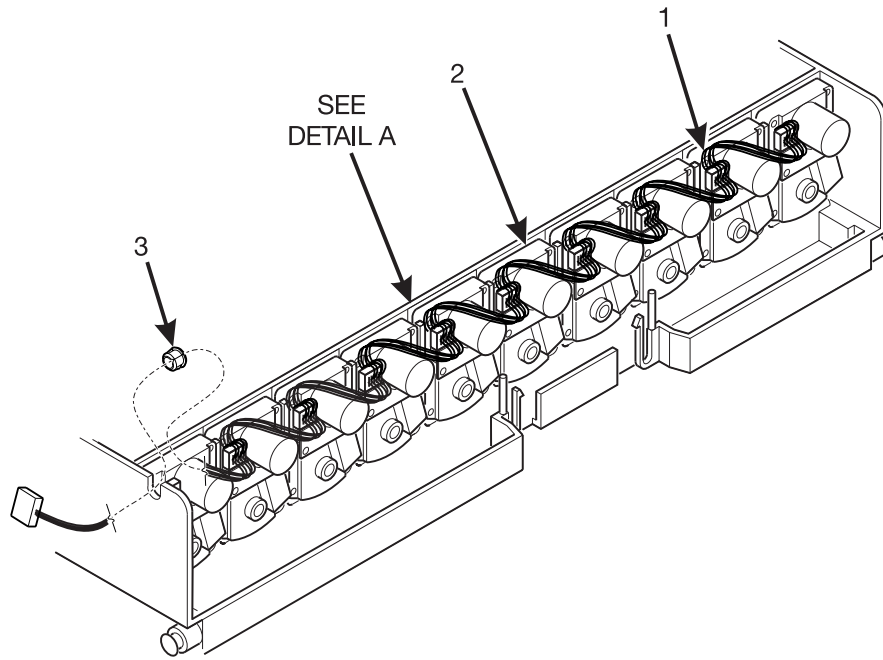
Figure 45. Candy Tray Assembly (Part 1 of 2)

Expanded Refreshment Center Parts Manual

TABLE 42. CANDY TRAY ASSEMBLY (PART 1 OF 2)

| <i>INDEX</i> | <i>PART NUMBER</i> | <i>DESCRIPTION</i> | <i>QTY.</i> |
|--------------|--------------------|--|-------------|
| - | 1597002 | TRAY ASSEMBLY - 10 CANDY | 1 |
| 1 | 1677193 | SPACER - ADJUSTABLE | 4 |
| 2 | 1477175 | WALL - TRAY | 9 |
| 3 | - | SPIRAL (OPTIONAL) (SEE TABLE 45 A FOR DETAILS) | - |
| 4 | 1477017 | LATCH | 2 |
| 5 | 5201267 | PUSH ON RETAINER - .312 | 2 |
| 6 | 1577040 | TRAY - 5 & 10 DIVISION | 1 |
| 7 | 1477097 | AXLE - TRAY ROLLER | 2 |
| 8 | 1477148 | ROLLER - TRAY | 2 |
| 9 | 9900030 | NUT #8-32 SELF-LOCKING | 3 |
| 10 | 5560113 | WASHER - HOPPER RELEASE | 3 |
| 11 | 1477014 | ROLL - PRICE - CENTS | 10 |
| 12 | 1477157 | HOLDER - PRICE & SELECTION | 1 |
| 13 | 1477134 | RAIL - PRICE & SELECTION | 1 |
| 14 | 2222031 | TEE BOLT - TRIM | 3 |

Expanded Refreshment Center Parts Manual



159PO025

DETAIL A

Figure 46. Candy Tray Assembly (Part 2 of 2)

Expanded Refreshment Center Parts Manual

TABLE 43. CANDY TRAY ASSEMBLY (PART 2 OF 2)

| <i>INDEX</i> | <i>PART NUMBER</i> | <i>DESCRIPTION</i> | <i>QTY.</i> |
|--------------|--------------------|--------------------------------------|-------------|
| 1 | 1599013 | HARNESS - 10 MOTOR TRAY | 1 |
| 2 | 1577035 | MOTOR & PCB ASSEMBLY | 10 |
| 3 | 3502907 | BUSHING | 1 |
| 4 | 1477113 | COUPLING - SPIRAL | 10 |
| 5 | - | SPIRALS (SEE TABLE 45 A FOR DETAILS) | - |

Expanded Refreshment Center Parts Manual

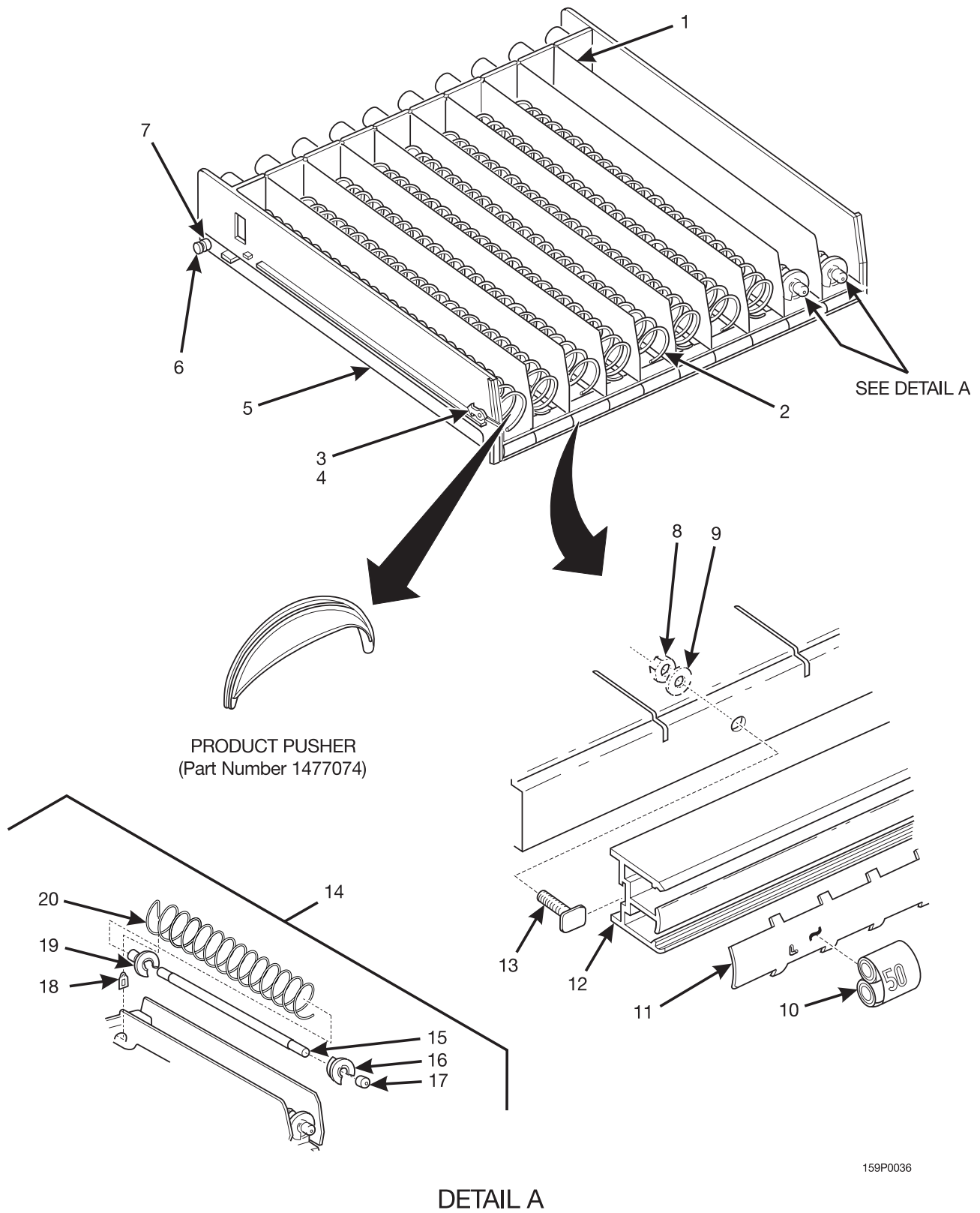


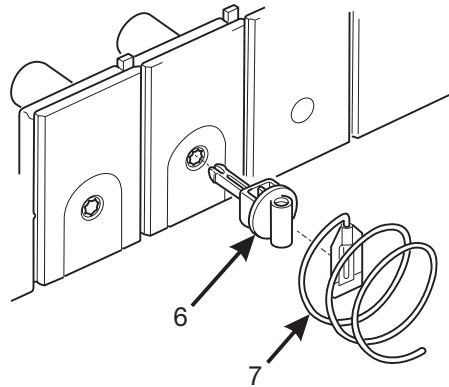
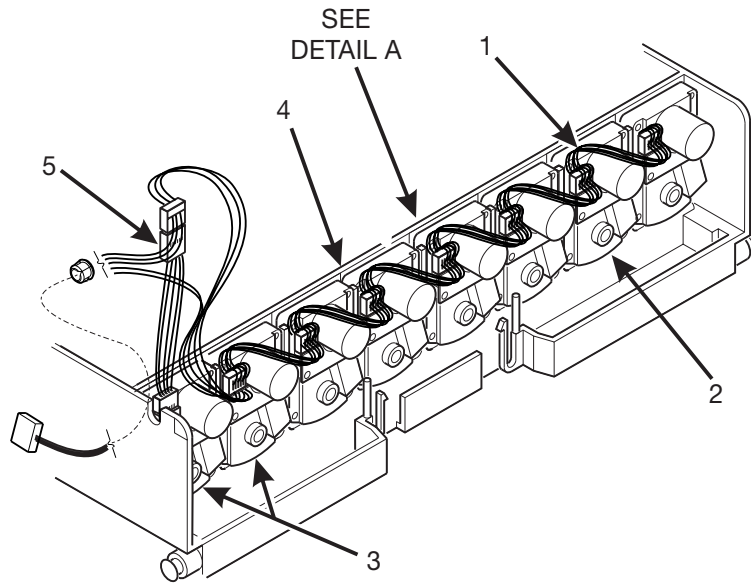
Figure 47. Gum and Mint Tray Assembly (Part 1 of 2)

Expanded Refreshment Center Parts Manual

TABLE 44. GUM AND MINT TRAY ASSEMBLY (PART 1 OF 2)

| INDEX | PART NUMBER | DESCRIPTION | QTY. |
|-------|-------------|--|------|
| - | 1597003 | TRAY ASSEMBLY - 8 CANDY - 2 GUM | 1 |
| 1 | 1477175 | WALL - TRAY | 9 |
| 2 | - | SPIRAL (OPTIONAL) (SEE TABLE 45 A FOR DETAILS) | - |
| 3 | 1477017 | LATCH | 2 |
| 4 | 5201267 | PUSH ON RETAINER - .312 | 2 |
| 5 | 1577040 | TRAY - 5 & 10 DIVISION | 1 |
| 6 | 1477097 | AXLE - TRAY ROLLER | 2 |
| 7 | 1477148 | ROLLER - TRAY | 2 |
| 8 | 9900030 | NUT #8-32 SELF-LOCKING | 3 |
| 9 | 5560113 | WASHER - HOPPER RELEASE | 3 |
| 10 | 1477014 | ROLL - PRICE - CENTS | 10 |
| 11 | 1477157 | HOLDER - PRICE & SELECTION | 1 |
| 12 | 1477134 | RAIL - PRICE & SELECTION | 1 |
| 13 | 2222031 | TEE BOLT - TRIM | 3 |
| 14 | 1467127 | SPIRAL ASSEMBLY - DUAL GUM & MINT (INCLUDES INDEX NUMBERS 15 - 20) | 2 |
| 15 | 1467131 | SPIRAL INSERT ASSEMBLY | 1 |
| 16 | 1467129 | DISC - SPIRAL INSERT | 1 |
| 17 | 1467136 | CAP - SPIRAL INSERT | 2 |
| 18 | 1467130 | DISC - SPIRAL INSERT | 1 |
| 19 | 1467137 | RETAINER - SPIRAL - ORANGE | 1 |
| 20 | 1467128 | SPIRAL - 2.65 DIAMETER - DUAL GUM & MINT | 1 |

Expanded Refreshment Center Parts Manual



DETAIL A

159P0038

Figure 48. Gum and Mint Tray Assembly (Part 2 of 2)

Expanded Refreshment Center Parts Manual

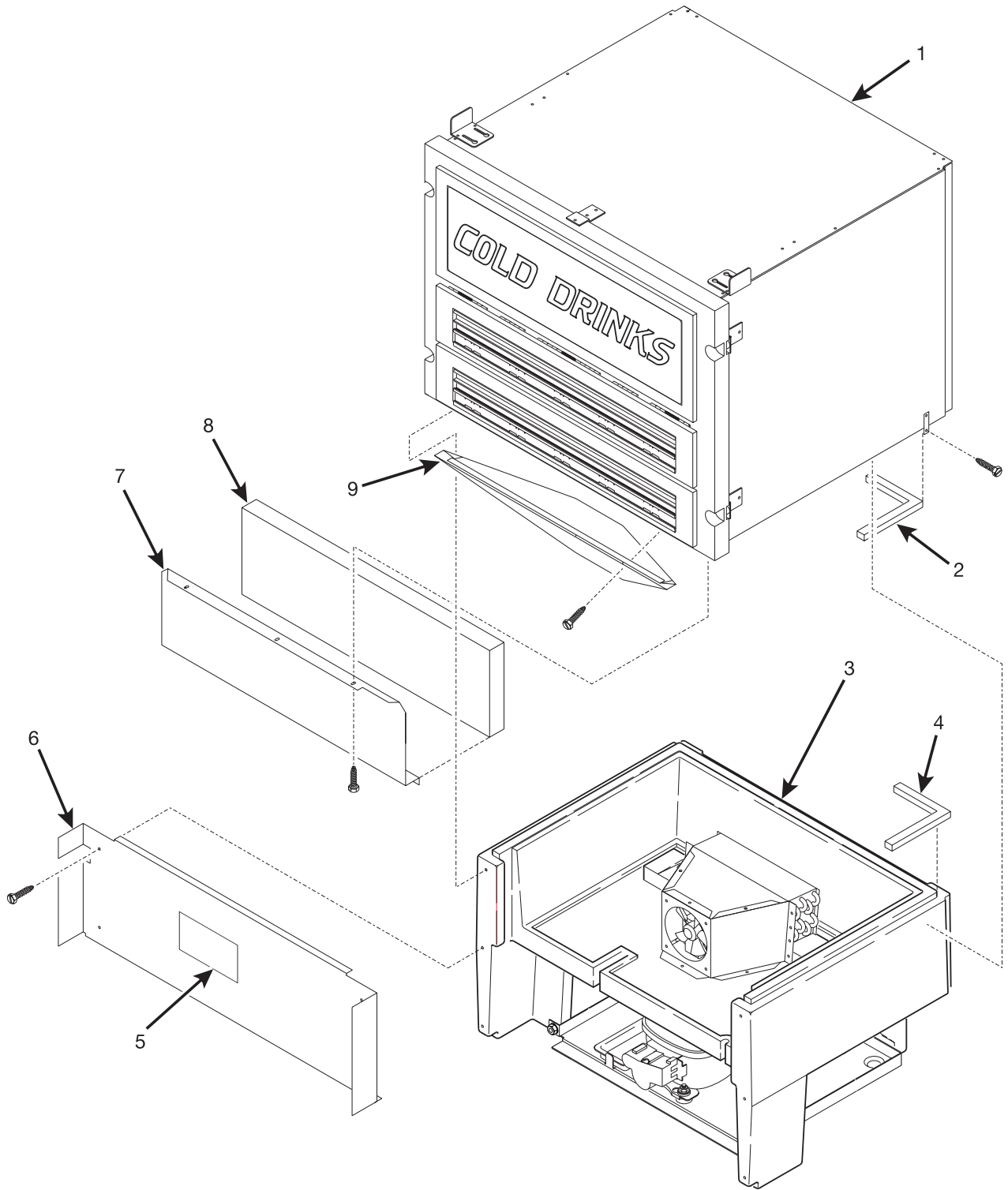
TABLE 45. GUM AND MINT TRAY ASSEMBLY (PART 2 OF 2)

| INDEX | PART NUMBER | DESCRIPTION | QTY. |
|-------|-------------|--------------------------------------|------|
| 1 | 1599013 | HARNESS - 10 MOTOR TRAY | 1 |
| 2 | 1577035 | MOTOR & PCB ASSEMBLY | 8 |
| 3 | 1477114 | MOTOR & PCB ASSEMBLY | 2 |
| 4 | 3502097 | BUSHING | 1 |
| 5 | 1477156 | JUMPER ASSEMBLY - MOTOR REVERSING | 1 |
| 6 | 1477113 | COUPLING - SPIRAL | 10 |
| 7 | - | SPIRALS (SEE TABLE 45 A FOR DETAILS) | - |

TABLE 45 A. SPIRAL OPTIONS

| | | | PART NUMBERS | | | |
|--------------|----------------|----------|--------------|---------|------------|---------|
| | | | LEFT HAND | | RIGHT HAND | |
| Spiral Count | Retainer Color | Retainer | Assembly | Spiral | Assembly | Spiral |
| 5 | - | - | - | 1477178 | - | 1477179 |
| 6 | PURPLE | 1477107 | 1477103 | 1477102 | 1477105 | 1477104 |
| 9 | GRAY | 1477155 | 1477149 | 1477150 | 1477152 | 1477153 |
| 11 | BLUE | 1457061 | 1477023 | 1477024 | 1477026 | 1477027 |
| 13 | YELLOW | 1457062 | 1477029 | 1477030 | 1477032 | 1477033 |
| 15 | RED | 1457063 | 1477035 | 1477063 | 1477038 | 1477039 |
| 17 | BROWN | 1477106 | 1477101 | 1477100 | 1477099 | 1477098 |
| 20 | WHITE | 1457064 | 1477041 | 1477042 | 1477044 | 1477045 |
| 25 | GREEN | 1457065 | 1477047 | 1477048 | 1477050 | 1477051 |
| 30 | BLACK | 1477073 | 1477053 | 1477054 | 1477056 | 1477057 |
| 38 | ORANGE | 1467137 | 1477059 | 1477060 | 1477062 | 1477063 |

Expanded Refreshment Center Parts Manual



497p0104

Figure 49. 10-Select Can Option

Expanded Refreshment Center Parts Manual

TABLE 46. 10-SELECT CAN OPTION

| INDEX | PART NUMBER | DESCRIPTION | QTY. |
|-------|-------------|--|------|
| 1 | 4977000 | CAN MODULE ASSEMBLY - 10 SELECT - 115 V XREF | 1 |
| | 4987000 | CAN MODULE ASSEMBLY - 10 SELECT - 230 V XREF | |
| 2 | 4974016 | GASKET - REFRIGERATION MODULE - INSIDE | 1 |
| 3 | 4974000 | REFRIGERATION MODULE ASSEMBLY - CAN - 115 V - AMBIENT XREF | 1 |
| | 4974022 | REFRIGERATION MODULE ASSEMBLY - CAN - 230 V - AMBIENT XREF | |
| | | REFRIGERATION MODULE ASSEMBLY - CAN - 230 V - CHILLED XREF | |
| 4 | 4974015 | GASKET - REFRIGERATION MODULE - OUTSIDE | 1 |
| 5 | 6231189 | LABEL - WARNING - HIGH VOLTAGE - ENGLISH | 1 |
| | 6231216 | LABEL - WARNING - HIGH VOLTAGE - GERMAN | |
| | 6231229 | LABEL - WARNING - HIGH VOLTAGE - FRENCH | |
| | 6232290 | LABEL - WARNING - HIGH VOLTAGE - SPANISH | |
| 6 | 4974009 | COVER AND SEAL ASSEMBLY - COMPRESSOR | 1 |
| 7 | 4974012 | RETAINER - DOOR | 1 |
| 8 | 4974007 | DOOR - REFRIGERATION MODULE | 1 |
| 9 | 4974019 | DUCT AND GASKET ASSEMBLY | 1 |

Expanded Refreshment Center Parts Manual

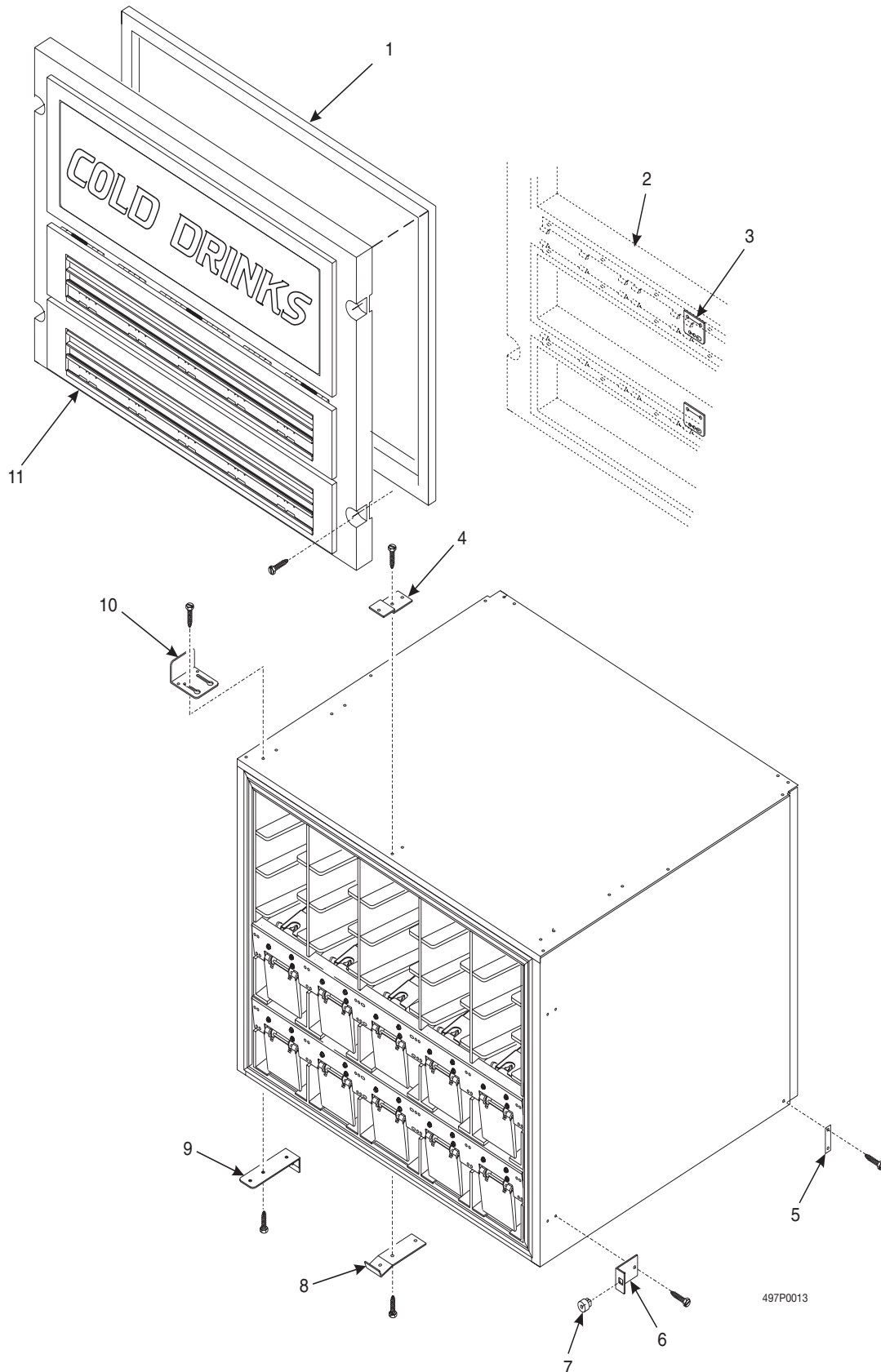


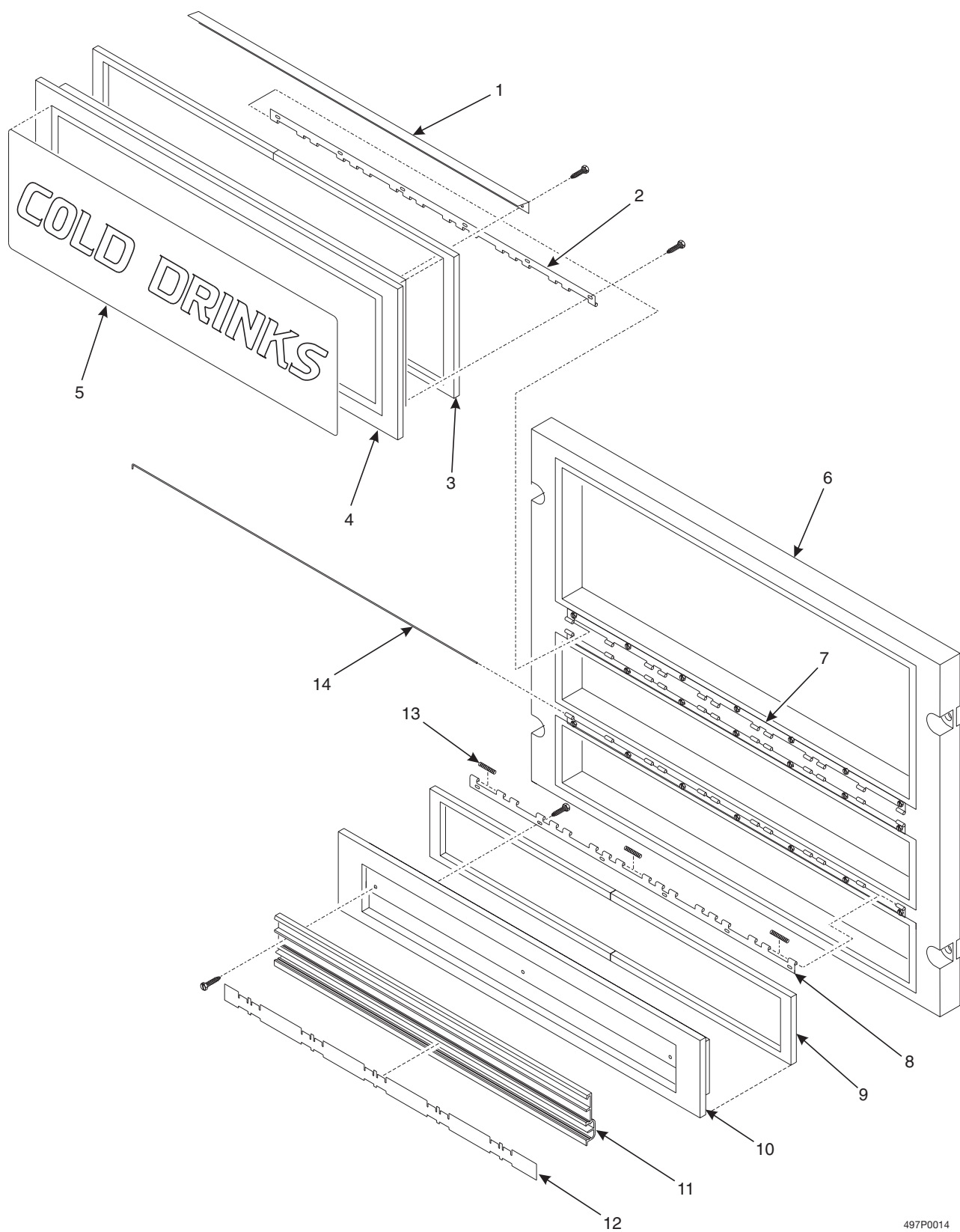
Figure 50. Can Module Assembly

Expanded Refreshment Center Parts Manual

TABLE 47. CAN MODULE ASSEMBLY

| INDEX | PART NUMBER | DESCRIPTION | QTY. |
|--------------|--------------------|---|-------------|
| 1 | 4976042 | GASKET - 10 SELECT FRAME | 1 |
| 2 | 4976002 | FRAME & SUPPORT ASSEMBLY | 1 |
| 3 | 4976001 | BRACKET - SUPPORT - FRAME | 2 |
| 4 | 4977036 | BRACKET - SUPPORT - TOP | 1 |
| 5 | 4747062 | MOUNTING STRAP - CAN MODULE | 2 |
| - | 4977052 | BRACKET & GROMMET ASSEMBLY (INCLUDES INDEX NUMBERS 6 AND 7) | 4 |
| 6 | 4977053 | BRACKET - FRAME - MOUNTING | |
| 7 | 4977054 | GROMMET - SCREW - .38 | |
| 8 | 4977065 | BRACKET - SUPPORT - BOTTOM | 1 |
| 9 | 4977059 | BRACKET - FRAME SUPPORT | 1 |
| 10 | 4747715 | BRACKET - CABINET SUPPORT | 1 |
| 11 | 4976000 | FRAME ASSEMBLY - 10 SELECT+ | 1 |

Expanded Refreshment Center Parts Manual



497P0014

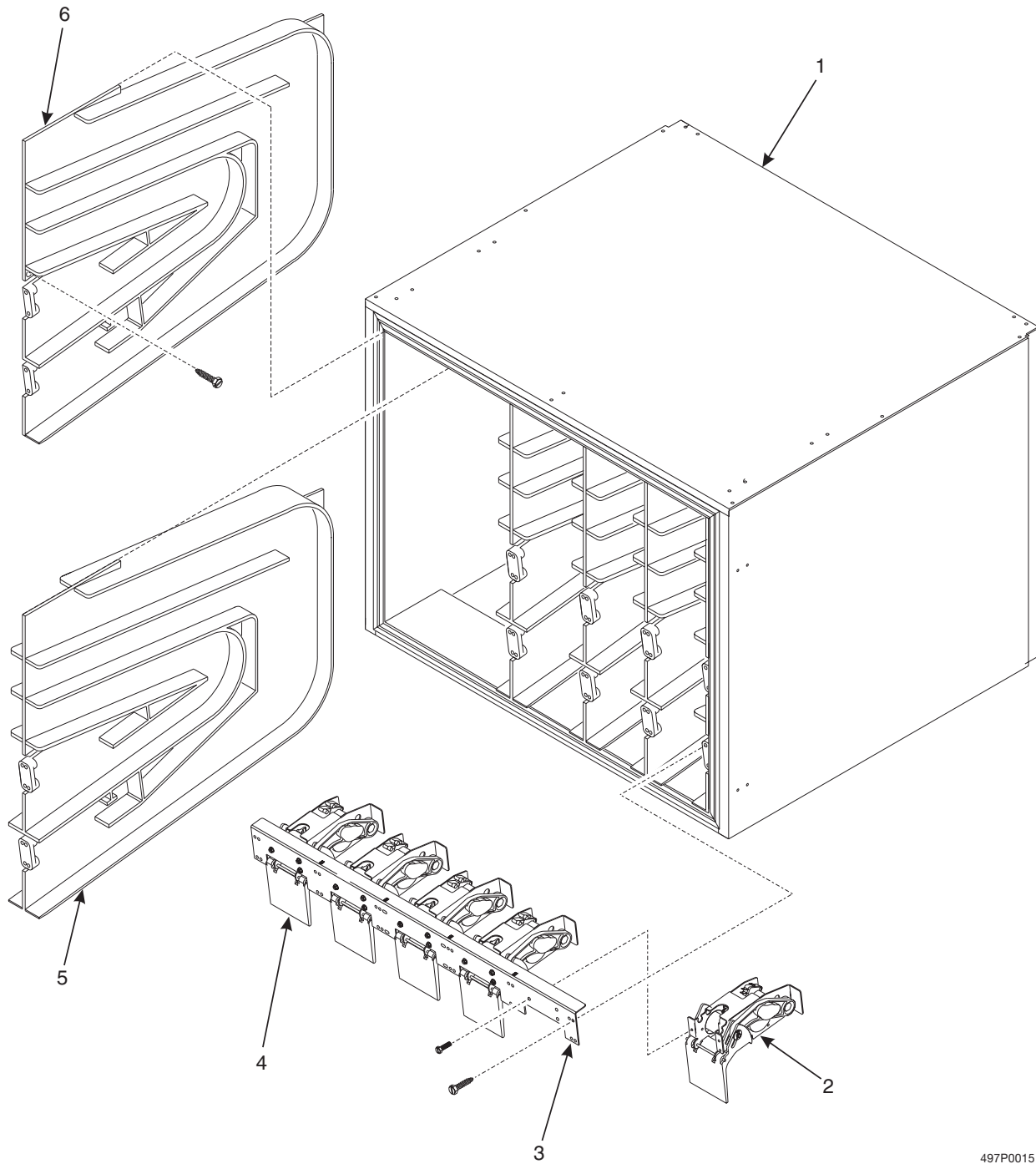
Figure 51. Frame Assembly

Expanded Refreshment Center Parts Manual

TABLE 48. FRAME ASSEMBLY

| INDEX | PART NUMBER | DESCRIPTION | QTY. |
|-------|-------------|--|------|
| - | 4976030 | LOADING DOOR ASSEMBLY (INCLUDES INDEX NUMBERS 1 - 5) | 1 |
| 1 | 4976037 | ANGLE - LOADING DOOR | 1 |
| 2 | 4976046 | HINGE - DOOR - PAINTED | 1 |
| 3 | 4976031 | GASKET - LOADING DOOR | 1 |
| 4 | 4976044 | DOOR - LOADING - FOAMED | 1 |
| 5 | 4976024 | LABEL / INSERT - "COLD DRINKS" | 1 |
| | 4976048 | PHOTO - P.O.P. - LOADING DOOR | |
| - | 1472454 | SCREW - #6-20 X .31 PHILLIPS TRUSS | 6 |
| - | 4047056 | SCREW - SHEET METAL #8X3/8 PHS | - |
| 6 | 4976038 | FRAME - CAN MODULE - 10 SELECT - FOAMED | 1 |
| 7 | 4976045 | HINGE - FRAME - PAINTED | 3 |
| - | 4976028 | DELIVERY DOOR ASSEMBLY (INCLUDES INDEX NUMBERS 8 - 12) | 2 |
| 8 | 4976046 | HINGE - DOOR - PAINTED | 1 |
| 9 | 4976029 | GASKET - DELIVERY DOOR | 1 |
| 10 | 4976039 | DOOR - DELIVERY - FOAMED | 1 |
| 11 | 4976040 | RAIL -PRICE & SELECTION | 1 |
| 12 | 4976014 | HOLDER - PRICE & SELECTION | 1 |
| - | 1472454 | SCREW-#6-20 X.31 PHIL.TRUSS | 6 |
| - | 1477014 | ROLL-PRICE CENTS | 5 |
| - | 1477015 | ROLL-PRICE DOLLARS | 5 |
| - | 4721035 | SCREW-#8-18 X .38-LGM | 11 |
| 13 | 4976015 | SPRING - DOOR RETURN | 13 |
| 14 | 4976032 | PIN - HINGE | 3 |
| - | 1577051 | LABEL-ITEM LETTERS E0-E9 | 1 |
| - | 1577052 | LABEL-ITEM LETTERS-F0-F9 | 1 |
| - | 2226380 | SCREW-#6-19X.38 PHS T/C | - |
| - | 4976025 | LABEL - LOADING DIAGRAM - 10 SELECT CAN MODULE (NOT SHOWN - ON REAR OF LOADING DOOR) | 1 |

Expanded Refreshment Center Parts Manual



497P0015

Figure 52. Miscellaneous Internal Parts

Expanded Refreshment Center Parts Manual

TABLE 49. MISCELLANEOUS INTERNAL PARTS

| INDEX | PART NUMBER | DESCRIPTION | QTY. |
|--------------|--------------------|---|-------------|
| 1 | 4975056 | BOX ASSEMBLY - REFRIGERATION - FOAMED | 1 |
| 2 | 4977049 | EJECTOR & MOTOR ASSEMBLY | 5 |
| 3 | 4977040 | CHANNEL - MOTOR BRACKET MOUNTING | 1 |
| 4 | 4977048 | MOTOR & EJECTOR MOUNTING CHANNEL ASSEMBLY | 2 |
| 5 | 4977030 | TRACK - CAN - CENTER (ARG./BRZ./L.A./MEX./N.Z./S.A./U.S.) | 4 |
| | | TRACK - CAN - CENTER (FR./GER./U.K.) | 2 |
| 6 | 4977031 | TRACK - CAN - LEFT (ARG./BRZ./L.A./MEX./N.Z./S.A./U.S.) | 1 |
| - | 4977032 | TRACK - CAN - LEFT (FR./GER./U.K.) | 3 |

Expanded Refreshment Center Parts Manual

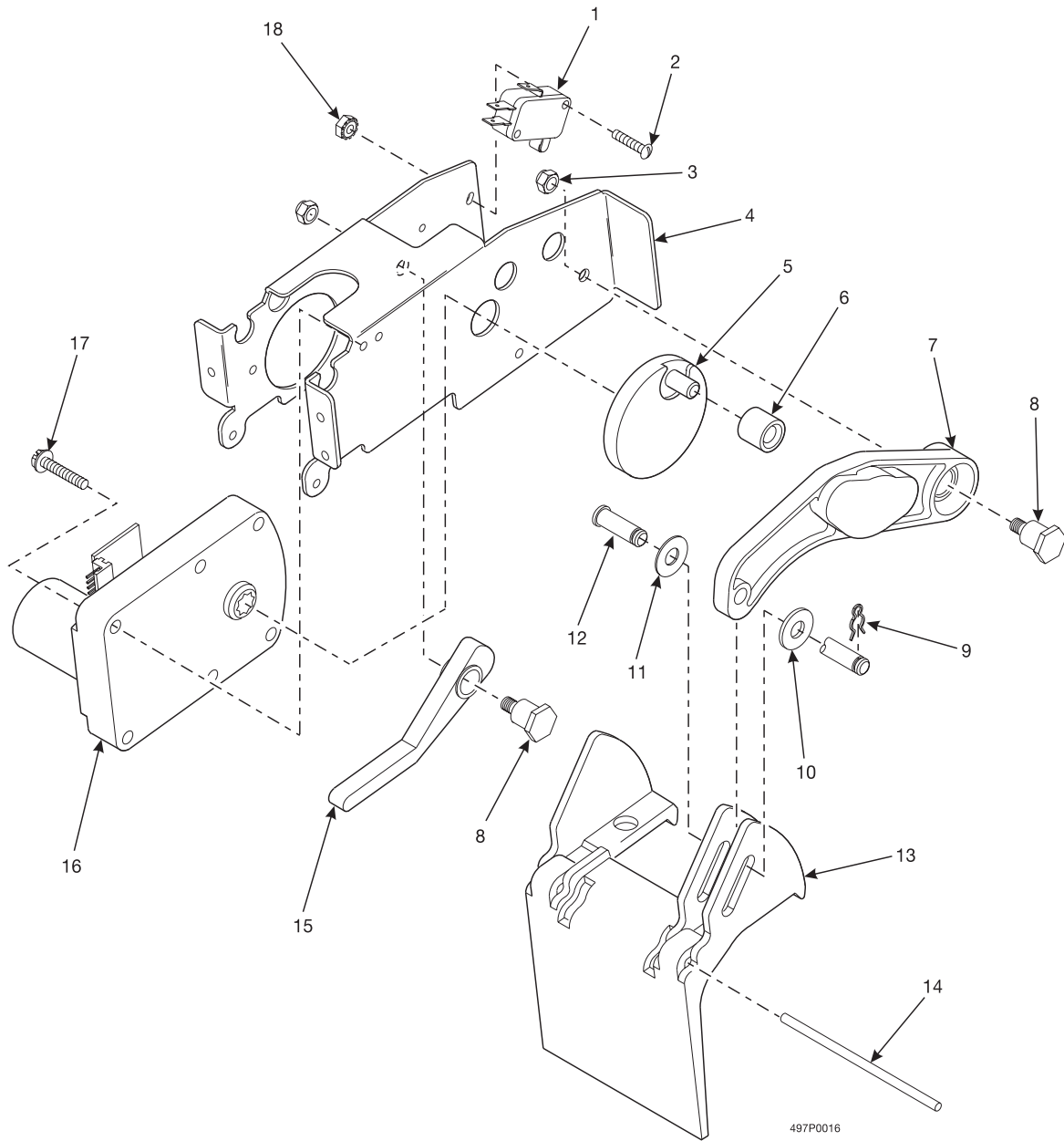


Figure 53. Ejector and Motor Assembly

Expanded Refreshment Center Parts Manual

TABLE 50. EJECTOR AND MOTOR ASSEMBLY

| INDEX | PART NUMBER | DESCRIPTION | QTY. |
|-------|-------------|-----------------------------------|------|
| 1 | 2366091 | SWITCH - ROLLER LEVER V3L-2103-D8 | 1 |
| 2 | 9900206 | NUT #10-32 SELF - LOCKING | - |
| 3 | 1217160 | 4-40X5/8 RHS M SCREW Z/Y | - |
| 4 | 4977039 | BRACKET - MOTOR MOUNTING | 1 |
| 5 | 4977035 | CAM - DRIVE MOTOR | 1 |
| 6 | 4977056 | ROLLER - MOTOR CAM | 1 |
| 7 | 4977034 | ARM - GATE EJECTOR | 1 |
| 8 | 1457099 | STUD - TRAY ROLLER | 2 |
| 9 | 2204092 | COTTER HAIR - PIN | 1 |
| 10 | 5305318 | WASHER - .257X.50X.062 | 1 |
| 11 | 4977041 | WASHER - DRIVE PIN | 1 |
| 12 | 4747031 | PIVOT PIN - EJECTOR CAM | 1 |
| 13 | 4977033 | GATE - EJECTOR | 1 |
| 14 | 4977038 | PIN - PIVOT - GATE EJECTOR | 1 |
| 15 | 4747036 | SWITCH - ACTUATOR - SOLD OUT | 1 |
| 16 | 1577035 | MOTOR & PCB ASSEMBLY | 1 |
| 17 | 1457027 | SCREW-#8-32 X .81 HEX HD.-T/ | 2 |
| 18 | 1217159 | 4-40 KEPS W/EXT L/WAS H ZP | - |

Expanded Refreshment Center Parts Manual

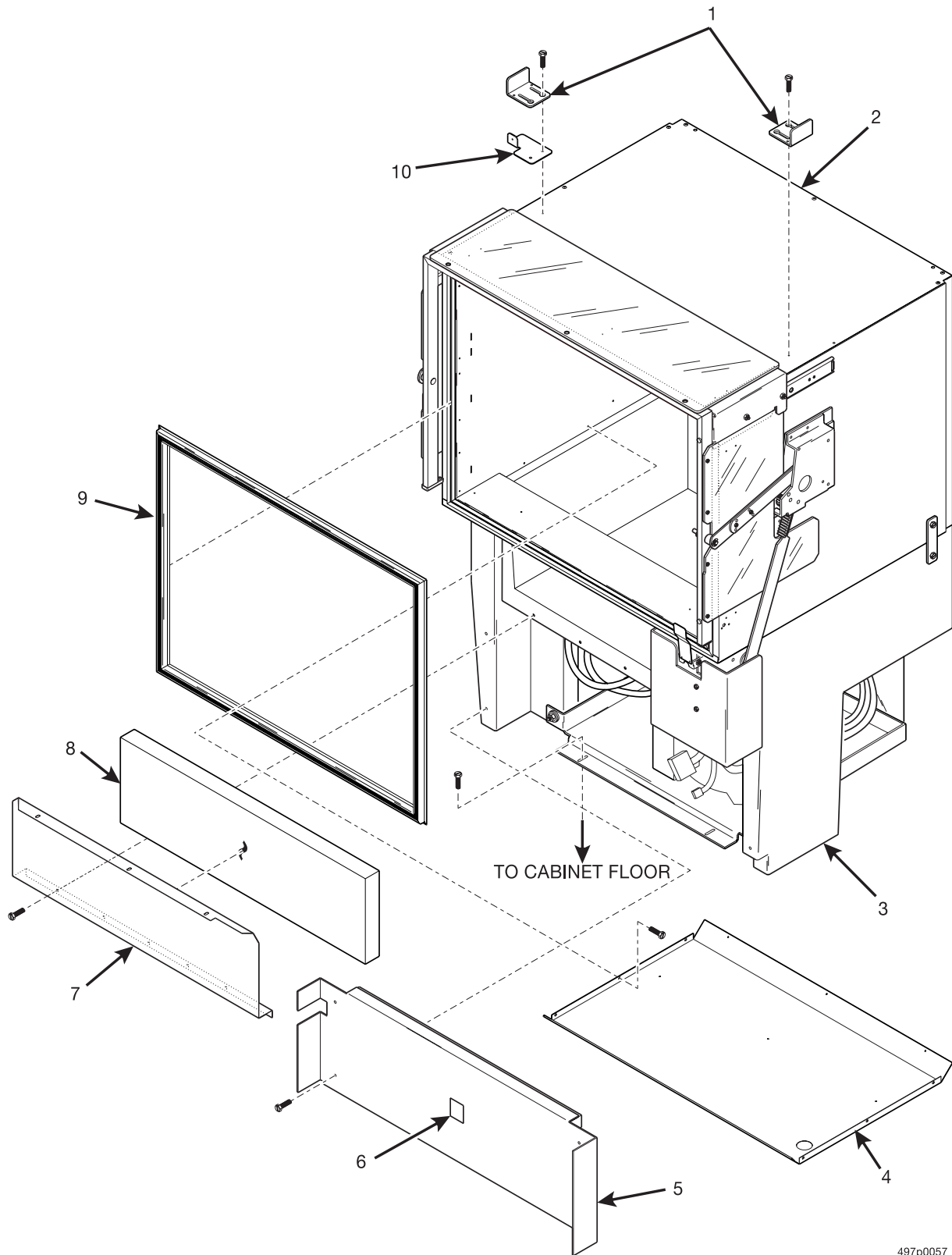


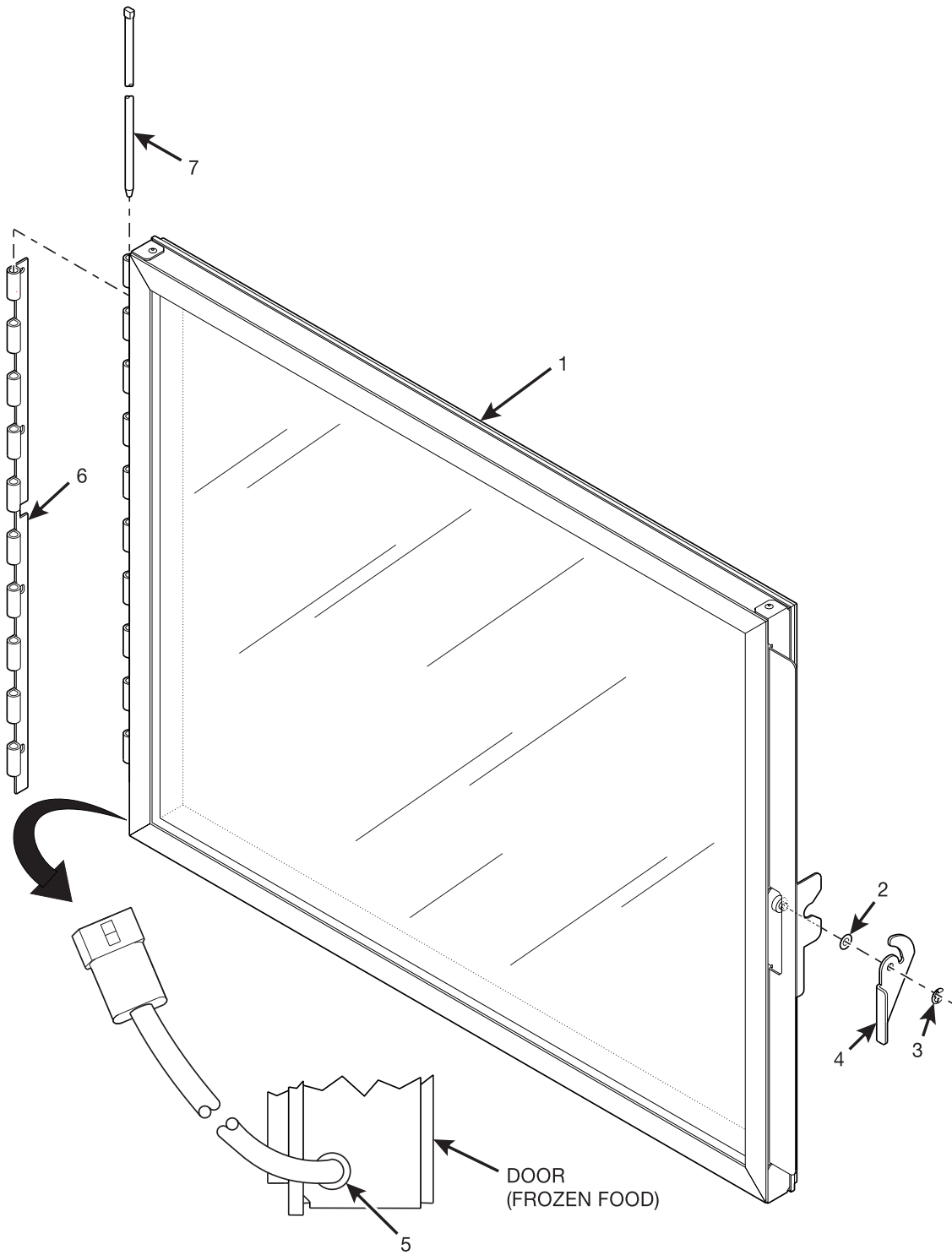
Figure 54. Cabinet Parts - Expanded Food

Expanded Refreshment Center Parts Manual

TABLE 51. CABINET PARTS - EXPANDED FOOD

| INDEX | PART NUMBER | DESCRIPTION | QTY |
|-------|-------------|---|-----|
| 1 | 4747715 | BRACKET - CABINET SUPPORT | 2 |
| 2 | 4977075 | FROZEN FOOD MODULE ASSEMBLY - 115 V | 1 |
| | 4977001 | COLD FOOD MODULE ASSEMBLY - 115 V | |
| | 4987003 | COLD FOOD MODULE ASSEMBLY - 230 V | |
| 3 | 4974045 | REFRIGERATION MODULE ASSEMBLY - COLD FOOD - 115 V | 1 |
| | 4974025 | REFRIGERATION MODULE ASSEMBLY - FROZEN FOOD - 115 V | |
| | 4984048 | REFRIGERATION MODULE ASSEMBLY - COLD FOOD - 230 V | |
| 4 | 4975021 | PANEL - LINEAR - BOTTOM | 1 |
| 5 | 4974009 | COVER AND SEAL ASSEMBLY - COMPRESSOR | 1 |
| 6 | 6231189 | LABEL - WARNING - HIGH VOLTAGE - ENGLISH | 1 |
| | 6231216 | LABEL - WARNING - HIGH VOLTAGE - GERMAN | |
| | 6231229 | LABEL - WARNING - HIGH VOLTAGE - FRENCH | |
| | 6232290 | LABEL - WARNING - HIGH VOLTAGE - SPANISH | |
| 7 | 4974012 | RETAINER - DOOR | 1 |
| 8 | 4974007 | DOOR - REFRIGERATION MODULE | 1 |
| 9 | 4976050 | DOOR ASSEMBLY - COLD FOOD (SEE FIGURE 55 FOR DETAILS) | 1 |
| | 4977060 | DOOR ASSEMBLY - 115 V - FROZEN FOOD (SEE FIGURE 55 FOR DETAILS) | |
| 10 | 4977066 | BRACKET - WIRE CLAMP MOUNTING - FROZEN FOOD | 1 |

Expanded Refreshment Center Parts Manual



497p0056

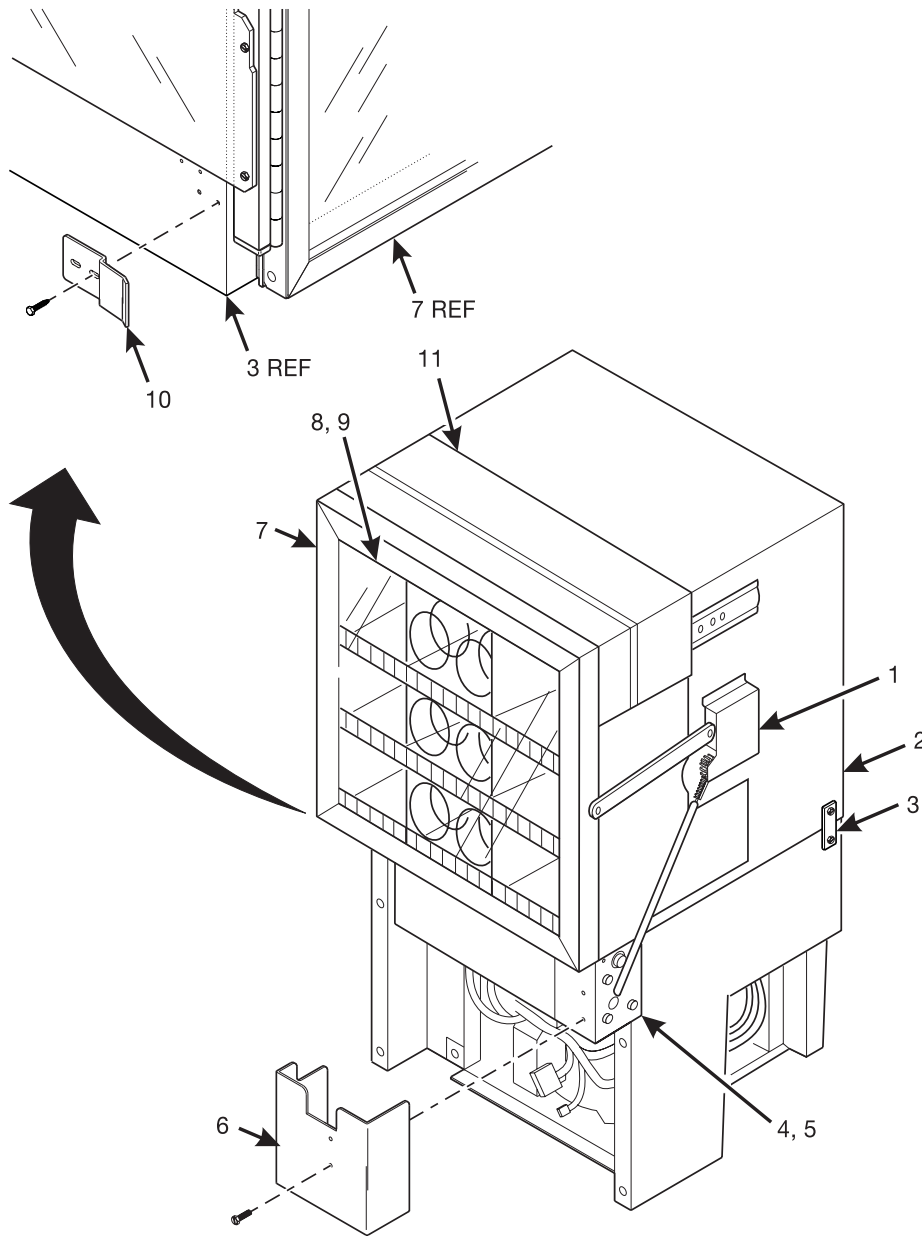
Figure 55. Door Assembly - Food Module

Expanded Refreshment Center Parts Manual

TABLE 52. DOOR ASSEMBLY - FOOD MODULE

| INDEX | PART NUMBER | DESCRIPTION | QTY |
|-------|-------------|---|-----|
| 1 | 4976050 | DOOR ASSEMBLY - COLD FOOD | 1 |
| | 4977060 | DOOR ASSEMBLY - 115 V - FROZEN FOOD | |
| 2 | 5220113 | SPRING WASHER .500 X .254 X .006 | 1 |
| 3 | 9900425 | RETAINING RING REINF. E TYP. 250 | 1 |
| 4 | 4976055 | LEVER - LATCH | 1 |
| 5 | 4747718 | HEYCO - .281 ID X .250 LG (FROZEN FOOD) | 1 |
| 6 | 4976070 | HINGE - FOOD MODULE DOOR - PAINTED | 1 |
| 7 | 4976058 | PIN - HINGE | 1 |

Expanded Refreshment Center Parts Manual



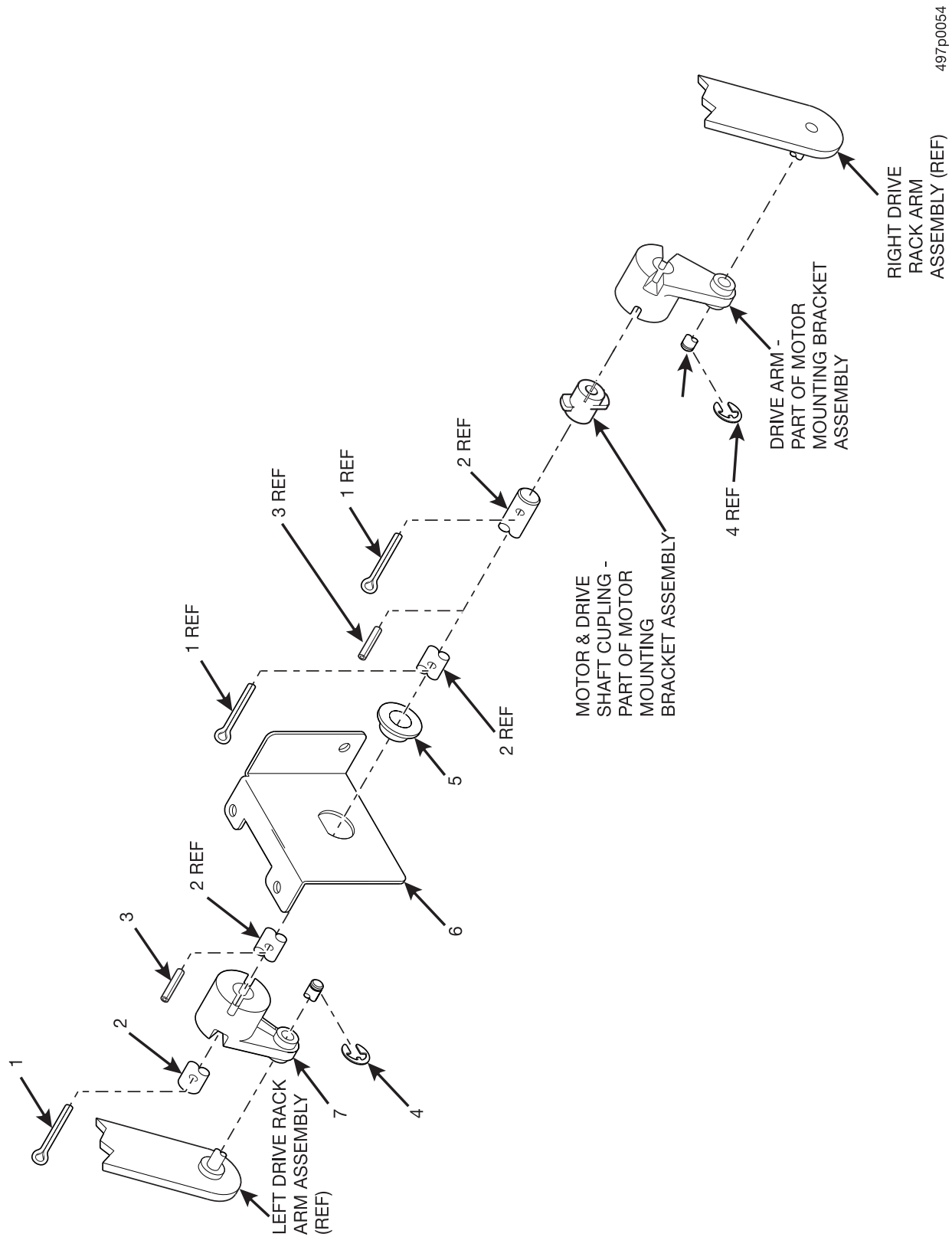
497p0055

Figure 56. Cold Food Module Assembly

Expanded Refreshment Center Parts Manual

TABLE 53. COLD FOOD MODULE ASSEMBLY

| INDEX | PART NUMBER | DESCRIPTION | QTY |
|-------|-------------|---|-----|
| 1 | 4975017 | DRIVE ARM ASSEMBLY - R.H. (SEE FIGURE 60 FOR DETAILS) | 1 |
| | 4975010 | DRIVE ARM ASSEMBLY - L.H. (SEE FIGURE 59 FOR DETAILS) | |
| 2 | 4975052 | REFRIGERATION BOX ASSEMBLY - FOAMED | 1 |
| 3 | 4747062 | MOUNTING STRAP - CAN MODULE | 2 |
| 4 | 4407077 | MOTOR MOUNTING BRACKET ASSEMBLY - 110 V (SEE FIGURE 62 FOR DETAILS) | 1 |
| 5 | - | MOTOR TO DRIVE ARM ASSEMBLIES CONNECTION DETAIL (SEE FIGURE 57 FOR DETAILS) | - |
| 6 | 4747725 | COVER - MOTOR ASSEMBLY | 1 |
| 7 | 4976050 | DOOR ASSEMBLY - COLD FOOD (SEE FIGURE 56 FOR DETAILS) | 1 |
| | 4977060 | DOOR ASSEMBLY - 115 V - FROZEN FOOD (SEE FIGURE 56 FOR DETAILS) | |
| 8 | 4612001 | DECAL "CHILLED FOR FRESHNESS" | 1 |
| 9 | 4741223 | DECAL "COLD/FROZEN FOOD" | 1 |
| 10 | 4975002 | BRACKET - FRAME SUPPORT | 1 |
| 11 | 4976066 | DOOR FRAME ASSEMBLY (SEE FIGURE 58 FOR DETAILS) | 1 |



497p0054

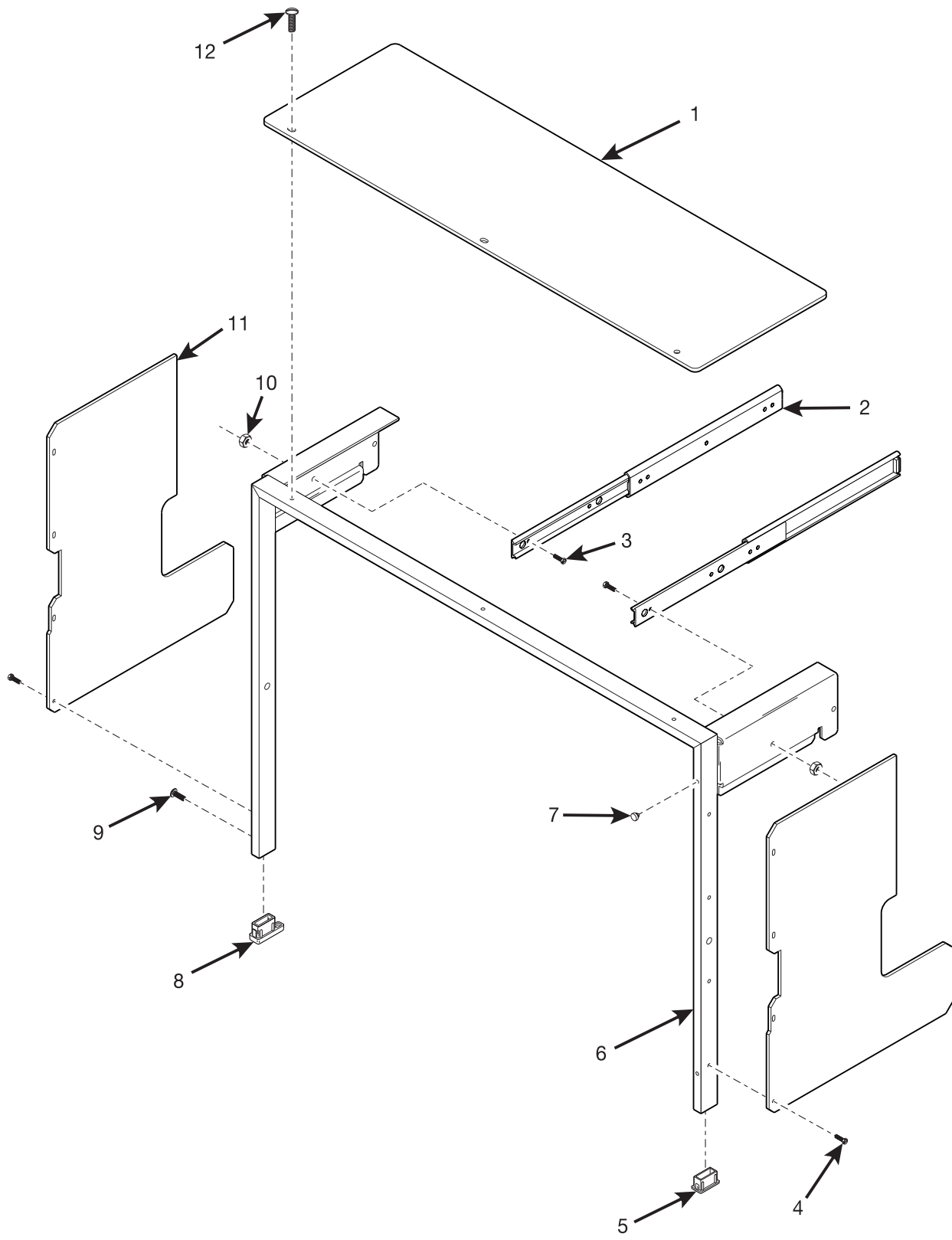
Figure 57. Motor to Drive Arm Assemblies Connection Detail

Expanded Refreshment Center Parts Manual

TABLE 54. MOTOR TO DRIVE ARM ASSEMBLIES CONNECTION DETAIL

| INDEX | PART NUMBER | DESCRIPTION | QTY |
|-------|-------------|------------------------------------|-----|
| 1 | 9900098 | COTTER PIN - 3/32 X 3/4 IN | 3 |
| 2 | 4975023 | SHAFT - DRIVE | 1 |
| 3 | 3127034 | ROLL PIN - 1/8 X 13/16 | 2 |
| 4 | 9900425 | RETAINING RING - REINF. E TYP .250 | 2 |
| 5 | 4047012 | SHOULDER BUSHING | 1 |
| 6 | 4407088 | BRACKET - DRIVE SHAFT | 1 |
| 7 | 4407079 | ARM - DRIVE | 1 |

Expanded Refreshment Center Parts Manual



497p0030

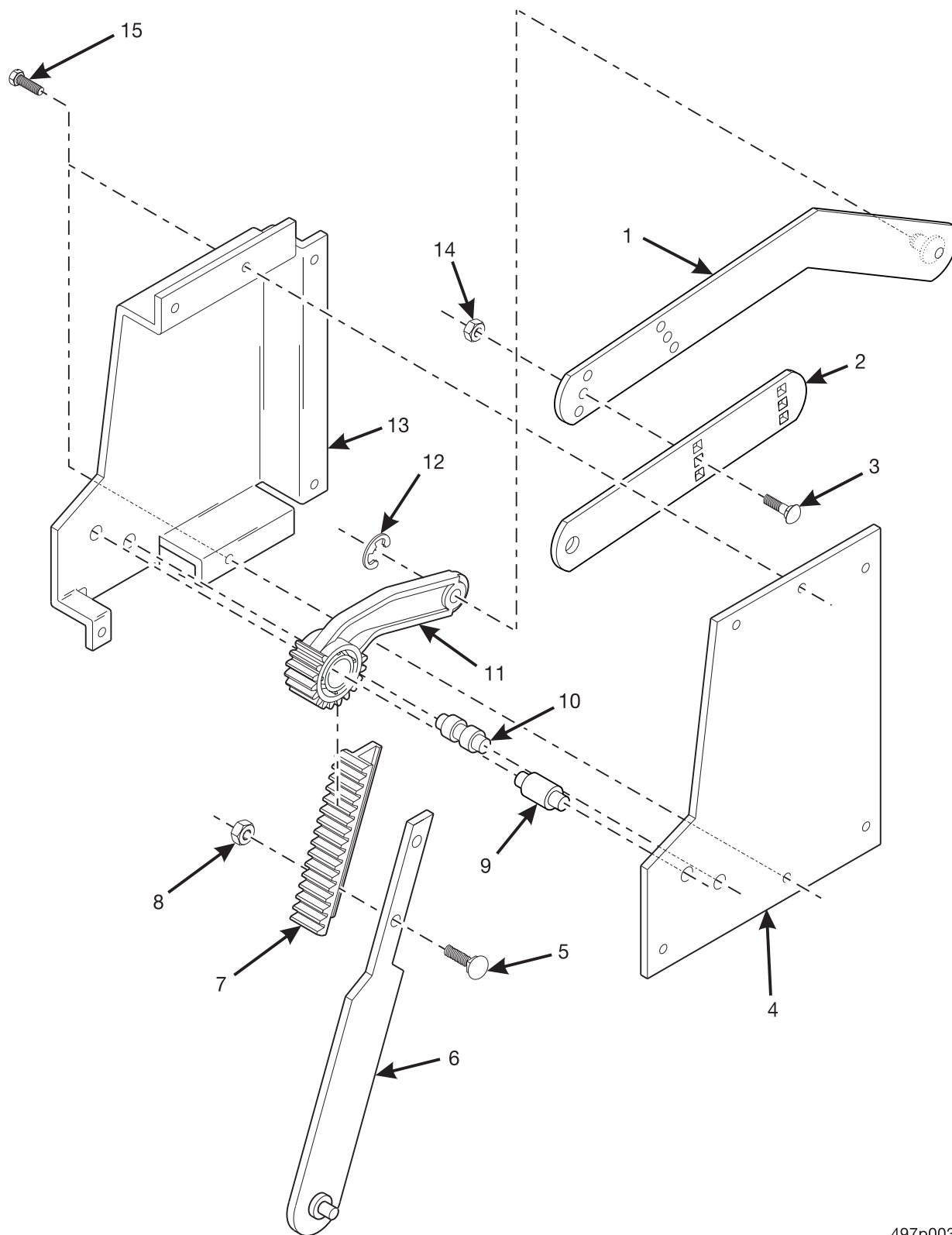
Figure 58. Food Module Door Frame Assembly

Expanded Refreshment Center Parts Manual

TABLE 55. FOOD MODULE DOOR FRAME ASSEMBLY

| INDEX | PART NUMBER | DESCRIPTION | QTY |
|-------|-------------|--|-----|
| - | 4976066 | DOOR FRAME ASSEMBLY - FOOD MODULE | - |
| 1 | 4976067 | SHIELD - TOP | 1 |
| 2 | 4407103 | SLIDE - 10" | 2 |
| 3 | 1451097 | SCREW - #8-32 X .31 HEX HD - T/F - BLACK | 4 |
| 4 | 9900118 | SCREW - #8-32 X 3/8 PHS | 4 |
| 5 | 1479120 | CAP PLUG - RECTANGULAR - 1/2 X 1 | 1 |
| 6 | 4976081 | DOOR FRAME WELD ASSEMBLY - FIXED | 1 |
| 7 | 4976072 | GROMMET | 2 |
| 8 | 4407101 | SUPPORT - DOOR FRAME | 1 |
| 9 | 9900166 | SCREW - #80-32 X 5/16 THS S/T | 1 |
| 10 | 1412046 | 8-32 NUT 23TW832 BLOX | 4 |
| 11 | 4976069 | SHIELD - SIDE | 2 |
| 12 | 1452312 | SCREW - #10-32 X .31 THS - 5/F - BLACK | 3 |

Expanded Refreshment Center Parts Manual



497p0031

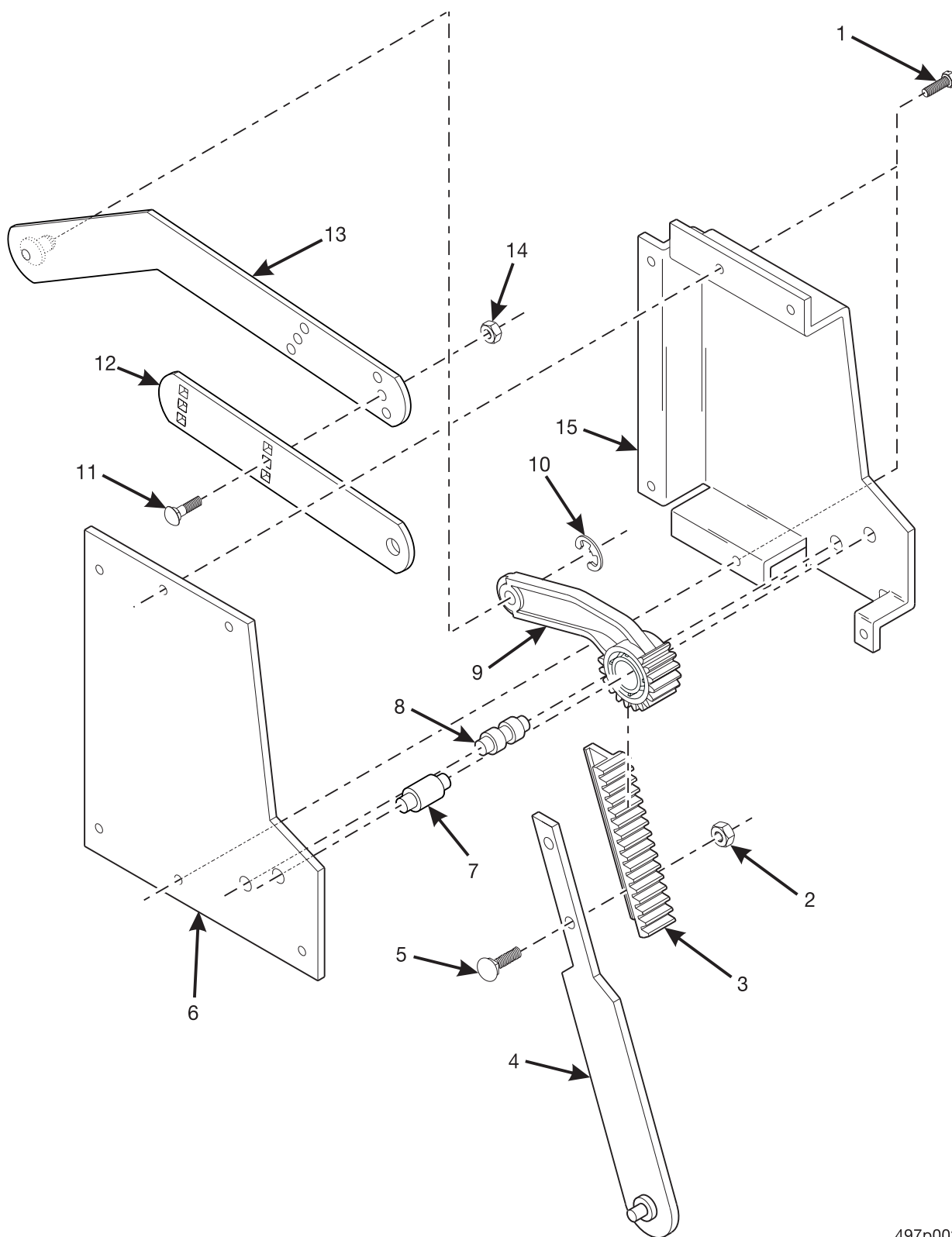
Figure 59. Left Hand Drive Arm Assembly

Expanded Refreshment Center Parts Manual

TABLE 56. LEFT HAND DRIVE ARM ASSEMBLY

| INDEX | PART NUMBER | DESCRIPTION | QTY |
|-------|-------------|-----------------------------------|-----|
| 1 | 4975015 | DRIVE ARM AND STUD ASSEMBLY L.H. | 1 |
| 2 | 4975014 | ARM - DOOR DRIVE - SHORT | 1 |
| 3 | 1106656 | CARRIAGE BOLT - #8-32 X 5/16 ZP | 2 |
| 4 | 4407053 | PLATE - TOGGLE - L.H. | 1 |
| 5 | 1306140 | 8-32 X 3/8 CARR BOLT BLK/OX | 2 |
| 6 | 4407067 | DRIVE RACK ARM ASSEMBLY | 1 |
| 7 | 4407066 | RACK - DRIVE | 1 |
| 8 | 9900072 | NUT - #8-32 SELF-LOCKING | 2 |
| 9 | 4975013 | PIVOT - TOGGLE ARM | 1 |
| 10 | 4407055 | ROLLER - DRIVE RACK | 1 |
| 11 | 4975011 | ARM - TOGGLE | 1 |
| 12 | 9900425 | RETAINING RING REINF E TYP .250 | 1 |
| 13 | 4407133 | COVER - TOGGLE - L.H. | 1 |
| 14 | 1412046 | 8-32 NUT MF 23TW832 BLOX | 2 |
| 15 | 1451097 | SCREW - #8-32 X .31 HEX HD TF-BLK | 1 |

NOTE: FOR ATTACHMENT DETAILS, SEE FIGURE 61.



497p0032

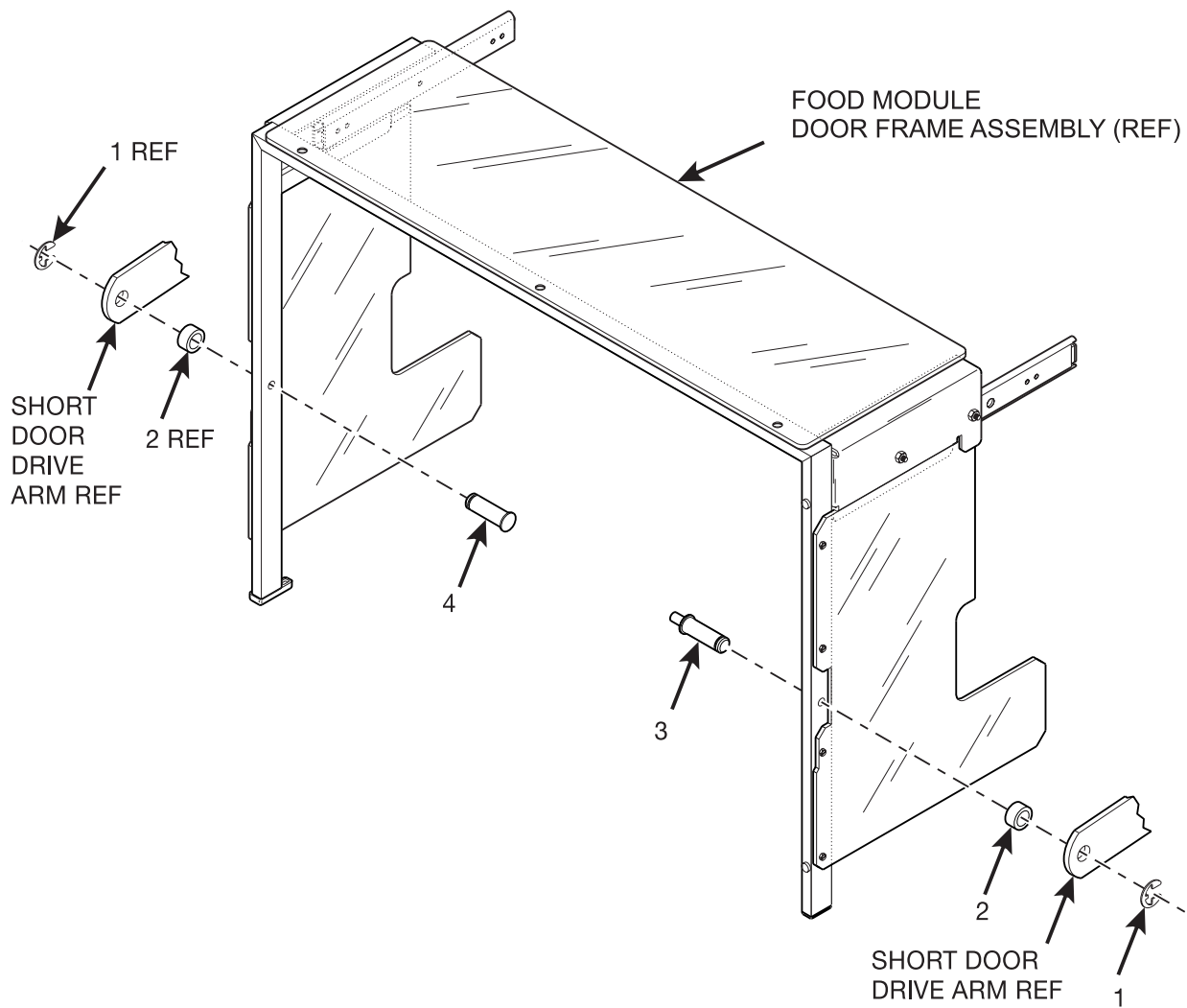
Figure 60. Right Hand Drive Arm Assembly

Expanded Refreshment Center Parts Manual

TABLE 57. RIGHT HAND DRIVE ARM ASSEMBLY

| INDEX | PART NUMBER | DESCRIPTION | QTY |
|--|-------------|-----------------------------------|-----|
| 1 | 1451097 | SCREW - #8-32 X .31 HEX HD TF-BLK | 1 |
| 2 | 9900072 | NUT - #8-32 SELF-LOCKING | 2 |
| 3 | 4407066 | RACK - DRIVE | 1 |
| 4 | 4407067 | DRIVE RACK ARM ASSEMBLY | 1 |
| 5 | 1306140 | 8-32 X 3/8 CARR BOLT BLK/OX | 2 |
| 6 | 4407070 | PLATE - TOGGLE - R.H. | 1 |
| 7 | 4975013 | PIVOT - TOGGLE ARM | 1 |
| 8 | 4407055 | ROLLER - DRIVE RACK | 1 |
| 9 | 4975011 | ARM - TOGGLE | 1 |
| 10 | 9900425 | RETAINING RING REINF E TYP .250 | 1 |
| 11 | 1106656 | CARRIAGE BOLT - #8-32 X 5/16 ZP | 2 |
| 12 | 4975014 | ARM - DOOR DRIVE - SHORT | 1 |
| 13 | 4975019 | DRIVE ARM AND STUD ASSEMBLY R.H. | 1 |
| 14 | 1412046 | 8-32 NUT MF 23TW832 BLOX | 2 |
| 15 | 4407134 | COVER - TOGGLE - R.H. | 1 |
| NOTE: FOR ATTACHMENT DETAILS, SEE FIGURE 61. | | | |

Expanded Refreshment Center Parts Manual



497P0051

Figure 61. Drive Arm Assembly Attachment Details

Expanded Refreshment Center Parts Manual

TABLE 58. DRIVE ARM ASSEMBLY ATTACHMENT DETAILS

| INDEX | PART NUMBER | DESCRIPTION | QTY |
|-------|-------------|------------------------------------|-----|
| 1 | 9900431 | RETAINING RING - REINF. E TYP .312 | 2 |
| 2 | 4977003 | SPACER | 2 |
| 3 | 4977004 | STUD - FRAME DRIVE ARM - R.H. | 1 |
| 4 | 4977002 | STUD - FRAME DRIVE ARM - L.H. | 1 |

Expanded Refreshment Center Parts Manual

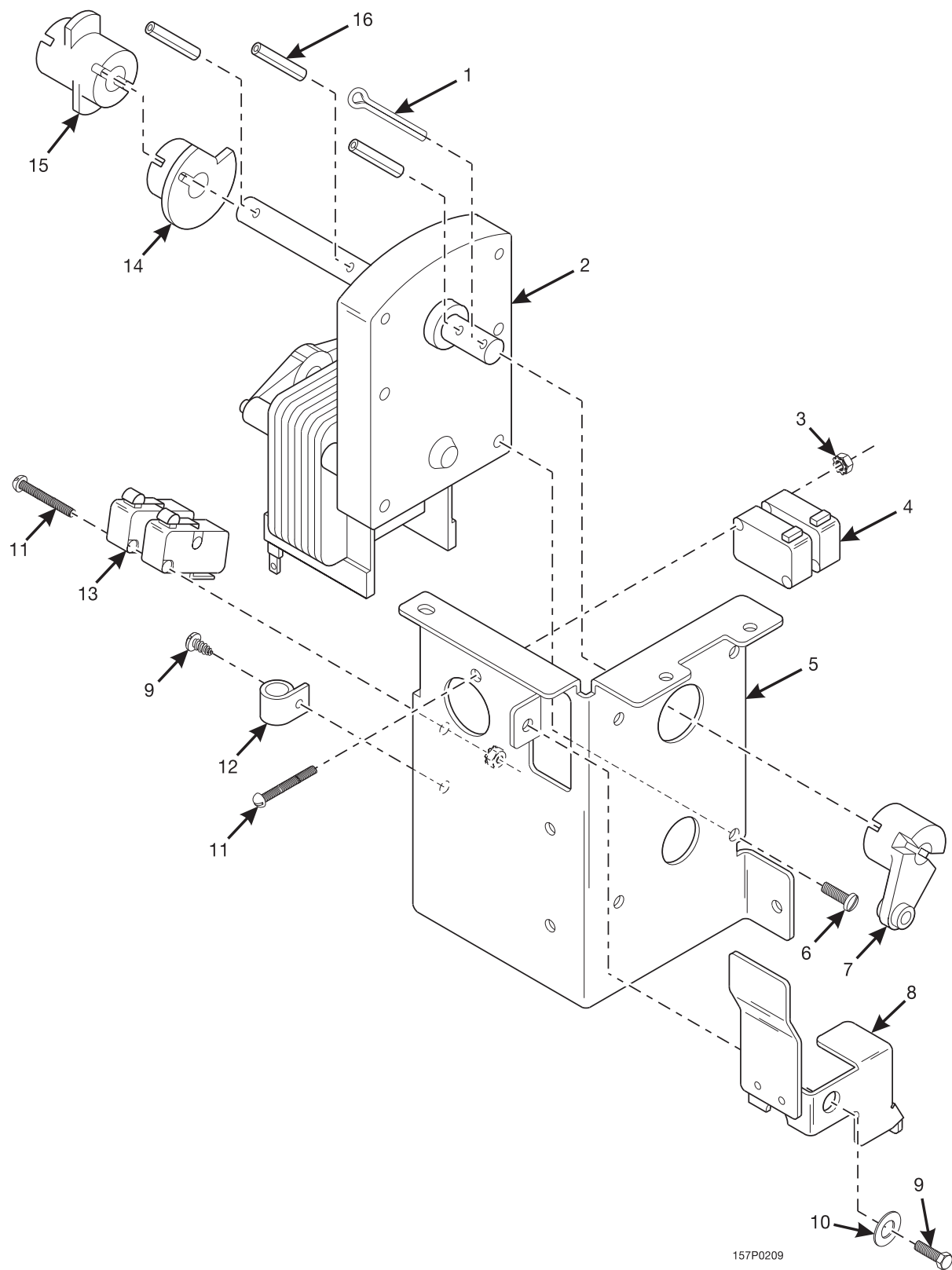


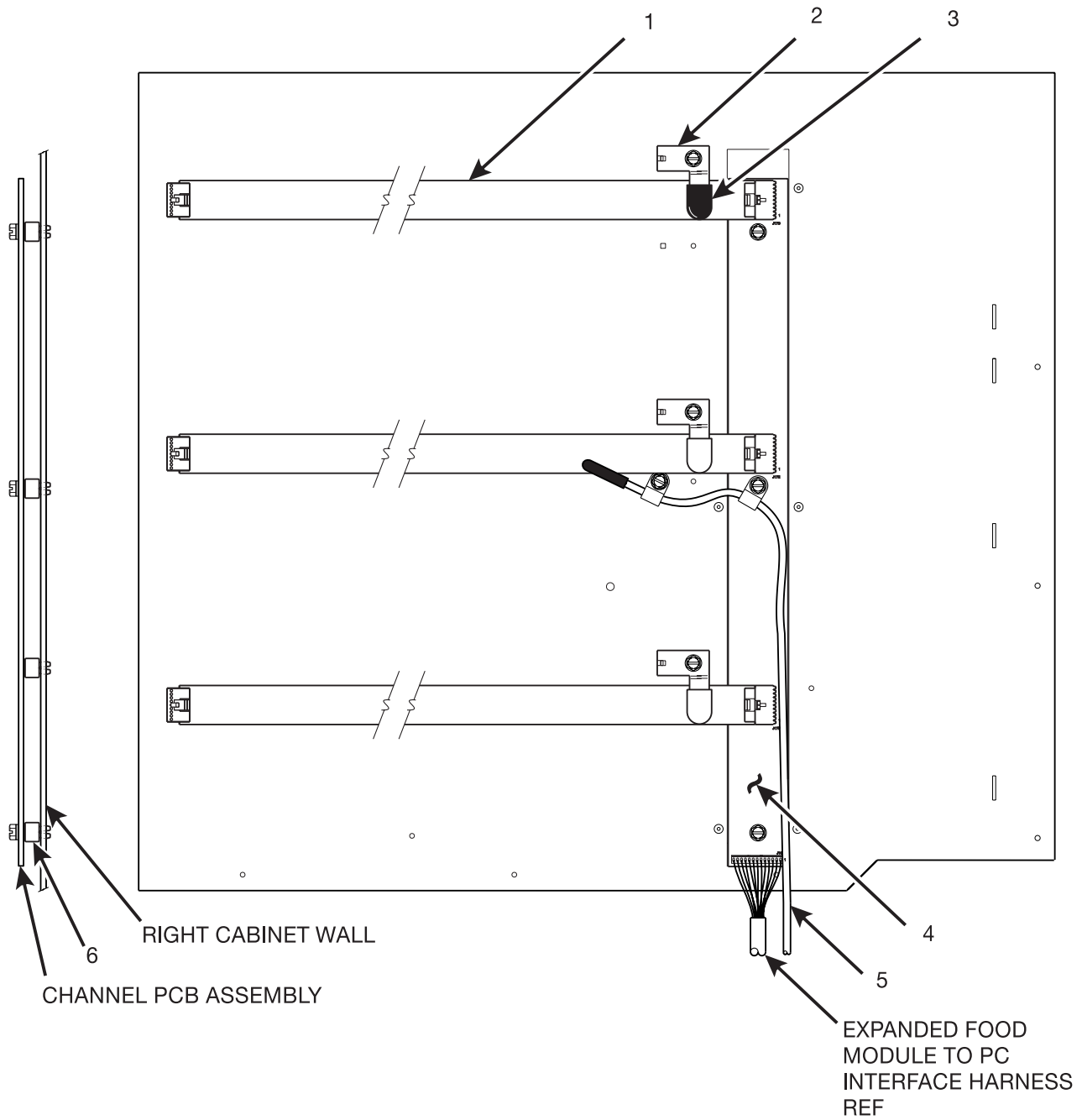
Figure 62. Motor Mounting Bracket Assembly

Expanded Refreshment Center Parts Manual

TABLE 59. MOTOR MOUNTING BRACKET ASSEMBLY

| INDEX | PART NUMBER | DESCRIPTION | QTY. |
|-------|-------------|------------------------------------|------|
| - | 4407077 | MOTOR MOUNTING BRACKET ASSEMBLY | - |
| 1 | 9900098 | COTTER PIN - 3/32 X 3/4 IN | 1 |
| 2 | 4407157 | MOTOR - FOOD MODULE | 1 |
| 3 | 1217159 | 4-40 KEPS W/EXT L/WAS H ZP | 4 |
| 4 | 9984632 | SWITCH - BASIC | 2 |
| 5 | 4407131 | MOUNTING BRACKET - MOTOR | 1 |
| 6 | 9900023 | SCREW #8-32 X .37 PHS W/LW | 4 |
| 7 | 4407079 | ARM - DRIVE | 1 |
| 8 | 4407084 | ACTUATOR ASSEMBLY - H.C. SWITCH | 1 |
| 9 | 1451097 | SCREW - #8-32X.31 HEX HD.TF - BLK. | 2 |
| 10 | 2228011 | SPACER RELEASE ARM | 1 |
| 11 | 5201086 | SCREW #4 40 X 1 RHS | 4 |
| 12 | 1452139 | RETAINER HARNESS | 1 |
| 13 | 9984634 | SWITCH ROLLER LEVER | 2 |
| 14 | 4407093 | CAM - H.C.SWITCH OVERRIDE | 1 |
| 15 | 4407080 | COUPLING - MOTOR & DRIVE SHAFT | 1 |
| 16 | 3127034 | ROLL PIN 1/8 X 13/16 | 3 |

Expanded Refreshment Center Parts Manual



CABINET INTERIOR- RIGHT SIDE VIEW
(SHOWN WITH TRAY RAILS REMOVED)

497P0062

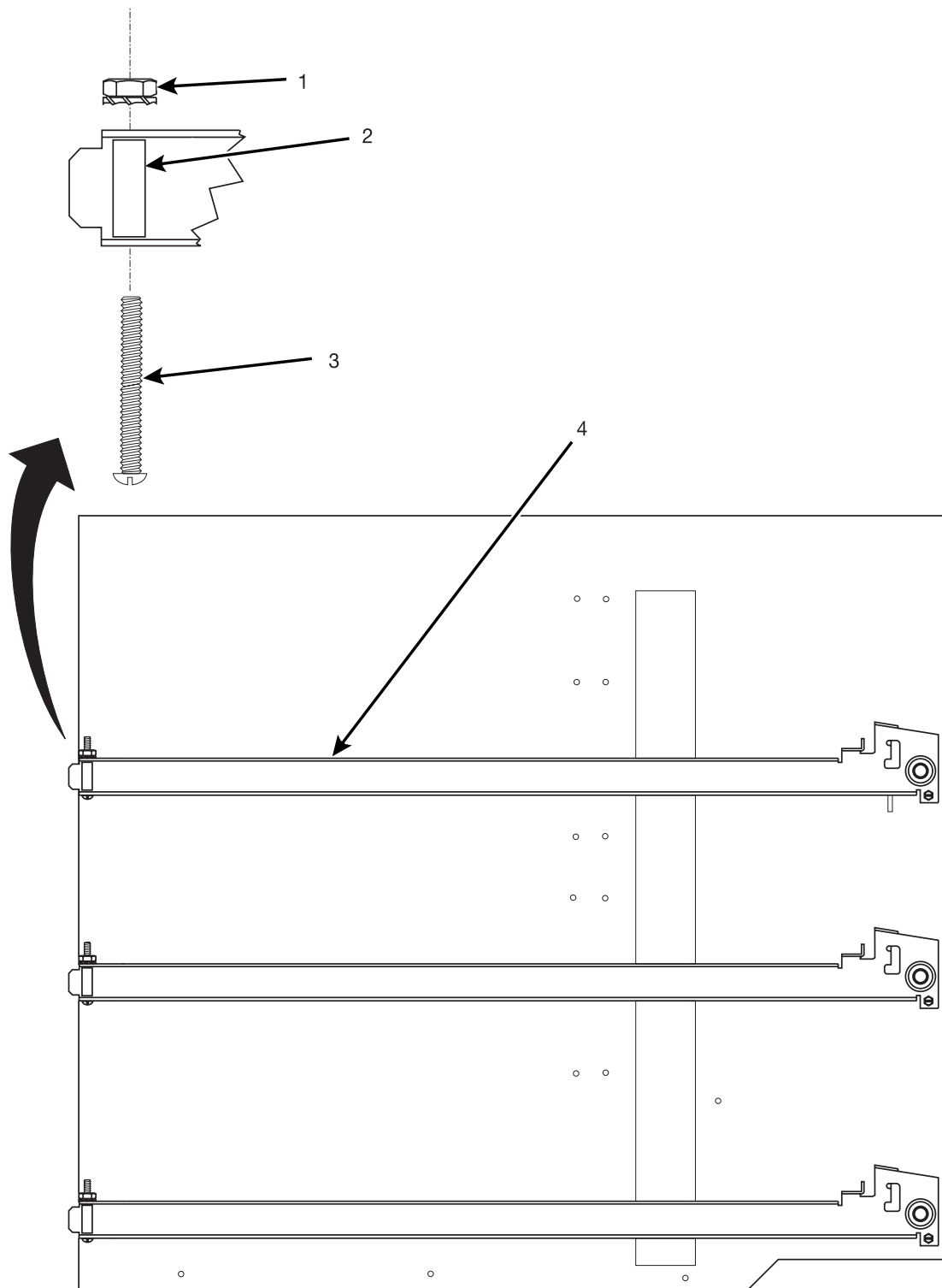
Figure 63. Food Module Cabinet Interior - Right Side (Part 1 of 2)

Expanded Refreshment Center Parts Manual

TABLE 60. FOOD MODULE CABINET INTERIOR - RIGHT SIDE (PART 1 OF 2)

| INDEX | PART NUMBER | DESCRIPTION | QTY. |
|--------------|--------------------|--|-------------|
| 1 | 4979000 | FLAT CABLE ASSEMBLY | 3 |
| 2 | 4407156 | KEEPER - HARNESS | 3 |
| 3 | 4407014 | RECTANGULAR CLOSURE | 3 |
| 4 | 4976103 | PCB ASSEMBLY - CHANNEL - EXPANDED FOOD | 1 |
| 5 | 4119013 | PROBE - TEMPERATURE SENSOR | 1 |
| 6 | 4041049 | SPACER - PRICE BOARD | 4 |

Expanded Refreshment Center Parts Manual



CABINET INTERIOR - RIGHT SIDE VIEW

497p0063

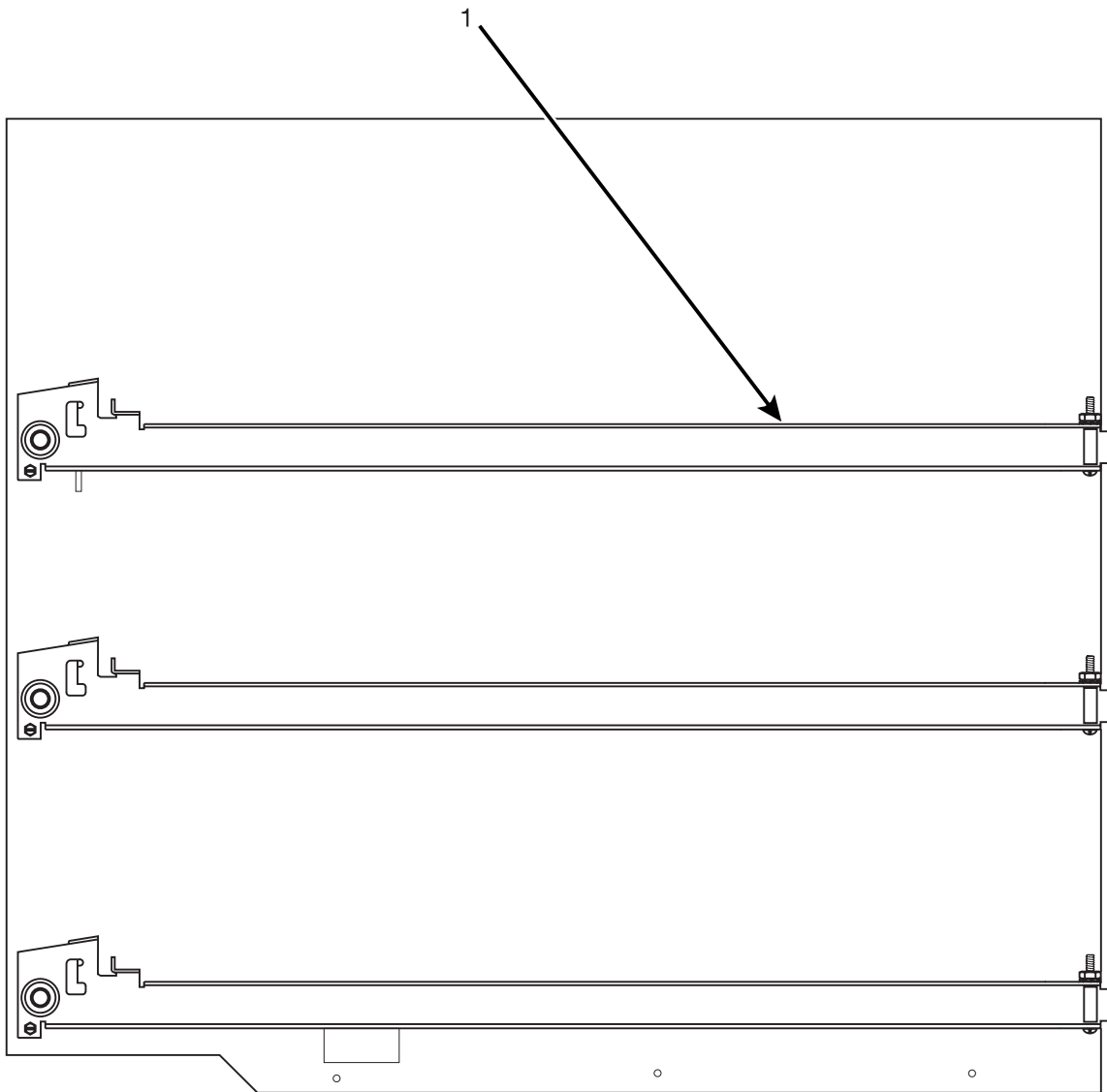
Figure 64. Food Module Cabinet Interior - Right Side (Part 2 of 2)

Expanded Refreshment Center Parts Manual

TABLE 61. FOOD MODULE CABINET INTERIOR - RIGHT SIDE (PART 2 OF 2)

| INDEX | PART NUMBER | DESCRIPTION | QTY. |
|-------|-------------|-----------------------------------|------|
| 1 | 6104424 | NUT - #10-32 SS EXT. LW | 3 |
| 2 | 4407016 | WIRE COVER - 6138236 - .208 X .88 | 3 |
| 3 | 4402037 | SCREW - #10-32 X 1-1/2 RHS - SS | 3 |
| 4 | 4407020 | RAIL AND STOP ASSEMBLY - R.H. | 3 |

Expanded Refreshment Center Parts Manual



CABINET INTERIOR - LEFT SIDE VIEW

497p0061

Figure 65. Cabinet Interior - Left Side View

Expanded Refreshment Center Parts Manual

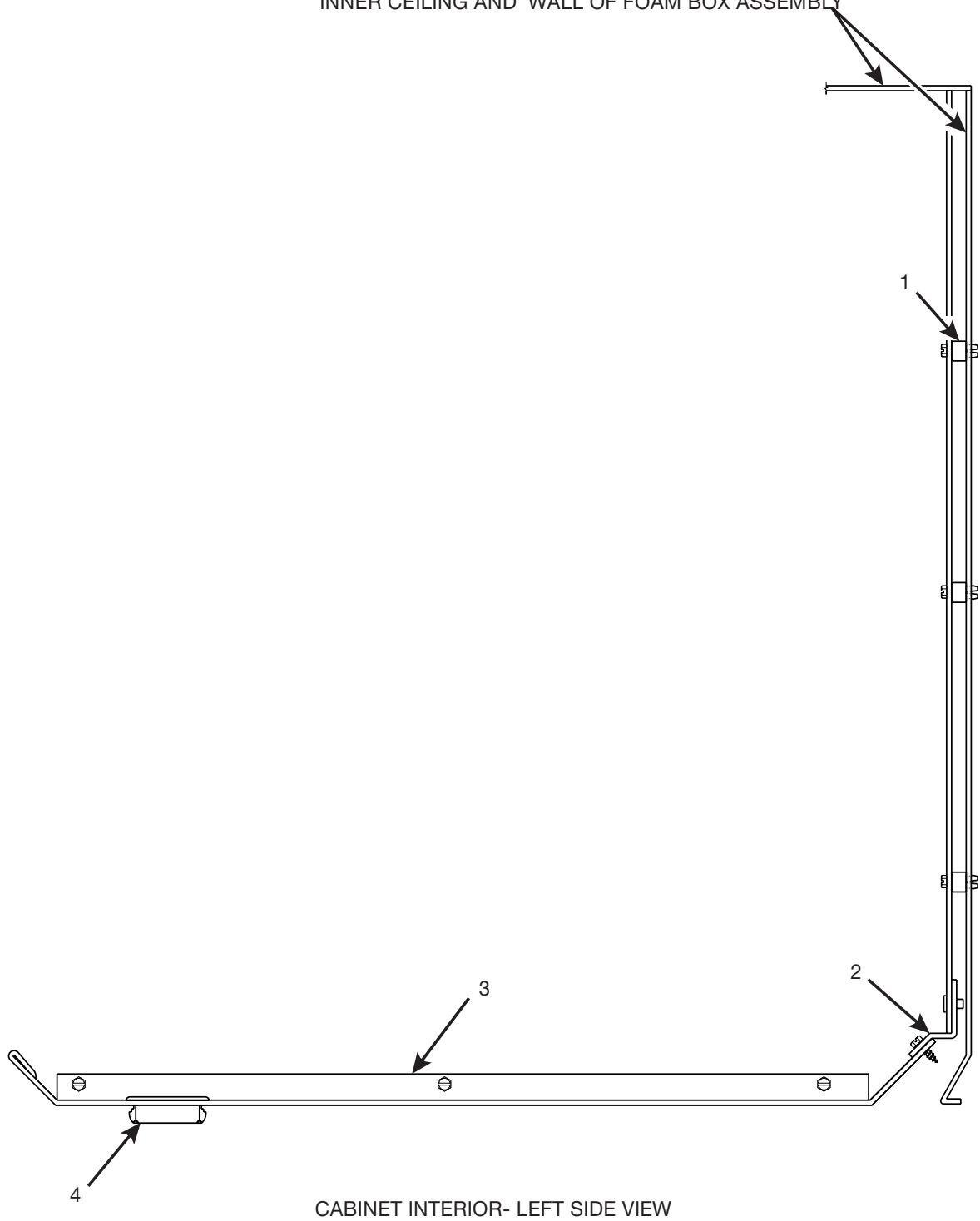
TABLE 62. CABINET INTERIOR - LEFT SIDE VIEW

| INDEX | PART NUMBER | DESCRIPTION | QTY. |
|--------------|--------------------|-------------------------------|-------------|
| 1 | 4407015 | RAIL AND STOP ASSEMBLY - L.H. | 3 |

Expanded Refreshment Center Parts Manual

FOOD MODULE - CABINET INTERIOR

INNER CEILING AND WALL OF FOAM BOX ASSEMBLY



CABINET INTERIOR- LEFT SIDE VIEW

497P0064

Figure 66. Food Module Cabinet Interior - Section

Expanded Refreshment Center Parts Manual

TABLE 63. FOOD MODULE CABINET INTERIOR - SECTION

| INDEX | PART NUMBER | DESCRIPTION | QTY. |
|-------|-------------|-----------------------------------|------|
| 1 | 4241165 | SPACER - LINER .375 LG X .500 DIA | 5 |
| 2 | 4975048 | SUPPORT - AIR DUCT - COLD FOOD | 1 |
| | 4975050 | AIR DUCT ASSEMBLY - FROZEN FOOD | |
| 3 | 4975021 | PANEL - LINER - BOTTOM | 1 |
| 4 | 3106186 | BUSHING #SB1187-15 | 1 |

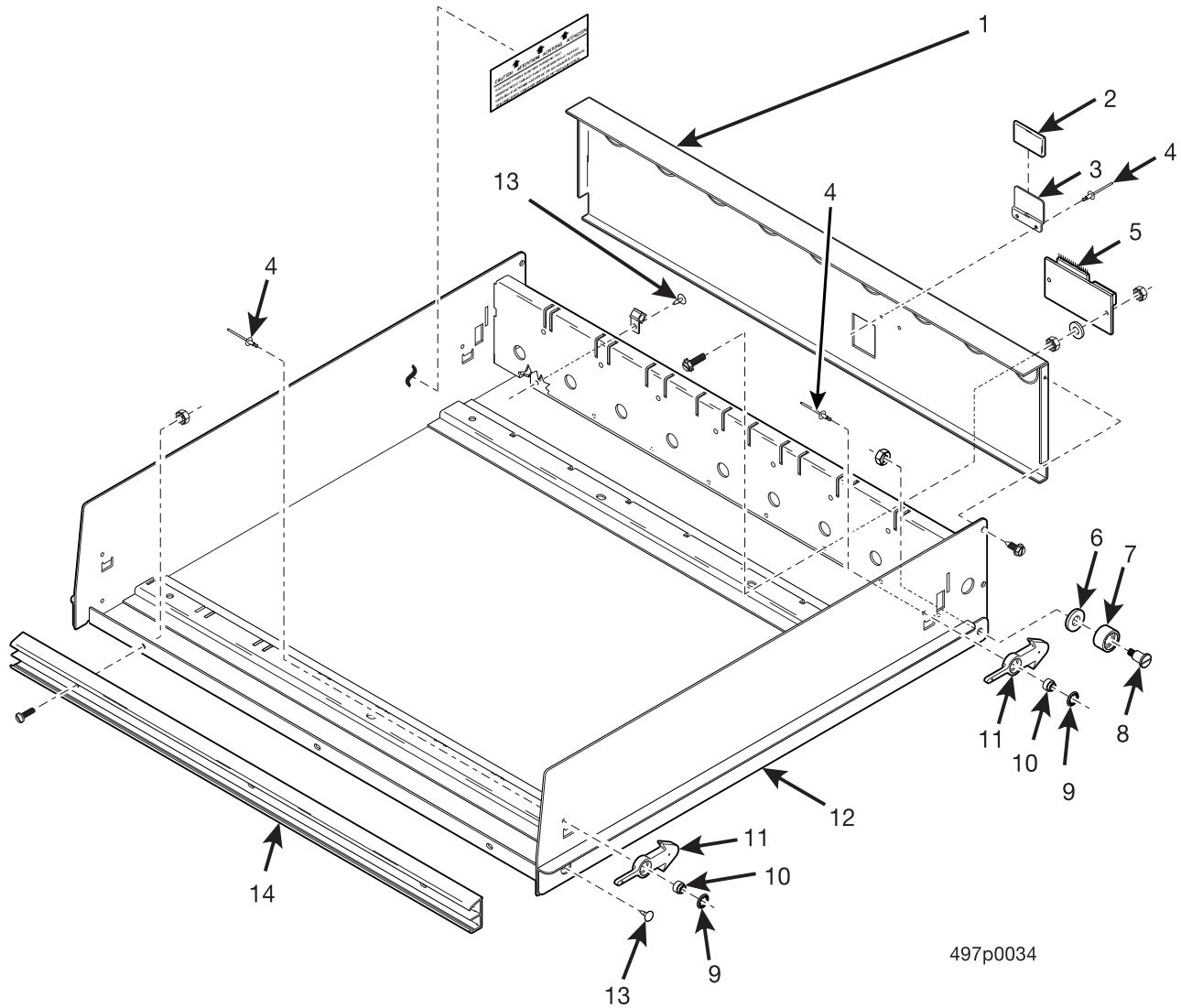


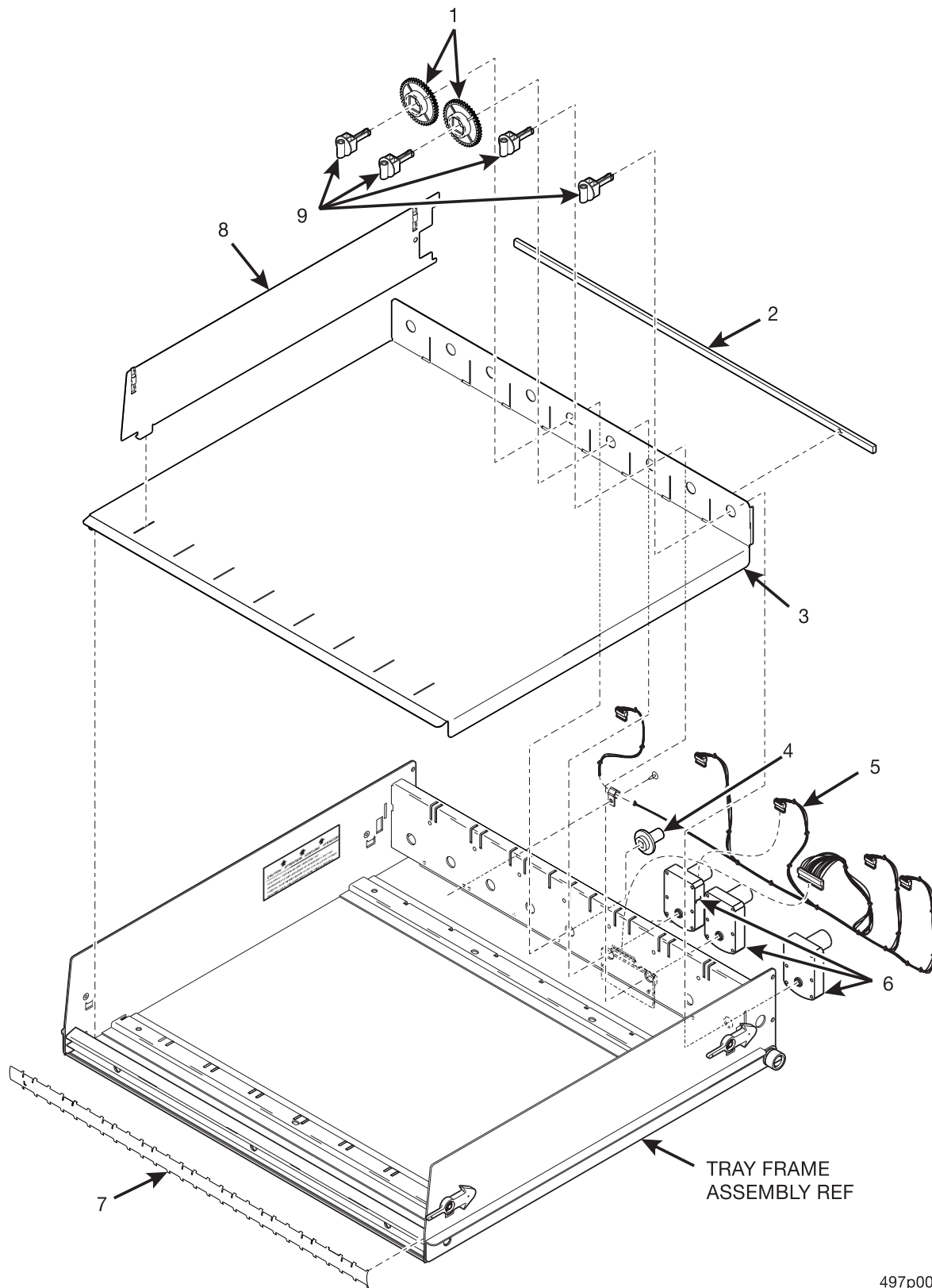
Figure 67. Food Module Tray Frame Assembly

Expanded Refreshment Center Parts Manual

TABLE 64. FOOD MODULE TRAY FRAME ASSEMBLY

| INDEX | PART NUMBER | DESCRIPTION | QTY. |
|-------|-------------|-------------------------------------|------|
| - | 4977220 | TRAY FRAME ASSEMBLY | - |
| 1 | 4977221 | COVER - TRAY MOTORS | 1 |
| 2 | 4977212 | RECTANGULAR CLOSURE | 1 |
| 3 | 4977214 | BRACKET - CABLE CLAMP | 1 |
| 4 | 3502078 | RIVET - POP - .125 DIA X.265 | - |
| 5 | 4976105 | PCB ASSEMBLY - TRAY - EXPANDED FOOD | 1 |
| 6 | 5220042 | NYLON WASHER | 2 |
| 7 | 4407019 | ROLLER - TRAY | 2 |
| 8 | 4407514 | STUD - TRAY ROLLER | 2 |
| 9 | 5201267 | PUSH-ON RETAINER .312 | 4 |
| 10 | 4977208 | STUD - LATCH - TRAY | 4 |
| 11 | 1477017 | LATCH | 4 |
| 12 | 4977218 | TRAY ASSEMBLY - WELD | 1 |
| 13 | 4042556 | CANOE CLIP | 7 |
| 14 | 4975026 | RAIL - PRICE AND SELECTION | 1 |

Expanded Refreshment Center Parts Manual



497p0036

Figure 68. Spiral Tray Assembly - 5, 6, and 9 Motor

Expanded Refreshment Center Parts Manual

TABLE 65. SPIRAL TRAY ASSEMBLY - 5, 6, AND 9 MOTOR

| INDEX | PART NUMBER | DESCRIPTION | # OF MOTORS IN TRAY | | | |
|-------|-------------|--|---------------------|---|---|---|
| | | | 5 | 6 | 8 | 9 |
| - | 4977431 | SPIRAL MODULE ASSEMBLY - 5 MOTOR | X | | | |
| - | 4977430 | SPIRAL MODULE ASSEMBLY - 6 MOTOR | | X | | |
| - | 4977433 | SPIRAL MODULE ASSEMBLY - 8 MOTOR | | | X | |
| - | 4977432 | SPIRAL MODULE ASSEMBLY - 9 MOTOR | | | | X |
| 1 | 1477020 | GEAR - TRAY | 6 | - | - | - |
| 2 | 4977405 | GASKET - FOAM TAPE - .38 | 1 | 1 | 1 | 1 |
| 3 | 4977401 | BASE - SPIRAL TRAY | 1 | 1 | 1 | 1 |
| 4 | 1477022 | BEARING - COUPLER | 3 | - | - | - |
| 5 | 4979002 | HARNESS - TRAY EXPAN. MOD - 5 SELECT | 1 | - | - | - |
| | 4979001 | HARNESS - TRAY - EXPAN. MOD - 9 SELECT | - | 1 | 1 | 1 |
| 6 | 4744555 | MOTOR AND PCB ASSEMBLY | 5 | 6 | 8 | 9 |
| 7 | 4977402 | HOLDER - PRICE/SELECTION - SPIRAL | 1 | 1 | 1 | 1 |
| 8 | 4977404 | WALL - SPIRAL TRAY | 3 | 2 | 3 | 8 |
| 9 | 1477113 | COUPLING - SPIRAL | 9 | 6 | 8 | 9 |

TABLE 65 A. SPIRAL OPTIONS

| Spiral Count | Retainer Color | Retainer | PART NUMBERS | | | |
|--------------|----------------|----------|--------------|---------|------------|---------|
| | | | LEFT HAND | | RIGHT HAND | |
| | | | Assembly | Spiral | Assembly | Spiral |
| 5 | TAN | 4407817 | 4977410 | 4977411 | 4977412 | 4977413 |
| 6 | DARK GREEN | 4407822 | 4977414 | 4977415 | 4977416 | 4977417 |
| 7 | MAUVE | 4407827 | 4977418 | 4977419 | 4977420 | 4977421 |
| 9 | AQUA | 4407833 | 4977422 | 4977423 | 4977424 | 4977425 |
| 12 | BLACK | 1477073 | 4977426 | 4977427 | 4977428 | 4977429 |

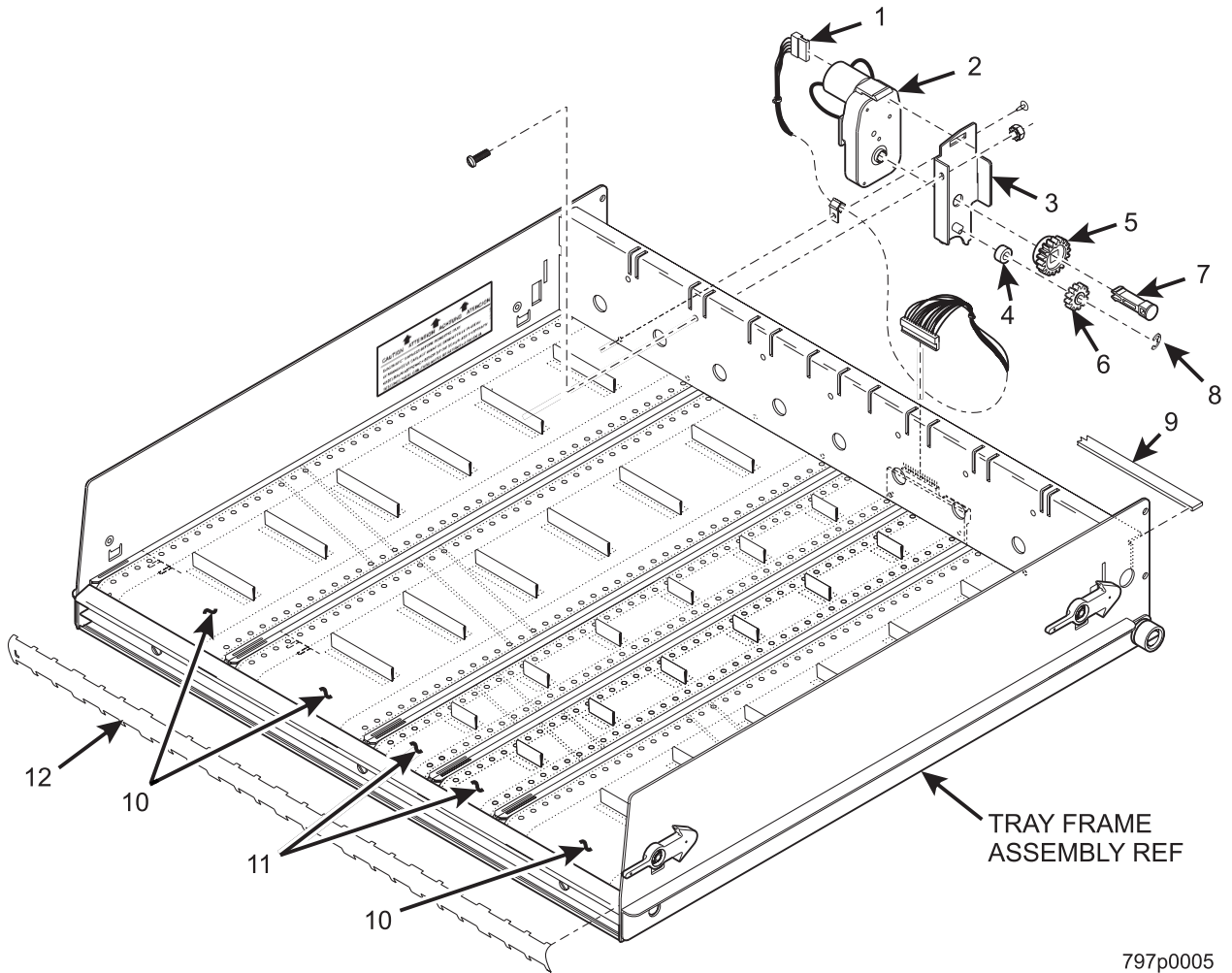


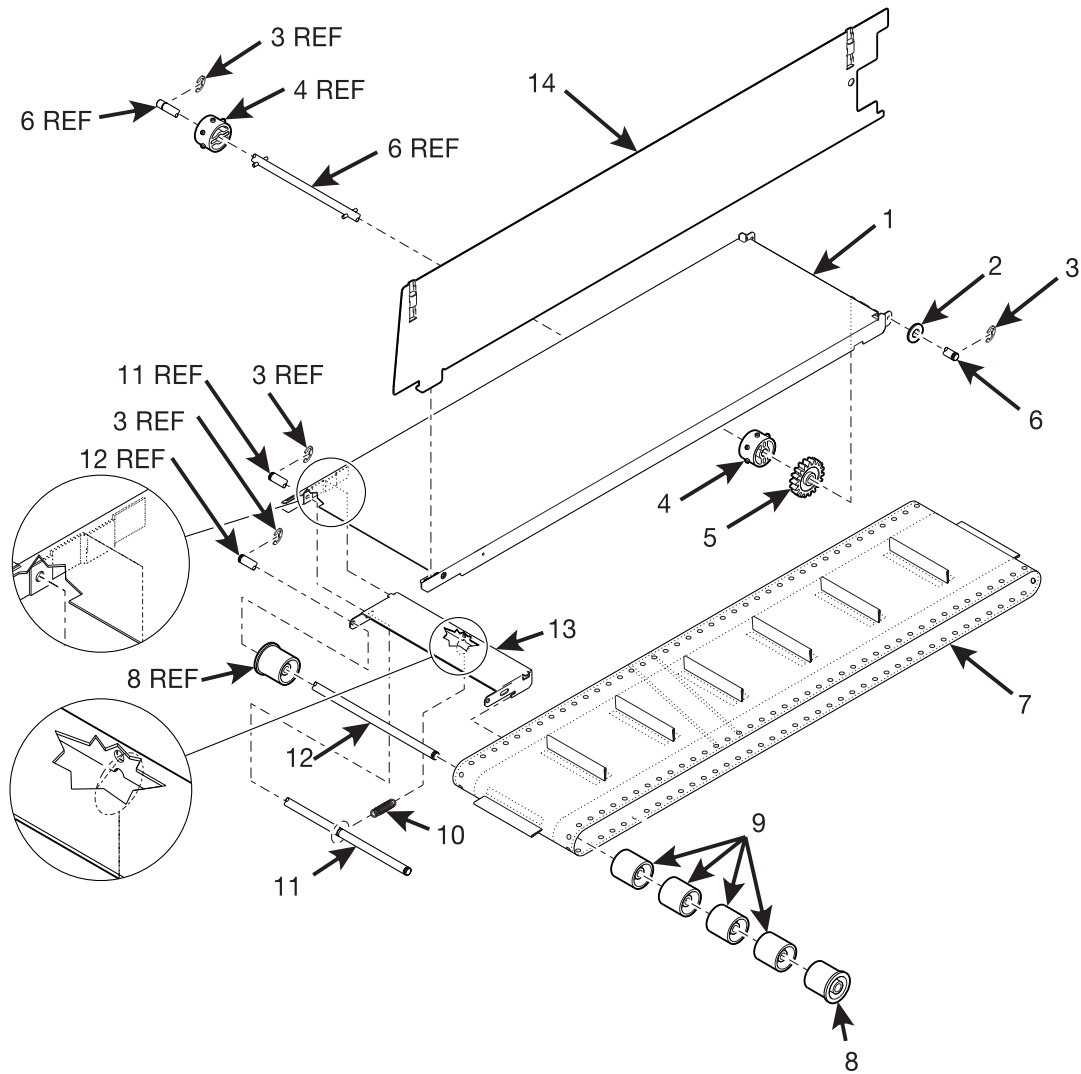
Figure 69. Belt Module Tray Assembly

Expanded Refreshment Center Parts Manual

TABLE 66. BELT MODULE TRAY ASSEMBLY

| INDEX | PART NUMBER | DESCRIPTION | QTY. |
|-------|-------------|--|------|
| - | 4977335 | BELT MODULE AND TRAY ASSEMBLY - 5 MOTOR | - |
| | 4977334 | BELT MODULE AND TRAY ASSEMBLY - 4 MOTOR (NOT SHOWN) | |
| | 4977349 | BELT MODULE AND TRAY ASSEMBLY - 8 MOTOR (NOT SHOWN) | |
| 1 | 4979006 | HARNESS - TRAY - EXPAN. MOD - 8 SELECT (USED IN 5 AND 8 MOTOR TRAY ASSEMBLIES) | 1 |
| | 4979003 | HARNESS - TRAY - EXPAN. MOD - 4 SELECT (4 MOTOR TRAY ONLY) | |
| 2 | 4977312 | MOTOR AND PCB ASSEMBLY | OPT. |
| 3 | 4977347 | BRACKET/MOTOR AND STUD MOUNTING ASSEMBLY | OPT. |
| 4 | 4977325 | SPACER | OPT |
| 5 | 4977316 | GEAR - DRIVE - MOTOR | OPT |
| 6 | 4407712 | COUPLING - MOTOR | OPT |
| 7 | 3103029 | WALDES TRUARC RING | OPT |
| 8 | 4977315 | RETAINER - DIVIDER - WALL | 1 |
| 9 | 4407616 | GEAR - IDLER - BELT MODULE | 5 |
| 10 | 4977322 | BELT AND SUPPORT ASSEMBLY - SINGLE (SEE FIGURE 70 FOR DETAILS) | OPT |
| 11 | 4977323 | BELT AND SUPPORT ASSEMBLY - DUAL (SEE FIGURE 71 FOR DETAILS) | OPT. |
| 12 | 4977310 | HOLDER - PRICE AND SELECTION | 1 |

Expanded Refreshment Center Parts Manual



497p0087

Figure 70. Belt and Support Assembly - Single

Expanded Refreshment Center Parts Manual

TABLE 67. BELT AND SUPPORT ASSEMBLY - SINGLE

| INDEX | PART NUMBER | DESCRIPTION | QTY. |
|-------|-------------|---|------|
| - | 4977322 | BELT AND SUPPORT ASSEMBLY - SINGLE | - |
| 1 | 4977318 | BELT AND SUPPORT ASSEMBLY WELD - SINGLE | 1 |
| 2 | 9900041 | WASHER - BRASS - 9/16 X .260 X .040 | 1 |
| 3 | 3103029 | WALDES TRUARC RING | 4 |
| 4 | 4407619 | SPROCKET - DRIVE | 2 |
| 5 | 4407618 | GEAR - BELT DRIVE | 1 |
| 6 | 4977341 | DRIVE SHAFT ASSEMBLY | 1 |
| 7 | 4977337 | BELT - CONVEYOR - SINGLE | 1 |
| 8 | 4407611 | ROLLER - BELT - OUTSIDE | 2 |
| 9 | 4407612 | ROLLER - BELT - INSIDE | 4 |
| 10 | 3108221 | SCREW - #8-32 X 3/8 PHS ST. STL | - |
| 11 | 4977343 | SHAFT - BELT TENSIONER - DUAL | 1 |
| 12 | 4977340 | SHAFT BELT - FRONT | 1 |
| 13 | 4977339 | SUPPORT - BELT END | 1 |
| 14 | 4977404 | WALL - SPIRAL TRAY (4-BELT TRAY) | 3 |
| | | WALL - SPIRAL TRAY (5-BELT TRAY) | 4 |
| | | WALL - SPIRAL TRAY (8-BELT TRAY) | 7 |

Expanded Refreshment Center Parts Manual

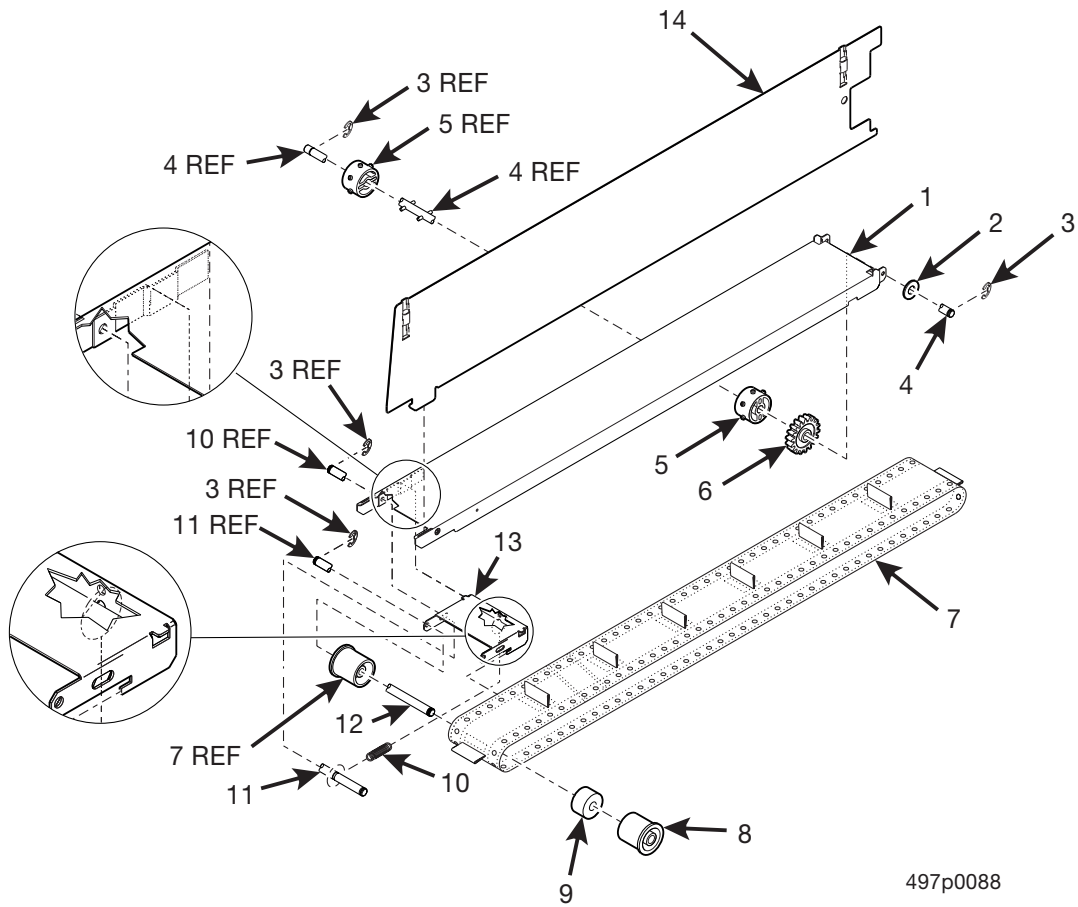


Figure 71. Belt and Support Assembly - Dual

Expanded Refreshment Center Parts Manual

TABLE 68. BELT AND SUPPORT ASSEMBLY - DUAL

| INDEX | PART NUMBER | DESCRIPTION | QTY. |
|-------|-------------|---------------------------------------|------|
| - | 4977323 | BELT AND SUPPORT ASSEMBLY - DUAL | - |
| 1 | 4977319 | BELT AND SUPPORT ASSEMBLY WELD - DUAL | 1 |
| 2 | 9900041 | WASHER - BRASS - 9/16 X .260 X .040 | 1 |
| 3 | 3103029 | WALDES TRUARC RING | 4 |
| 4 | 4977328 | DRIVE SHAFT ASSEMBLY - DUAL | 1 |
| 5 | 4407619 | SPROCKET - DRIVE | 2 |
| 6 | 4407618 | GEAR - BELT DRIVE | 1 |
| 7 | 4977326 | BELT - CONVEYOR - DUAL | 1 |
| 8 | 4407611 | ROLLER - BELT - OUTSIDE | 2 |
| 9 | 4977329 | SPACER | 2 |
| 10 | 4407607 | SPRING - BELT TENSION | 1 |
| 11 | 4977343 | SHAFT - BELT TENSIONER - DUAL | 1 |
| 12 | 4977330 | SHAFT BELT - FRONT - DUAL | 1 |
| 13 | 4977326 | SUPPORT - BELT END - DUAL | 1 |
| 14 | 4977404 | WALL - SPIRAL TRAY (4-BELT TRAY) | 3 |
| | | WALL - SPIRAL TRAY (5-BELT TRAY) | 4 |
| | | WALL - SPIRAL TRAY (8-BELT TRAY) | 7 |

Expanded Refreshment Center Parts Manual

TABLE 69. REFRIGERATION UNIT COMPONENTS

| MACHINE CONFIGURATION | 797 AMBIENT SNACK AND CAN (115 V DOMESTIC) | 797 AMBIENT SNACK AND REFRIGERATED FOOD (115 V DOMESTIC) | 797 AMBIENT SNACK AND FRO- ZEN FOOD (115 V DOMESTIC) | 797 AMBIENT SNACK AND CAN (230 V INTERNATIONAL) | 798 CHILLED SNACK AND CAN (230 V INTERNATIONAL) | 798 CHILLED SNACK AND REFRIGERATED FOOD (230 V INTERNATIONAL) |
|---|---|--|---|--|--|---|
| | PART NUMBER | | | | | |
| PART DESCRIPTION | PART NUMBER | | | | | |
| REFRIGERATION UNIT ASSEMBLY | 4974000 | 4974045 | 4974025 | 4974022 | 4984047 | 4984048 |
| COMPRESSOR | 4744108 | 4744108 | 7974008 | 4844014 | 4984016 | 4984016 |
| COMPRESSOR COMPONENTS | 4744106 | 4744106 | 7974009 | 4844015 | 4984015 | 4984015 |
| CONDENSER | 4744109 | 4744109 | 4984022 | 4744109 | 4984022 | 4984022 |
| CONDENSER FAN MOTOR | 4744112 | 4744112 | 4304092 | 3618157 | 4774122 | 4774122 |
| CONDENSER FAN BLADE | 3608149 | 3608149 | 4774027 | 3608149 | 4774027 | 4774027 |
| EXPANSION DEVICE | | | | | 4774087 | 4774087 |
| EVAPORATOR - CHILLED SNACK | | | | | 4984023 | 4984023 |
| EVAPORATOR FAN ASSEMBLY | | | | | 4874002 | 4874002 |
| EXPANSION DEVICE | 4844024 | 4844024 | | 4844024 | 4774087 | 4774087 |
| EVAPORATOR - CAN & REFRIGER- ATED FOOD | 4744044 | 4744044 | | 4744044 | 4984024 | 4984024 |
| EVAPORATOR FAN ASSEMBLY | 4724124 | 4724124 | | 4844001 | 4844001 | 4844001 |
| EXPANSION DEVICE | | | 4744573 | | | |
| EVAPORATOR - FROZEN FOOD | | | 4974040 | | | |
| EVAPORATOR FAN ASSEMBLY | | | 4844000 | | | |
| RETURN AIR TEMPERATURE PROBE | 4119013 | 4119013 | 4119013 | 4119013 | 4119013 | 4119013 |
| EPR VALVE | | | | | 4774089 | 4774089 |
| TRIAC | 4646004 | 4846005 | 4644007 | 4646004 | 4646004 | 4846005 |

Expanded Refreshment Center Parts Manual

TABLE 70. BAG ASSEMBLY B4970000

| PART NUMBER | DESCRIPTION | QTY. |
|--------------------|------------------------------|-------------|
| B4970000 | BAG ASSEMBLY-CAN:15 (U.S.) | - |
| WD167002 | W.D.115V SNK.-CHIL/CAN/COF/M | 1 |
| WD497000 | W.D.-10 SEL.CAN MOD.-W/G&M | 1 |
| 1477015 | ROLL-PRICE DOLLARS KB | 12 |
| 1477071 | PACKAGE ASSY-PRODUCT PUSHER | |
| 1477083 | RETAINER-SPIRAL-WALL | 10 |
| 1575107 | TAG-PRICE-G&M-.25-1.55 | 1 |
| 1577047 | LABEL-ITEM LETTERS-A0-A9 | 1 |
| 1577048 | LABEL-ITEM LETTERS-B0-B9 | 1 |
| 1577049 | LABEL-ITEM LETTERS-C0-C9 | 1 |
| 1670001 | MAIN SNACK SET-UP GUIDE | 1 |
| 1670024 | SNACK/RC PROGRAMMING GUIDE | 1 |
| 1679059 | LIST-HARNESSES | 1 |
| 2360036 | BAG PACKING | 2 |
| 4747091 | FLAVOR STRIPS-10 | 1 |
| 4747097 | PROD.ID LBL/FLAVR STRIP INST | 1 |
| 4770039 | BAG-PLASTIC-10"X13 | 1 |
| 4840053 | SET UP GUIDE-CAN/COLD FD/FZN | 1 |
| 4970022 | LIST-BAG ASSY B4970000-CONTE | |

Expanded Refreshment Center Parts Manual

TABLE 71. BAG ASSEMBLY B4970006

| PART NUMBER | DESCRIPTION | QTY. |
|-------------|------------------------------|------|
| B4970006 | BAG ASSEMBLY-FOOD:15 (U.S.) | - |
| WD167002 | W.D.115V SNK.-CHIL/CAN/COF/M | 1 |
| WD497001 | W.D.-FOOD MODULE-EXPANDED | 1 |
| 1477014 | ROLL-PRICE CENTS (KB) | 10 |
| 1477015 | ROLL-PRICE DOLLARS KB | 12 |
| 1477071 | PACKAGE ASSY-PRODUCT PUSHER | |
| 1477083 | RETAINER-SPIRAL-WALL | 10 |
| 1575107 | TAG-PRICE-G&M-.25-1.55 | 1 |
| 1577047 | LABEL-ITEM LETTERS-A0-A9 | 1 |
| 1577048 | LABEL-ITEM LETTERS-B0-B9 | 1 |
| 1577049 | LABEL-ITEM LETTERS-C0-C9 | 1 |
| 1577050 | LABEL-ITEM LETTERS-D0-D9 | 1 |
| 1577051 | LABEL-ITEM LETTERS-E0-E9 KB | 1 |
| 1577052 | LABEL-ITEM LETTERS-F0-F9 KB | 1 |
| 1670001 | MAIN SNACK SET-UP GUIDE | 1 |
| 1670024 | SNACK/RC PROGRAMMING GUIDE | 1 |
| 1679059 | LIST-HARNESSES | 1 |
| 2360036 | BAG PACKING | 3 |
| 4612001 | DECAL-"CHILLED FOR FRESHNESS | 1 |
| 4840053 | SET UP GUIDE-CAN/COLD FD/FZN | 1 |
| 5920012 | BAG-PLASTIC-12 X 15 | 1 |

Expanded Refreshment Center Parts Manual

TABLE 72. BAG ASSEMBLY B4980001

| PART NUMBER | DESCRIPTION | QTY. |
|-------------|-------------------------------|------|
| B4980001 | BAG ASSEMBLY:CAN-1 (U.K.) | - |
| WD487001 | W.D.-SNACK-3 TRAY-230V-EXEC | 1 |
| WD497000 | W.D.-10 SEL.CAN MOD.-W/G&M | 1 |
| 1472273 | PRICE ROLL-UK-1L/10L,35P/95P | 5 |
| 1472274 | PRICE ROLL-UK-1L/10L,8P/35P | 32 |
| 1477014 | ROLL-PRICE CENTS (KB) | 40 |
| 1477071 | PACKAGE ASSY-PRODUCT PUSHER | |
| 1477083 | RETAINER-SPIRAL-WALL | 10 |
| 1477123 | PRICE ROLL-0TO25-UK/GER/FR(K) | 42 |
| 1572205 | ROLL-PRICE-UK-36PTO62P+FREE | 10 |
| 1572206 | ROLL-PRICE-UK,63P TO 90P, KB | 5 |
| 1575083 | COIN CHUTE & BRACKET ASSEMBL | 1 |
| 1575086 | INSTR.SHEET-COIN CHUTE & BRK | 1 |
| 1577061 | LABEL-ITEM LETTERS-A0-A9-U.K | 1 |
| 1577062 | LABEL-ITEM LETTERS-B0-B9-U.K | 1 |
| 1577063 | LABEL-ITEM LETTERS-C0-C9-U.K | 1 |
| 1577064 | LABEL-ITEM LETTERS-D0-D9-U.K | 1 |
| 1577065 | LABEL-ITEM LETTERS-E0-E9-U.K | 1 |
| 1577066 | LABEL-ITEM LETTERS-F0-F9-U.K | 1 |
| 1670001 | MAIN SNACK SET-UP GUIDE | 1 |
| 1670024 | SNACK/RC PROGRAMMING GUIDE | 1 |
| 1672027 | INSERT-INSTR-LOWER-EUROCOIN | 1 |
| 2360036 | BAG PACKING | 3 |
| 4612001 | DECAL-"CHILLED FOR FRESHNESS | 1 |
| 4747091 | FLAVOR STRIPS-10 | 1 |
| 4747097 | PROD.ID LBL/FLAVR STRIP INST | 1 |
| 4840053 | SET UP GUIDE-CAN/COLD FD/FZN | 1 |
| 5920012 | BAG-PLASTIC-12 X 15 | 1 |

Expanded Refreshment Center Parts Manual

TABLE 73. BAG ASSEMBLY B4980007

| PART NUMBER | DESCRIPTION | QTY. |
|-------------|------------------------------|------|
| B4980007 | BAG ASSEMBLY-FOOD-1 (U.K.) | - |
| WD487001 | W.D.-SNACK-3 TRAY-230V-EXEC | 1 |
| WD497000 | W.D.-10 SEL.CAN MOD.-W/G&M | 1 |
| 1472273 | PRICE ROLL-UK-1L/10L,35P/95P | 5 |
| 1472274 | PRICE ROLL-UK-1L/10L,8P/35P | 32 |
| 1477071 | PACKAGE ASSY-PRODUCT PUSHER | |
| 1477083 | RETAINER-SPIRAL-WALL | 10 |
| 1572205 | ROLL-PRICE-UK-36PTO62P+FREE | 10 |
| 1572206 | ROLL-PRICE-UK,63P TO 90P, KB | 5 |
| 1575083 | COIN CHUTE & BRACKET ASSEMBL | 1 |
| 1575086 | INSTR.SHEET-COIN CHUTE & BRK | 1 |
| 1577061 | LABEL-ITEM LETTERS-A0-A9-U.K | 1 |
| 1577062 | LABEL-ITEM LETTERS-B0-B9-U.K | 1 |
| 1577063 | LABEL-ITEM LETTERS-C0-C9-U.K | 1 |
| 1577064 | LABEL-ITEM LETTERS-D0-D9-U.K | 1 |
| 1577065 | LABEL-ITEM LETTERS-E0-E9-U.K | 1 |
| 1577066 | LABEL-ITEM LETTERS-F0-F9-U.K | 1 |
| 1670001 | MAIN SNACK SET-UP GUIDE | 1 |
| 1670024 | SNACK/RC PROGRAMMING GUIDE | 1 |
| 2360036 | BAG PACKING | 3 |
| 4612001 | DECAL-"CHILLED FOR FRESHNESS | 1 |
| 4840053 | SET UP GUIDE-CAN/COLD FD/FZN | 1 |
| 4980025 | LIST-BAG ASSY B4980007-CONTE | 1 |
| 5920012 | BAG-PLASTIC-12 X 15 | 1 |

Expanded Refreshment Center Parts Manual

TABLE 74. BAG ASSEMBLY B7980001

| PART NUMBER | DESCRIPTION | QTY. |
|--------------------|---|-------------|
| B7980001 | BAG ASSY-CAN: 5-6-7-8 (MEXICO, FRANCE, GERMANY, SWEDEN) | - |
| WD167002 | W.D.115V SNK.-CHIL/CAN/COF/M | 1 |
| WD487001 | W.D.-SNACK-3 TRAY-230V-EXEC | 1 |
| WD497000 | W.D.-10 SEL.CAN MOD.-W/G&M | 1 |
| 1477083 | RETAINER-SPIRAL-WALL | 10 |
| 1477123 | PRICE ROLL-0TO25-UK/GER/FR(K | 42 |
| 1577054 | LABEL-ITEM LETTERS-A0-A9-GER | 1 |
| 1577055 | LABEL-ITEM LETTERS-B0-B9-GER | 1 |
| 1577056 | LABEL-ITEM LETTERS-C0-C9-GER | 1 |
| 1577057 | LABEL-ITEM LETTERS-D0-D9-GER | 1 |
| 1577058 | LABEL-ITEM LETTERS-E0-E9-GER | 1 |
| 1577059 | LABEL-ITEM LETTERS-F0-F9-GER | 1 |
| 1670001 | MAIN SNACK SET-UP GUIDE | 1 |
| 1670024 | SNACK/RC PROGRAMMING GUIDE | 1 |
| 1679059 | LIST-HARNESSES | 1 |
| 2360036 | BAG PACKING | 3 |
| 4747091 | FLAVOR STRIPS-10 | 1 |
| 4747097 | PROD.ID LBL/FLAVR STRIP INST | 1 |
| 4840053 | SET UP GUIDE-CAN/COLD FD/FZN | 1 |
| 5920012 | BAG-PLASTIC-12 X 15 | 1 |

Expanded Refreshment Center Parts Manual

TABLE 75. BAG ASSEMBLY B4980004

| PART NUMBER | DESCRIPTION | QTY. |
|-------------|---|------|
| B4980004 | BAG ASSEMBLY-FOOD-6-7 (FRANCE, GERMANY) | - |
| WD487001 | W.D.-SNACK-3 TRAY-230V-EXEC | 1 |
| WD497000 | W.D.-10 SEL.CAN MOD.-W/G&M | 1 |
| 1477083 | RETAINER-SPIRAL-WALL | 10 |
| 1477123 | PRICE ROLL-0TO25-UK/GER/FR(K | 42 |
| 1577054 | LABEL-ITEM LETTERS-A0-A9-GER | 1 |
| 1577055 | LABEL-ITEM LETTERS-B0-B9-GER | 1 |
| 1577056 | LABEL-ITEM LETTERS-C0-C9-GER | 1 |
| 1577057 | LABEL-ITEM LETTERS-D0-D9-GER | 1 |
| 1577058 | LABEL-ITEM LETTERS-E0-E9-GER | 1 |
| 1577059 | LABEL-ITEM LETTERS-F0-F9-GER | 1 |
| 1670001 | MAIN SNACK SET-UP GUIDE | 1 |
| 1670024 | SNACK/RC PROGRAMMING GUIDE | 1 |
| 2360036 | BAG PACKING | 3 |
| 4840053 | SET UP GUIDE-CAN/COLD FD/FZN | 1 |
| 5920012 | BAG-PLASTIC-12 X 15 | 1 |

Expanded Refreshment Center Parts Manual

TABLE 76. BAG ASSEMBLY B7970005

| PART NUMBER | DESCRIPTION | QTY. |
|--------------------|---|-------------|
| B7970005 | BAG ASSY-CAN: 14-17 (ARGENTINA, TAIWAN) | 1 |
| WD167002 | W.D.115V SNK.-CHIL/CAN/COF/M | 1 |
| WD487001 | W.D.-SNACK-3 TRAY-230V-EXEC | 1 |
| WD497000 | W.D.-10 SEL.CAN MOD.-W/G&M | 1 |
| 1477015 | ROLL-PRICE DOLLARS KB | 30 |
| 1477071 | PACKAGE ASSY-PRODUCT PUSHER | |
| 1477083 | RETAINER-SPIRAL-WALL | 10 |
| 1575107 | TAG-PRICE-G&M-.25-1.55 | 1 |
| 1577047 | LABEL-ITEM LETTERS-A0-A9 | 1 |
| 1577048 | LABEL-ITEM LETTERS-B0-B9 | 1 |
| 1577049 | LABEL-ITEM LETTERS-C0-C9 | 1 |
| 1670034 | LABEL-SUREVEND LOGO-3.75"WID | 1 |
| 1679059 | LIST-HARNESSES | 1 |
| 2360036 | BAG PACKING | 1 |
| 4747091 | FLAVOR STRIPS-10 | 1 |
| 4747097 | PROD.ID LBL/FLAVR STRIP INST | 3 |
| 4870040 | DOCUMENTATION PACKAGE | 1 |
| 5920012 | BAG-PLASTIC-12 X 15 | 1 |

Expanded Refreshment Center Parts Manual

TABLE 77. BAG ASSEMBLY B4980005

| PART NUMBER | DESCRIPTION | QTY. |
|-------------|----------------------------------|------|
| B4980005 | BAG ASSEMBLY-FOOD-14 (ARGENTINA) | - |
| WD487001 | W.D.-SNACK-3 TRAY-230V-EXEC | 1 |
| WD497000 | W.D.-10 SEL.CAN MOD.-W/G&M | 1 |
| 1477015 | ROLL-PRICE DOLLARS KB | 24 |
| 1477071 | PACKAGE ASSY-PRODUCT PUSHER | |
| 1477083 | RETAINER-SPIRAL-WALL | 10 |
| 1577047 | LABEL-ITEM LETTERS-A0-A9 | 1 |
| 1577048 | LABEL-ITEM LETTERS-B0-B9 | 1 |
| 1577049 | LABEL-ITEM LETTERS-C0-C9 | 1 |
| 1670001 | MAIN SNACK SET-UP GUIDE | 1 |
| 1670024 | SNACK/RC PROGRAMMING GUIDE | 1 |
| 2360036 | BAG PACKING | 3 |
| 4840053 | SET UP GUIDE-CAN/COLD FD/FZN | 1 |
| 4980023 | LIST-BAG ASSY B4980005-CONTE | 1 |
| 5920012 | BAG-PLASTIC-12 X 15 | 1 |

Expanded Refreshment Center Parts Manual

TABLE 78. BAG ASSEMBLY B7970003

| PART NUMBER | DESCRIPTION | QTY. |
|--------------------|---|-------------|
| B7970003 | BAG ASSY-CAN: 3-4-5 (LATIN AMERICA, BRAZIL, MEXICO) | - |
| WD167002 | W.D.115V SNK.-CHIL/CAN/COF/M | 1 |
| WD487001 | W.D.-SNACK-3 TRAY-230V-EXEC | 1 |
| WD497000 | W.D.-10 SEL.CAN MOD.-W/G&M | 1 |
| 1477071 | PACKAGE ASSY-PRODUCT PUSHER | |
| 1477083 | RETAINER-SPIRAL-WALL | 10 |
| 1477123 | PRICE ROLL-0TO25-UK/GER/FR(K | 42 |
| 1577061 | LABEL-ITEM LETTERS-A0-A9-U.K | 1 |
| 1577062 | LABEL-ITEM LETTERS-B0-B9-U.K | 1 |
| 1577063 | LABEL-ITEM LETTERS-C0-C9-U.K | 1 |
| 1577064 | LABEL-ITEM LETTERS-D0-D9-U.K | 1 |
| 1577065 | LABEL-ITEM LETTERS-E0-E9-U.K | 1 |
| 1577066 | LABEL-ITEM LETTERS-F0-F9-U.K | 1 |
| 1670001 | MAIN SNACK SET-UP GUIDE | 1 |
| 1670024 | SNACK/RC PROGRAMMING GUIDE | 1 |
| 1670034 | LABEL-SUREVEND LOGO-3.75"WID | 1 |
| 1679059 | LIST-HARNESSES | 1 |
| 2360036 | BAG PACKING | 3 |
| 4747091 | FLAVOR STRIPS-10 | 1 |
| 4747097 | PROD.ID LBL/FLAVR STRIP INST | 1 |
| 4840053 | SET UP GUIDE-CAN/COLD FD/FZN | 1 |
| 5920012 | BAG-PLASTIC-12 X 15 | 1 |

Expanded Refreshment Center Parts Manual

TABLE 79. BAG ASSEMBLY B4970007

| PART NUMBER | DESCRIPTION | QTY. |
|-------------|------------------------------|------|
| B4970007 | BAG ASSEMBLY-FOOD-5 (MEXICO) | - |
| WD167002 | W.D.115V SNK.-CHIL/CAN/COF/M | 1 |
| WD487001 | W.D.-SNACK-3 TRAY-230V-EXEC | 1 |
| WD497000 | W.D.-10 SEL.CAN MOD.-W/G&M | 1 |
| 1477014 | ROLL-PRICE CENTS (KB) | 10 |
| 1477071 | PACKAGE ASSY-PRODUCT PUSHER | |
| 1477083 | RETAINER-SPIRAL-WALL | 10 |
| 1477123 | PRICE ROLL-0TO25-UK/GER/FR(K | 40 |
| 1577054 | LABEL-ITEM LETTERS-A0-A9-GER | 1 |
| 1577055 | LABEL-ITEM LETTERS-B0-B9-GER | 1 |
| 1577056 | LABEL-ITEM LETTERS-C0-C9-GER | 1 |
| 1577057 | LABEL-ITEM LETTERS-D0-D9-GER | 1 |
| 1577058 | LABEL-ITEM LETTERS-E0-E9-GER | 1 |
| 1577059 | LABEL-ITEM LETTERS-F0-F9-GER | 1 |
| 1670001 | MAIN SNACK SET-UP GUIDE | 1 |
| 1670024 | SNACK/RC PROGRAMMING GUIDE | 1 |
| 1679059 | LIST-HARNESSES | 1 |
| 2360036 | BAG PACKING | 3 |
| 4612001 | DECAL-"CHILLED FOR FRESHNESS | 1 |
| 4840053 | SET UP GUIDE-CAN/COLD FD/FZN | 1 |
| 5920012 | BAG-PLASTIC-12 X 15 | 1 |

Expanded Refreshment Center Parts Manual

TABLE 80. BAG ASSEMBLY B4980006

| PART NUMBER | DESCRIPTION | QTY. |
|--------------------|------------------------------|-------------|
| B4980006 | BAG ASSEMBLY-FOOD-4 (BRAZIL) | - |
| WD487001 | W.D.-SNACK-3 TRAY-230V-EXEC | 1 |
| WD497000 | W.D.-10 SEL.CAN MOD.-W/G&M | 1 |
| 1477071 | PACKAGE ASSY-PRODUCT PUSHER | |
| 1477083 | RETAINER-SPIRAL-WALL | 10 |
| 1477123 | PRICE ROLL-0TO25-UK/GER/FR(K | 40 |
| 1577061 | LABEL-ITEM LETTERS-A0-A9-U.K | 1 |
| 1577062 | LABEL-ITEM LETTERS-B0-B9-U.K | 1 |
| 1577063 | LABEL-ITEM LETTERS-C0-C9-U.K | 1 |
| 1670001 | MAIN SNACK SET-UP GUIDE | 1 |
| 1670024 | SNACK/RC PROGRAMMING GUIDE | 1 |
| 2360036 | BAG PACKING | 3 |
| 4840053 | SET UP GUIDE-CAN/COLD FD/FZN | 1 |
| 4980024 | LIST-BAG ASSY B4980006-CONTE | 1 |
| 5920012 | BAG-PLASTIC-12 X 15 | 1 |

Expanded Refreshment Center Parts Manual

TABLE 81. BAG ASSEMBLY B7970004

| PART NUMBER | DESCRIPTION | QTY |
|--------------------|--|------------|
| B7970004 | BAG ASSY-CAN: 11-12-31 (AUSTRALIA, NEW ZEALAND, CHINA) | - |
| WD487001 | W.D.-SNACK-3 TRAY-230V-EXEC | 1 |
| WD497000 | W.D.-10 SEL.CAN MOD.-W/G&M | 1 |
| 1477071 | PACKAGE ASSY-PRODUCT PUSHER | |
| 1477083 | RETAINER-SPIRAL-WALL | 10 |
| 1477123 | PRICE ROLL-0TO25-UK/GER/FR(K) | 42 |
| 1577047 | LABEL-ITEM LETTERS-A0-A9 | 1 |
| 1577048 | LABEL-ITEM LETTERS-B0-B9 | 1 |
| 1577049 | LABEL-ITEM LETTERS-C0-C9 | 1 |
| 1670001 | MAIN SNACK SET-UP GUIDE | 1 |
| 1670024 | SNACK/RC PROGRAMMING GUIDE | 1 |
| 2360036 | BAG PACKING | 3 |
| 4612001 | DECAL-"CHILLED FOR FRESHNESS | 1 |
| 4747091 | FLAVOR STRIPS-10 | 1 |
| 4747097 | PROD.ID LBL/FLAVR STRIP INST | 1 |
| 4840053 | SET UP GUIDE-CAN/COLD FD/FZN | 1 |
| 4977228 | SPACER-PROD.LABEL-AUSTRALIA | 3 |
| 5920012 | BAG-PLASTIC-12 X 15 | 1 |

Expanded Refreshment Center Parts Manual

TABLE 82. BAG ASSEMBLY B4640011

| PART NUMBER | DESCRIPTION | QTY. |
|-------------|---------------------------------|------|
| B4640011 | BAG ASSEMBLY: 27 (SOUTH AFRICA) | - |
| WD167003 | W.D.230V SNK.-CHIL/CAN/COF/M | 1 |
| 1470041 | PLASTIC BAG | 1 |
| 1472274 | PRICE ROLL-UK-1L/10L,8P/35P | 32 |
| 1477071 | PACKAGE ASSY-PRODUCT PUSHER | 1 |
| 1477083 | RETAINER-SPIRAL-WALL | 10 |
| 1477123 | PRICE ROLL-0TO25-UK/GER/FR(K | 32 |
| 1572205 | ROLL-PRICE-UK-36PTO62P+FREE | 32 |
| 1572206 | ROLL-PRICE-UK,63P TO 90P, KB | 32 |
| 1575083 | COIN CHUTE & BRACKET ASSEMBL | 1 |
| 1575086 | INSTR.SHEET-COIN CHUTE & BRK | 1 |
| 1577061 | LABEL-ITEM LETTERS-A0-A9-U.K | 1 |
| 1577062 | LABEL-ITEM LETTERS-B0-B9-U.K | 1 |
| 1577063 | LABEL-ITEM LETTERS-C0-C9-U.K | 1 |
| 1577064 | LABEL-ITEM LETTERS-D0-D9-U.K | 1 |
| 1577065 | LABEL-ITEM LETTERS-E0-E9-U.K | 1 |
| 1577066 | LABEL-ITEM LETTERS-F0-F9-U.K | 1 |
| 1670001 | MAIN SNACK SET-UP GUIDE | 1 |
| 1670024 | SNACK/RC PROGRAMMING GUIDE | 1 |
| 1670034 | LABEL-SUREVEND LOGO-3.75"WID | 1 |
| 1679057 | LIST-HARNESSES | 1 |
| 2360036 | BAG PACKING | 1 |
| 4612001 | DECAL-"CHILLED FOR FRESHNESS | 1 |

Expanded Refreshment Center Parts Manual

TABLE 83. BAG ASSEMBLY B4840001

| <i>PART NUMBER</i> | <i>DESCRIPTION</i> | <i>QTY</i> |
|--------------------|--|------------|
| B4840001 | BAG ASSEMBLY-FOOD-11-12 (AUSTRALIA, NEW ZEALAND) | - |
| WD167003 | W.D.230V SNK.-CHIL/CAN/COF/M | 1 |
| WD484012 | W.D.-COLD/FROZEN MODULE | 1 |
| 1477015 | ROLL-PRICE DOLLARS KB | 12 |
| 1477083 | RETAINER-SPIRAL-WALL | 10 |
| 1575107 | TAG-PRICE-G&M-.25-1.55 | 1 |
| 1577047 | LABEL-ITEM LETTERS-A0-A9 | 1 |
| 1577048 | LABEL-ITEM LETTERS-B0-B9 | 1 |
| 1577049 | LABEL-ITEM LETTERS-C0-C9 | 1 |
| 1577050 | LABEL-ITEM LETTERS-D0-D9 | 1 |
| 1577051 | LABEL-ITEM LETTERS-E0-E9 KB | 1 |
| 1577052 | LABEL-ITEM LETTERS-F0-F9 KB | 1 |
| 1670001 | MAIN SNACK SET-UP GUIDE | 1 |
| 1670024 | SNACK/RC PROGRAMMING GUIDE | 1 |
| 1679057 | LIST-HARNESSES | 1 |
| 2360036 | BAG PACKING | 3 |
| 3158008 | ELBOW W/TAPE ASSEMBLY | 1 |
| 4840042 | LIST-BAG ASSY B4840001-CONTE | 1 |
| 4840053 | SET UP GUIDE-CAN/COLD FD/FZN | 1 |
| 5920012 | BAG-PLASTIC-12 X 15 | 1 |

Expanded Refreshment Center Parts Manual

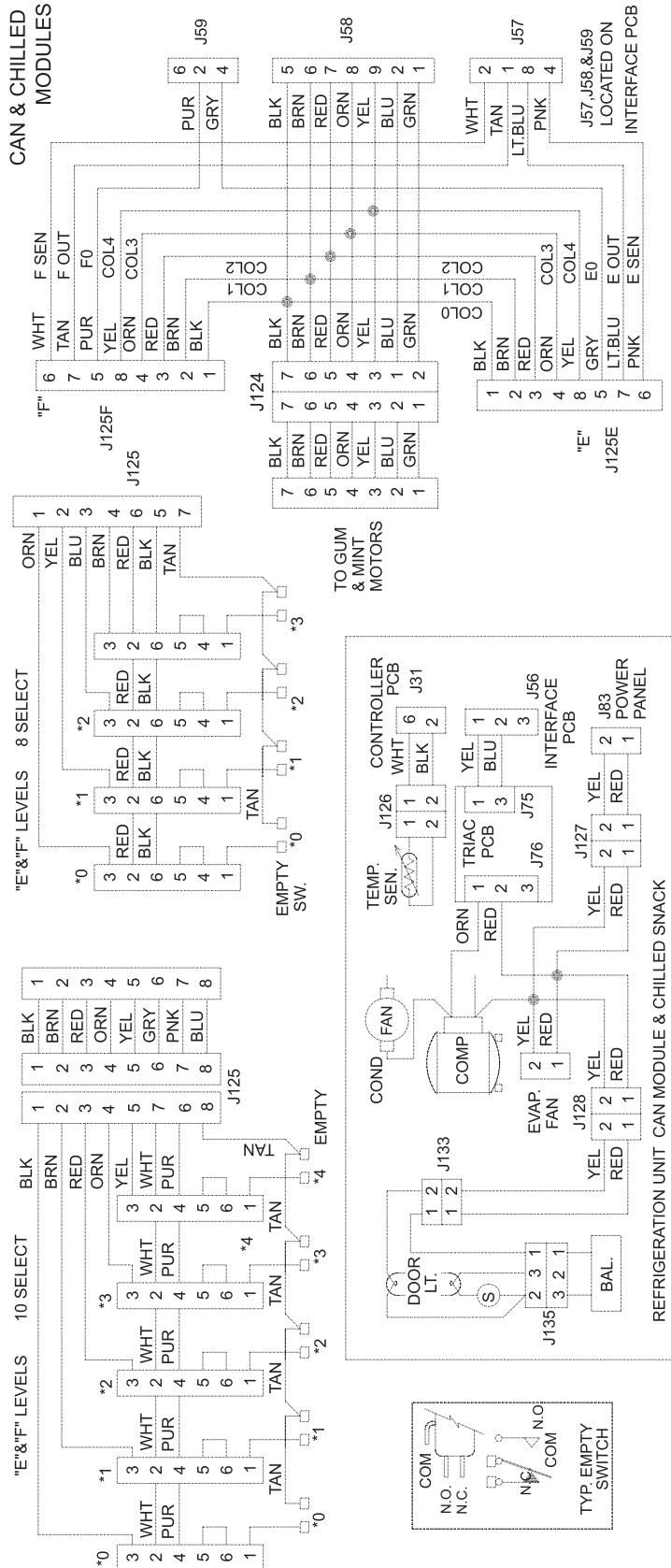


Figure 73. Wiring Diagram (Part 2)

Expanded Refreshment Center Parts Manual

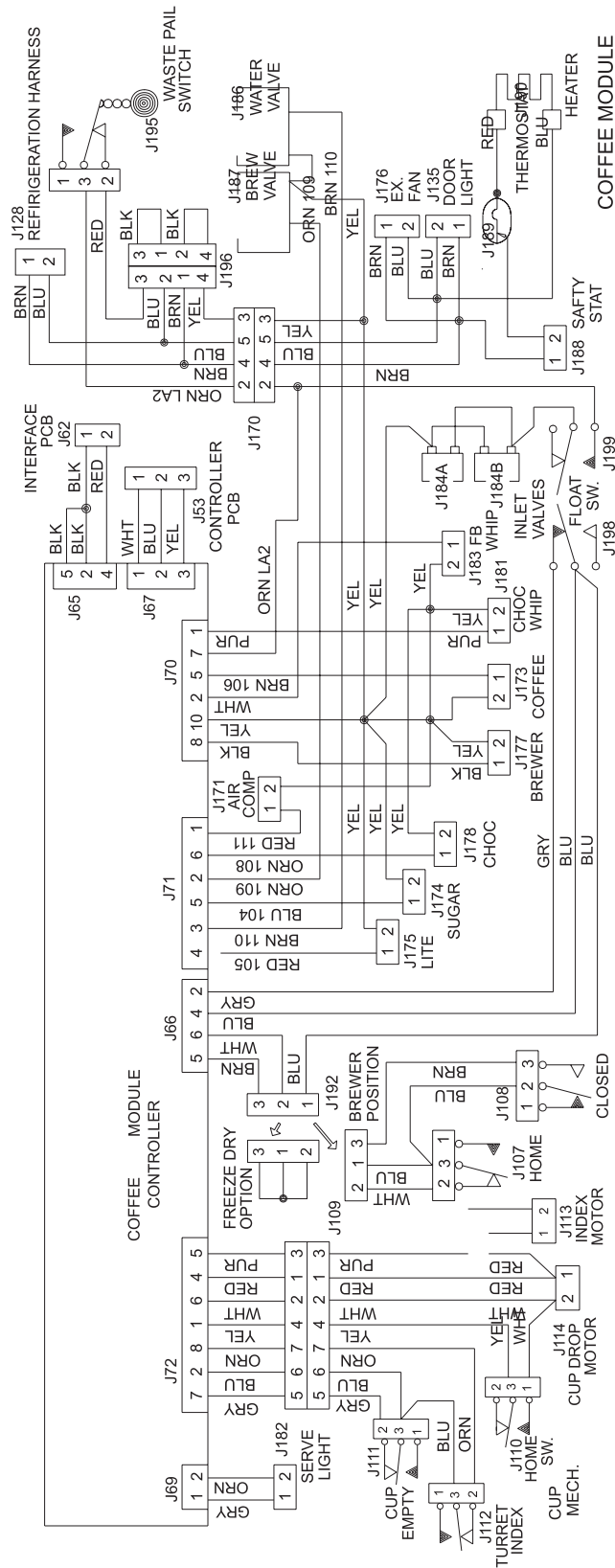


Figure 74. Wiring Diagram (Part 3)

Expanded Refreshment Center Parts Manual

TABLE 74. WIRE HARNESESSES

| CONNECTOR | DESCRIPTION | PART NUMBER |
|-----------|--------------------------|----------------------|
| J23A | HARNESS JAPAN | 1579048 |
| J23B | HARNESS JAPAN | 1579048 |
| J27 | HARNESS EXEC | 1679050 |
| J30 | CABLE RIBBON | 1579008 |
| J33 | HARNESS DISPLAY TO CNTRL | 1599200 |
| J34 | HARNESS SUREVEND | 1679012 |
| J35 | HARNESS POWER | 4859002 |
| J36 | HARNESS IR DATA / DEX | 1679056 / 1689054 |
| J37 | 24VAC | 9989750 |
| J38 | 24VDC | 9989750 |
| J39 | HARNESS MDB | 9989706 |
| J40 | HARNESS DUMB MECH | 1671011 |
| J41 | SERIAL VAL | 1679053 |
| J42 | HARNESS - MARS PULSE | 1679052 |
| J45 | HARNESS DISPLY TO CNTRL | 1599200 |
| J46 | CUSTOMER KEY PAD | 7215019 |
| J47 | FREE VEND KEYSWITCH | 9989639 |
| J48 | JUMPER DOOR SWITCH | 1579009 |
| J49 | SERVICE KEYPAD | 1575046 |
| J50 | HARNESS IR DATA | 1689094 |
| J55 | CABLE RIBBON | 1579008 |
| J57 | JUMPER - CAN/ G&M | 4974023 |
| J58 | JUMPER - CAN/ G&M | 4974023 |
| J59 | HARNESS CHANNEL 6 TRAY | 1599009 |
| J60 | HARNESS CHANNEL 6 TRAY | 1599009 |
| J61 | HARNESS PCB & COIN | 9989750 |
| J63 | NOT USED | ---- |
| J65 | HARNESS POWER | 4859002 |
| J66 | HARNESS BREWER | 4859003 |
| J67 | HARNESS POWER | 4859002 |
| J69 | HARNESS COFFEE | 4859000 |
| J70 | HARNESS COFFEE | 4859000 |
| J71 | HARNESS COFFEE | 4859000 |
| J72 | JUMPER MOD TO BREWER | 4859005 |
| J76 | HARNESS PWR TO COFFEE | 4751082 |
| J81 | HARNESS 24V PCB | 9989750 |
| J82 | JUMPER POWER TO EX. FAN | 1579021 |

Expanded Refreshment Center Parts Manual

TABLE 74. WIRE HARNESES (CONTINUED)

| CONNECTOR | DESCRIPTION | PART NUMBER |
|-----------|---------------------------|--------------------------|
| J83 | JUMPER, POWER TO DOOR LT | 1579022 |
| J87 | HARNESS 120 COIN ADAPTER | 1679002 |
| J90 | JUMPER INTERLOCK | 1579010 |
| J91 | JUMPER INTERLOCK | 1579010 |
| J93A | HARNESS - PCB & COIN | 9989750 |
| J94 | HARNESS POWER PANEL | 1709001 |
| J97 | JUMPER GFI & FILTER | 1579051 |
| J100 | JUMPER DOOR SWITCH | 1579009 / RC3 4751082 |
| J102 | HARNESS - SERIAL VAL | 1679053 |
| J105 | HARNESS - MARS PULSE | 1679052 |
| J107 | HARNESS BREWER | 4731096 |
| J108 | HARNESS BREWER | 4731096 |
| J109 | HARNESS CUP MECH | 4733039 |
| J110 | HARNESS CUP MECH | 4733039 |
| J111 | HARNESS CUP MECH | 4733039 |
| J112 | HARNESS CUP MECH | 4733039 |
| J113 | HARNESS CUP MECH | 4733039 |
| J114 | HARNESS CUP MECH | 4733039 |
| J121 | JUMPER GUM & MINT | 1579024 |
| J124 | JUMPER - CAN/ G&M | 4974023 |
| J125 | HARNESS CAN EJECTOR 5 CAN | 4977050 |
| J125 | HARNESS CAN EJECTOR 4 CAN | 4849028 |
| J125E | JUMPER - CAN/ G&M | 4974023 |
| J125F | JUMPER - CAN/ G&M | 4974023 |
| J125H | JUMPER - CAN/ G&M | 4974023 |
| J126 | JUMPER TEMP, CAN | 4979005 |
| J127 | JUMPER PWR TO COMP | 4849002 |
| J128 | JUMPER 120V | 1579052 / CAN 4849025 |
| J133 | HARNESS LIGHT & FILTER | 1679006 |
| J135 | HARNESS SIDE PANEL | 4849015 |
| J151 | HARNESS - EXEC LONG | 1679050 |
| J153 | HARNESS EVAP FAN | 4982002 |
| J170 | HARNESS COFFEE | 4859000 |
| J171 | HARNESS COFFEE | 4859000 |
| J173 | HARNESS COFFEE | 4859000 |
| J174 | HARNESS COFFEE | 4859000 |

Expanded Refreshment Center Parts Manual

TABLE 74. WIRE HARNESES (CONTINUED)

| CONNECTOR | DESCRIPTION | PART NUMBER |
|-----------|------------------------------|-------------|
| J175 | HARNESS COFFEE | 4859000 |
| J176 | HARNESS COFFEE | 4859000 |
| J177 | HARNESS COFFEE | 4859000 |
| J178 | HARNESS COFFEE | 4859005 |
| J181 | HARNESS COFFEE | 4859000 |
| J182 | INDICATOR | 4852084 |
| J183 | HARNESS COFFEE | 4859000 |
| J184A | HARNESS COFFEE | 4859000 |
| J184B | HARNESS COFFEE | 4859000 |
| J186 | HARNESS COFFEE | 4859000 |
| J187 | HARNESS COFFEE | 4859000 |
| J188 | HARNESS COFFEE | 4859000 |
| J189 | HARNESS COFFEE | 4859000 |
| J190 | HARNESS COFFEE | 4859000 |
| J192 | HARNESS BREWER | 4859003 |
| J195 | HARNESS PWR TO COFFEE | 4859005 |
| J196 | HARNESS COFFEE MOD | 4859005 |
| J199 | HARNESS COFFEE | 4859000 |
| J200 | HARNESS MUG SWITCH | 4751184 |
| J201A | JUMPER BOOST TRANSFORMER | 1579052 |
| J201B | JUMPER BOOST TRANSFORMER | 1579052 |
| J228A | JUMPER JAPAN | 1579048 |
| J228B | JUMPER JAPAN | 1579048 |
| J231 | HARNESS SUREVEND EMIT TO DET | 1679013 |
| J232 | HARNESS SUREVEND EMIT TO DET | 1679013 |

Expanded Refreshment Center Parts Manual

| | |
|---|--|
| <p>Symbols</p> <p>14111091 65</p> <p>Numerics</p> <p>1 67</p> <p>1127808 53, 87</p> <p>1172190 45</p> <p>1172191 45</p> <p>1211112 67</p> <p>1211141 63</p> <p>1217159 117, 135</p> <p>1217160 117</p> <p>1302289 45</p> <p>1302290 45</p> <p>1302291 45</p> <p>1302324 45</p> <p>1302326 45</p> <p>1401110 85</p> <p>1412046 127</p> <p>1451097 127, 135</p> <p>1451124 155</p> <p>1452139 135</p> <p>1452312 127</p> <p>1457027 117</p> <p>1457061 107</p> <p>1457062 107</p> <p>1457063 107</p> <p>1457064 107</p> <p>1457065 107</p> <p>1457099 117</p> <p>1467127 105</p> <p>1467128 105</p> <p>1467129 105</p> <p>1467130 105</p> <p>1467131 105</p> <p>1467136 105</p> <p>1467137 105, 107</p> <p>1471098 67</p> <p>1471237 67</p> <p>1472048 37</p> <p>1472222 7</p> <p>1472223 85</p> <p>1472251 89</p> <p>1472454 113</p> <p>1475026 87</p> <p>1475053 95</p> <p>1475072 87</p> <p>1475089 89</p> | <p>1475099 87</p> <p>1475107 95</p> <p>1475119 155</p> <p>1477014 97, 101, 105, 113</p> <p>1477015 113</p> <p>1477017 97, 101, 105</p> <p>1477020 99</p> <p>1477022 99</p> <p>1477023 107</p> <p>1477024 107</p> <p>1477026 107</p> <p>1477027 107</p> <p>1477029 107</p> <p>1477030 107</p> <p>1477032 107</p> <p>1477033 107</p> <p>1477035 107</p> <p>1477038 107</p> <p>1477039 107</p> <p>1477041 107</p> <p>1477042 107</p> <p>1477044 107</p> <p>1477045 107</p> <p>1477047 107</p> <p>1477048 107</p> <p>1477050 107</p> <p>1477051 107</p> <p>1477053 107</p> <p>1477054 107</p> <p>1477056 107</p> <p>1477057 107</p> <p>1477059 107</p> <p>1477060 107</p> <p>1477062 107</p> <p>1477063 107</p> <p>1477073 107</p> <p>1477097 97, 101, 105</p> <p>1477098 107</p> <p>1477099 107</p> <p>1477100 107</p> <p>1477101 107</p> <p>1477102 107</p> <p>1477103 107</p> <p>1477104 107</p> <p>1477105 107</p> <p>1477106 107</p> <p>1477107 107</p> |
|---|--|

Expanded Refreshment Center Parts Manual

| | | | |
|---------------|--------------|---------------|-------------------|
| 1477113 | 99, 103, 107 | 1571035 | 69 |
| 1477114 | 107 | 1571040 | 69 |
| 1477134 | 97, 101, 105 | 1571079 | 87 |
| 1477141 | 101 | 1571112 | 63 |
| 1477148 | 97, 101, 105 | 1571115 | 67 |
| 1477149 | 107 | 1571127 | 67 |
| 1477150 | 107 | 1572013 | 85 |
| 1477152 | 107 | 1572014 | 87 |
| 1477153 | 107 | 1572015 | 87 |
| 1477155 | 107 | 1572020 | 37 |
| 1477156 | 107 | 1572186 | 47 |
| 1477157 | 97, 101, 105 | 1572187 | 47 |
| 1477175 | 97, 101, 105 | 1572188 | 47 |
| 1477178 | 107 | 1572209 | 7 |
| 1477179 | 107 | 1572210 | 7 |
| 1479052 | 55 | 1572213 | 7 |
| 1479053 | 57 | 1572243 | 37 |
| 1479064 | 57 | 1572323 | 7 |
| 1479075 | 57 | 1575001 | 89 |
| 1479076 | 57 | 1575003 | 87 |
| 1479077 | 57 | 1575010 | 89 |
| 1479078 | 57 | 1575013 | 87 |
| 1479079 | 57 | 1575020 | 87 |
| 1479080 | 57 | 1575043 | 89 |
| 1479081 | 55 | 1575048 | 87, 93 |
| 1479082 | 55 | 1575049 | 87 |
| 1479083 | 55 | 1575050 | 95 |
| 1479084 | 55 | 1575091 | 89 |
| 1479089 | 57 | 1575094 | 85 |
| 1479092 | 57 | 1575098 | 85, 89 |
| 1479095 | 57 | 1575099 | 85, 89 |
| 1479097 | 57 | 1576008 | 63 |
| 1479098 | 57 | 1577000 | 55 |
| 1479099 | 57 | 1577013 | 113 |
| 1479101 | 55 | 1577014 | 113 |
| 1479103 | 55 | 1577035 | 99, 103, 107, 117 |
| 1479104 | 55 | 1577040 | 97, 101, 105 |
| 1479105 | 55 | 1577061 | 18 |
| 1479106 | 57 | 1577062 | 18 |
| 1479117 | 57 | 1577063 | 18 |
| 1479119 | 55 | 1577064 | 18 |
| 1479120 | 57, 127 | 1577065 | 18 |
| 1479125 | 55 | 1577066 | 18 |
| 1479136 | 57 | 1579003 | 155 |
| 1479139 | 57 | 1579005 | 95, 156 |
| 1489005 | 59 | 1579006 | 95, 156 |
| 1489008 | 57 | 1579008 | 156 |

Expanded Refreshment Center Parts Manual

| | | | |
|---------------|------------------|---------------|---------|
| 1579009 | 156 | 3122056 | 57 |
| 1579010 | 157 | 3127034 | 135 |
| 1579012 | 57, 157 | 3502097 | 99, 107 |
| 1579013 | 69, 158 | 3502907 | 103 |
| 1579017 | 69, 158 | 3608149 | 154 |
| 1579021 | 159 | 3618157 | 154 |
| 1579028 | 95, 159 | 4047056 | 113 |
| 1579032 | 95, 160 | 4119013 | 154 |
| 1579034 | 95, 160 | 4246307 | 57 |
| 1579050 | 95, 160 | 4279001 | 165 |
| 1582005 | 161 | 4304092 | 154 |
| 1582084 | 36 | 4407077 | 135 |
| 1582093 | 36 | 4407079 | 135 |
| 1582095 | 36 | 4407080 | 135 |
| 1582141 | 36 | 4407084 | 135 |
| 1582201 | 36 | 4407093 | 135 |
| 1587000 | 55 | 4407101 | 127 |
| 1597001 | 97 | 4407103 | 127 |
| 1597002 | 101 | 4407131 | 135 |
| 1597003 | 105 | 4407157 | 135 |
| 1599010 | 161 | 4407616 | 149 |
| 1599012 | 99 | 4407712 | 149 |
| 1599013 | 103, 107 | 4644007 | 154 |
| 1599017 | 161 | 4646004 | 154 |
| 1599019 | 159, 162 | 4721035 | 113 |
| 1600851 | 94 | 4724124 | 154 |
| 1602026 | 36 | 4744044 | 154 |
| 1672027 | 87 | 4744106 | 154 |
| 1677171 | 57 | 4744108 | 154 |
| 1679056 | 159 | 4744109 | 154 |
| 1709000 | 163 | 4744112 | 154 |
| 1709001 | 164 | 4744573 | 154 |
| 1709002 | 165 | 4747031 | 117 |
| 1709006 | 165 | 4747036 | 117 |
| 2204092 | 117 | 4747062 | 111 |
| 2222031 | 47, 97, 101, 105 | 4747715 | 111 |
| 2226380 | 113 | 4747718 | 121 |
| 2228011 | 135 | 4774027 | 154 |
| 2272052 | 45 | 4774087 | 154 |
| 2302053 | 7 | 4774089 | 154 |
| 2304109 | 135 | 4774122 | 154 |
| 2306488 | 135 | 4841012 | 69 |
| 2366091 | 117 | 4844000 | 154 |
| 2366135 | 63 | 4844001 | 154 |
| 3103029 | 149 | 4844014 | 154 |
| 3112163 | 45 | 4844015 | 154 |
| 3112164 | 45 | 4844024 | 154 |

Expanded Refreshment Center Parts Manual

| | | | |
|---------------|----------|---------------|-----|
| 4846005 | 154 | 4976044 | 113 |
| 4849002 | 165 | 4976045 | 113 |
| 4849003 | 165 | 4976046 | 113 |
| 4849008 | 166 | 4976048 | 113 |
| 4849016 | 166 | 4976050 | 121 |
| 4849020 | 166 | 4976055 | 121 |
| 4849022 | 167 | 4976058 | 121 |
| 4849023 | 168 | 4976066 | 127 |
| 4849025 | 169 | 4976067 | 127 |
| 4849027 | 169 | 4976069 | 127 |
| 4874002 | 154 | 4976070 | 121 |
| 4875001 | 85 | 4976072 | 127 |
| 4972101 | 37 | 4976081 | 127 |
| 4972107 | 37 | 4976105 | 145 |
| 4974000 | 109, 154 | 4977000 | 109 |
| 4974007 | 109 | 4977030 | 115 |
| 4974009 | 109 | 4977031 | 115 |
| 4974012 | 109 | 4977032 | 115 |
| 4974015 | 109 | 4977033 | 117 |
| 4974016 | 109 | 4977034 | 117 |
| 4974019 | 109 | 4977035 | 117 |
| 4974022 | 109, 154 | 4977036 | 111 |
| 4974023 | 170 | 4977038 | 117 |
| 4974025 | 154 | 4977039 | 117 |
| 4974037 | 154 | 4977040 | 115 |
| 4974040 | 154 | 4977041 | 117 |
| 4974045 | 154 | 4977048 | 115 |
| 4974050 | 154 | 4977049 | 115 |
| 4974052 | 170 | 4977050 | 171 |
| 4975056 | 115 | 4977052 | 111 |
| 4976000 | 111 | 4977053 | 111 |
| 4976001 | 111 | 4977054 | 111 |
| 4976002 | 111 | 4977056 | 117 |
| 4976014 | 113 | 4977057 | 171 |
| 4976015 | 113 | 4977059 | 111 |
| 4976024 | 113 | 4977060 | 121 |
| 4976025 | 113 | 4977065 | 111 |
| 4976028 | 113 | 4977310 | 149 |
| 4976029 | 113 | 4977312 | 149 |
| 4976030 | 113 | 4977315 | 149 |
| 4976031 | 113 | 4977316 | 149 |
| 4976032 | 113 | 4977322 | 149 |
| 4976037 | 113 | 4977323 | 149 |
| 4976038 | 113 | 4977325 | 149 |
| 4976039 | 113 | 4977334 | 149 |
| 4976040 | 113 | 4977335 | 149 |
| 4976042 | 111 | 4977347 | 149 |

Expanded Refreshment Center Parts Manual

| | |
|----------------------------|----------------------------|
| 4979000 172 | 5900244 94 |
| 4979001 172 | 5900245 95 |
| 4979002 162 | 5900247 95 |
| 4979003 149, 173 | 5900248 95 |
| 4979004 173 | 6133152 55 |
| 4979005 174 | 6231034 67 |
| 4979006 149, 174 | 6231163 67 |
| 4979007 175 | 6231189 109 |
| 4979008 176 | 6231203 67 |
| 4979009 177 | 6231216 109 |
| 4984015 154 | 6231229 109 |
| 4984016 154 | 6232290 109 |
| 4984022 154 | 6335002 87 |
| 4984023 154 | 6339006 177 |
| 4984024 154 | 6339017 177 |
| 4984047 154 | 6400002 94 |
| 4984048 154 | 6400003 94 |
| 4987000 109 | 9900023 135 |
| 5201086 135 | 9900030 97, 101, 105 |
| 5201267 97, 101, 105 | 9900081 47, 53, 93 |
| 5220113 121 | 9900098 53, 135 |
| 5305318 117 | 9900118 127 |
| 5307321 94 | 9900166 127 |
| 5560113 97, 101, 105 | 9900206 117 |
| 5900094 94 | 9900218 67 |
| 5900096 94 | 9900425 57, 121 |
| 5900112 94 | 9984094 178 |
| 5900116 94 | 9984165 69, 178 |
| 5900182 95 | 9984625 89 |
| 5900192 94 | 9984629 69 |
| 5900193 95 | 9985043 178 |
| 5900198 95 | 9989042 69 |
| 5900205 95 | 9989100 69 |
| 5900209 94 | 9989117 178 |
| 5900210 95 | 9989336 69 |
| 5900213 94 | 9989560 179 |
| 5900214 94 | 9989576 179 |
| 5900216 94 | 9989577 179 |
| 5900217 94 | 9989639 85 |
| 5900221 95 | 9989659 69 |
| 5900222 94 | 9989672 69 |
| 5900233 95 | 9989685 87 |
| 5900234 95 | 9989687 63 |
| 5900237 94 | 9989706 179 |
| 5900240 94 | 9989712 180 |
| 5900242 94, 95 | 9989718 95, 180 |
| 5900243 94 | 9989750 180 |

Expanded Refreshment Center Parts Manual

| | |
|-----------------|----|
| 9992400 | 45 |
| B | |
| B4640011 | 21 |
| b4970000 | 14 |
| b4970003 | 18 |
| b4970005 | 20 |
| b4970006 | 14 |
| b4970007 | 18 |
| b4970008 | 21 |
| b4980000 | 16 |
| b4980001 | 15 |
| b4980002 | 19 |
| b4980003 | 17 |
| b4980004 | 16 |
| b4980005 | 17 |
| b4980006 | 19 |
| b4980007 | 15 |
| N | |
| nb4970001 | 20 |